

Metalized Plastic Hoods

DTPK-M+Screw Type Connector

TECHNICAL SPECIFICATIONS

D-Sub Hood:

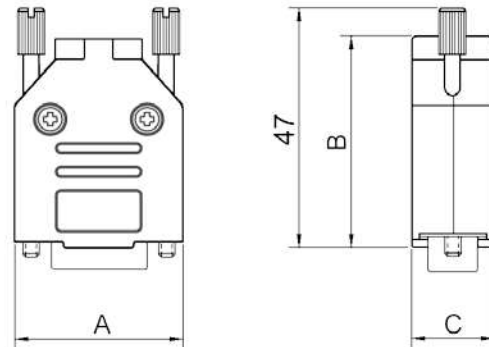
| | |
|------------------------|----------------------------|
| Material: | UL 94 V-0 Plastic Material |
| Plating: | Nickel over Copper |
| Operating Temperature: | -55°C to +110°C |
| Cable Entry: | Top Entry |
| Thumbscrews: | UNC 4-40 (Standard) |
| Cable O.D: | Up to 11,5mm |

D-Sub Screw Connector:

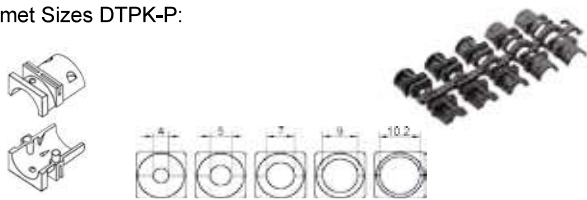
| | |
|------------------------|--|
| Insulator: | Glass filled TP, UL94 V-0 |
| Shell: | Steel, Tin Plated |
| Contact pins: | Machined Brass pins 15µ" Gold plated over Ni. |
| AWG Wire Size: | AWG 18 |
| Contact Plating: | Gold flash over Nickel |
| Operating Temperature: | -55°C to +85°C |
| Withstanding voltage: | >1000V Rms to 50 Hz for 1 minute |
| Current Rating: | 7.5A |
| Insulator resistance: | >5000MΩ min. |

Features:

- Available in sizes 9-15-25
- 360° EMI Shielding
- Re-openable



Grommet Sizes DTPK-P:



| Size DTPK-M | Dim A | Dim B | Dim C |
|-------------|-------|-------|-------|
| 9-way | 31,2 | 39,9 | 15,0 |
| 15-way | 39,5 | 41,5 | 15,0 |
| 25-way | 53,4 | 48,6 | 15,0 |

Ordering information:

Screw Connector D-Sub Connector Kits

| Size: | P/N - Kitted: | Description: |
|--------|--------------------------|---------------------|
| 9-way | L17DTPK-M-09+L717DE09PST | Screw type, 9-Male |
| 15-way | L17DTPK-M-15+L717DA15PST | Screw type, 15-Male |
| 25-way | L17DTPK-M-25+L717DB25PST | Screw type, 25-Male |

| Size: | P/N - Kitted: | Description: |
|--------|-------------------------|-----------------------|
| 9-way | L17DTPK-M-09+L77DE09SST | Screw type, 9-Female |
| 15-way | L17DTPK-M-15+L77DA15SST | Screw type, 15-Female |
| 25-way | L17DTPK-M-25+L77DB25SST | Screw type, 25-Female |