

## Metalized Plastic Hoods

## DTPK-M+Screw Type Connector

### TECHNICAL SPECIFICATIONS

#### D-Sub Hood:

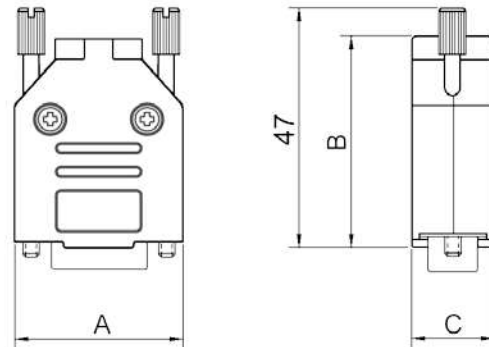
Material:	UL 94 V-0 Plastic Material
Plating:	Nickel over Copper
Operating Temperature:	-55°C to +110°C
Cable Entry:	Top Entry
Thumbscrews:	UNC 4-40 (Standard)
Cable O.D:	Up to 11,5mm

#### D-Sub Screw Connector:

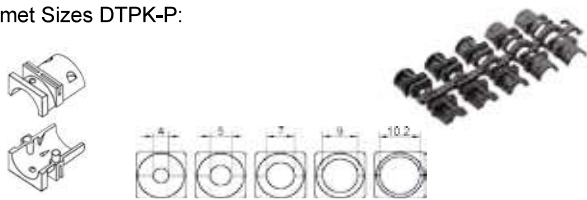
Insulator:	Glass filled TP, UL94 V-0
Shell:	Steel, Tin Plated
Contact pins:	Machined Brass pins 15µ" Gold plated over Ni.
AWG Wire Size:	AWG 18
Contact Plating:	Gold flash over Nickel
Operating Temperature:	-55°C to +85°C
Withstanding voltage:	>1000V Rms to 50 Hz for 1 minute
Current Rating:	7.5A
Insulator resistance:	>5000MΩ min.

#### Features:

- Available in sizes 9-15-25
- 360° EMI Shielding
- Re-openable



Grommet Sizes DTPK-P:



Size DTPK-M	Dim A	Dim B	Dim C
9-way	31,2	39,9	15,0
15-way	39,5	41,5	15,0
25-way	53,4	48,6	15,0

### Ordering information:

### Screw Connector D-Sub Connector Kits

Size:	P/N - Kitted:	Description:
9-way	L17DTPK-M-09+L717DE09PST	Screw type, 9-Male
15-way	L17DTPK-M-15+L717DA15PST	Screw type, 15-Male
25-way	L17DTPK-M-25+L717DB25PST	Screw type, 25-Male

Size:	P/N - Kitted:	Description:
9-way	L17DTPK-M-09+L77DE09SST	Screw type, 9-Female
15-way	L17DTPK-M-15+L77DA15SST	Screw type, 15-Female
25-way	L17DTPK-M-25+L77DB25SST	Screw type, 25-Female