

TECHNICAL SPECIFICATIONS
D-Sub Hood:

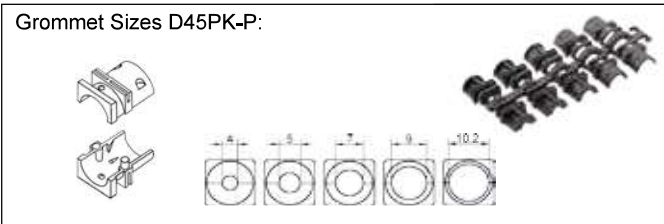
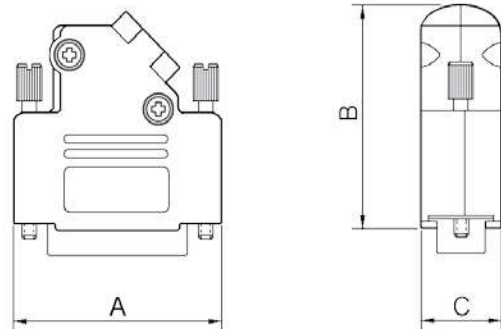
Material: UL 94 V-0 Plastic Material
 Plating: Nickel over Copper
 Operating Temperature: -55°C to +110°C
 Cable Entry: Top Entry
 Thumbscrews: UNC 4-40 (Standard)
 Cable O.D: Up to 11,5mm

High Density D-Sub Solder Cup:

Insulator: Glass filled TP, UL94 V-0
 Shell: Steel, Tin Plated
 Contact pins: Copper Alloy
 Gold Flash over Ni.
 Stamped & Formed Pins: Class 3, 100 inserts min.
 Contact Plating: Gold flash over Nickel
 Operating Temperature: -55°C to +85°C
 Withstanding voltage: >1000V Rms to 50 Hz
 for 1 minute
 Current Rating: 3A
 Insulator resistance: >5000MΩ min.

Features:

- Available in sizes HD 15-26-44-62
- 360° EMI Shielding
- Re-openable



Size D45PK-M	Dim A	Dim B	Dim C
9-way	31,0	36,3	15,0
15-way	39,5	40,3	15,0
25-way	53,2	40,3	15,0
37-way	69,7	40,3	15,0

Ordering information:
High Density D-Sub Connector Kits

Size:	P/N - Kitted:	Description:
HD 15	L17D45PK-M-09+L717HDE15P	Solder Cup, 15-Male
HD 26	L17D45PK-M-15+L717HDA26P	Solder Cup, 26-Male
HD 44	L17D45PK-M-25+L717HDB44P	Solder Cup, 44-Male
HD 62	L17D45PK-M-37+L717HDC62P	Solder Cup, 62-Male

Size:	P/N - Kitted:	Description:
HD 15	L17D45PK-M-09+L77HDE15S	Solder Cup, 15-Female
HD 26	L17D45PK-M-15+L77HDA26S	Solder Cup, 26-Female
HD 44	L17D45PK-M-25+L77HDB44S	Solder Cup, 44-Female
HD 62	L17D45PK-M-37+L77HDC62S	Solder Cup, 62-Female