

Full Metal Hoods

D45ZF-RG+Screw Type Connector

TECHNICAL SPECIFICATIONS

**D-Sub Hood:**

Material: Zinc, Nickel Plated  
 Operating Temperature: -45°C to + 105°C  
 Cable Entry: Side Entry  
 Thumbscrews: UNC 4-40 (Standard)

Cable O.D - Standard:

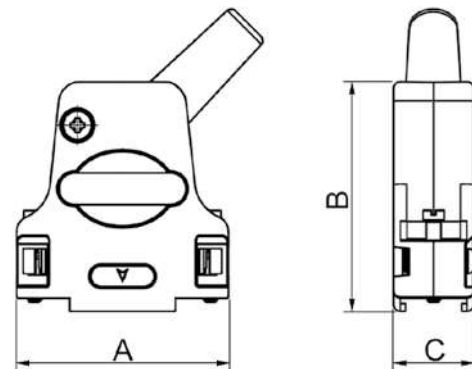
9-Way: Up to 6,5mm with grommet - 9,5mm without grommet  
 15-Way: Up to 6,5mm with grommet - 12,5mm without grommet  
 25-Way: Up to 8.0mm with grommet - 12,5mm without grommet

**D-Sub Screw Connector:**

Insulator: Glass filled TP, UL94 V-0  
 Shell: Steel, Tin Plated  
 Contact pins: Machined Brass pins  
 15µ" Gold plated over Ni.  
 AWG Wire Size: AWG 18  
 Contact Plating: Gold flash over Nickel  
 Operating Temperature: -55°C to +85°C  
 Withstanding voltage: >1000V Rms to 50 Hz  
 for 1 minute  
 Current Rating: 7.5A  
 Insulator resistance: >5000MΩ min.

**Features:**

- Available in sizes 9-15-25
- Excellent EMI Shielding
- Re-openable
- Spring-Clip mounted Jackscrews



| Size D45ZF | Dim A | Dim B | Dim C |
|------------|-------|-------|-------|
| 9-way      | 31,6  | 39,5  | 15,2  |
| 15-way     | 40,0  | 41,0  | 15,2  |
| 25-way     | 53,7  | 47,5  | 15,2  |
| 37-way     | 70,2  | 48,0  | 15,2  |

Ordering information:

Screw Connector D-Sub Connector Kits

| Size:  | P/N - Kitted:             | Description:        |
|--------|---------------------------|---------------------|
| 9-way  | L17D45ZF09-RG+L717DE09PST | Screw type, 9-Male  |
| 15-way | L17D45ZF15-RG+L717DA15PST | Screw type, 15-Male |
| 25-way | L17D45ZF25-RG+L717DB25PST | Screw type, 25-Male |

| Size:  | P/N - Kitted:            | Description:          |
|--------|--------------------------|-----------------------|
| 9-way  | L17D45ZF09-RG+L77DE09SST | Screw type, 9-Female  |
| 15-way | L17D45ZF15-RG+L77DA15SST | Screw type, 15-Female |
| 25-way | L17D45ZF25-RG+L77DB25SST | Screw type, 25-Female |