

# Straight SMA Square Flange Mount Jack Receptacle Tab Contact 0.005" × 0.025"



## Specifications

Connector Body Style : Straight Jack Receptacle  
Coaxial Termination : Solder  
Connector Mounting : Square Flange Mount

## Electrical Specifications

Frequency Range : DC 26.5GHz  
Nominal Impedance : 50Ω  
Voltage Rating : 500V Max.  
VSWR : 1.17 Max. @ 18GHz / 1.21 Max. @ 26.5GHz

## Material Specifications

Bodies : Stainless Steel per JIS SUS-303  
Centre Contact : Beryllium Copper per ASTM B196 UNS C17300  
Insulation : PTFE per ASTM D1457 and ASTM D1710

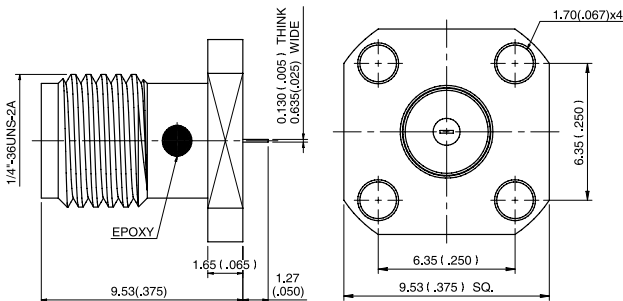
## Mechanical Specifications

Interface in accordance with : MIL-STD-348A

## Environmental Specification

Operating Temperature : -65°C to +165°C

## Diagram



No.	Description	Material	Finish
1	Body	Stainless Steel	Gold 3μ" Min.
2	Insulation	PTFE	-
3	Centre Contact	Beryllium Copper	Gold 50μ" Min.

Dimensions : Millimetres (Inches)

## Part Number Table

Description	Part Number
Straight SMA Square Flange Mount Jack Receptacle, Solder, 50Ω	MC002933

**Important Notice :** This data sheet and its contents (the "Information") belong to the members of the Premier Farnell group of companies (the "Group") or are licensed to it. No licence is granted for the use of it other than for information purposes in connection with the products to which it relates. No licence of any intellectual property rights is granted. The Information is subject to change without notice and replaces all data sheets previously supplied. The Information supplied is believed to be accurate but the Group assumes no responsibility for its accuracy or completeness, any error in or omission from it or for any use made of it. Users of this data sheet should check for themselves the Information and the suitability of the products for their purpose and not make any assumptions based on information included or omitted. Liability for loss or damage resulting from any reliance on the Information or use of it (including liability resulting from negligence or where the Group was aware of the possibility of such loss or damage arising) is excluded. This will not operate to limit or restrict the Group's liability for death or personal injury resulting from its negligence. Multicomp is the registered trademark of the Group. © Premier Farnell Limited 2016.

www.element14.com  
www.farnell.com  
www.newark.com

