

# Straight 1.0/2.3 PCB Mount Jack Receptacle



## Specifications

Connector Body Style : Straight Jack Receptacle  
 Coaxial Termination : Through Hole  
 Connector Mounting : PCB

## Electrical Specifications

Frequency Range : DC 6GHz  
 Nominal Impedance : 75Ω  
 Voltage Rating : 250V Max.  
 VSWR : 1.3 Max.

## Material Specifications

Bodies : Brass per JIS-C3604  
 Centre Contact : Beryllium Copper per ASTM B196 UNS C17300  
 Insulation : PTFE per ASTM D1457 and ASTM D1710

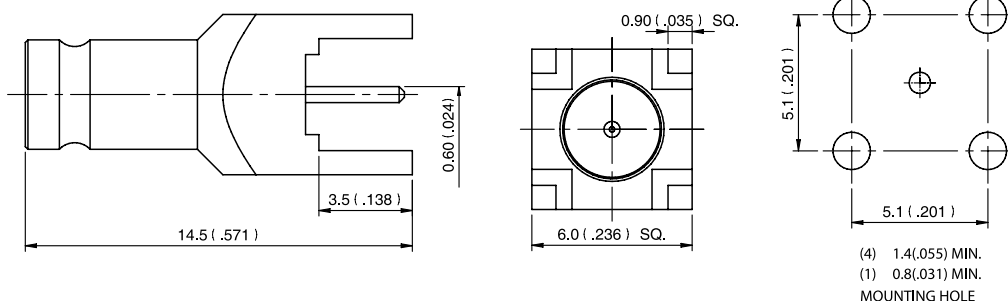
## Mechanical Specification

Interface in accordance with : DIN 41626-2

## Environmental Specification

Operating Temperature : -55°C to +125°C

## Diagram



Dimensions : Millimetres (Inches)

No.	Description	Material	Finish
1	Centre Contact	Beryllium Copper	Gold 30μ" Min.
2	Body	Brass	Gold 3μ" Min.
3	Insulation	PTFE	-

## Part Number Table

Description	Part Number
Straight 1.0/2.3 PCB Mount Jack Receptacle, 75Ω	MC002953

**Important Notice :** This data sheet and its contents (the "Information") belong to the members of the Premier Farnell group of companies (the "Group") or are licensed to it. No licence is granted for the use of it other than for information purposes in connection with the products to which it relates. No licence of any intellectual property rights is granted. The Information is subject to change without notice and replaces all data sheets previously supplied. The Information supplied is believed to be accurate but the Group assumes no responsibility for its accuracy or completeness, any error in or omission from it or for any use made of it. Users of this data sheet should check for themselves the Information and the suitability of the products for their purpose and not make any assumptions based on information included or omitted. Liability for loss or damage resulting from any reliance on the Information or use of it (including liability resulting from negligence or where the Group was aware of the possibility of such loss or damage arising) is excluded. This will not operate to limit or restrict the Group's liability for death or personal injury resulting from its negligence. Multicomp is the registered trademark of the Group. © Premier Farnell Limited 2016.

www.element14.com  
 www.farnell.com  
 www.newark.com

