

TECHNICAL SPECIFICATIONS
D-Sub Hood:

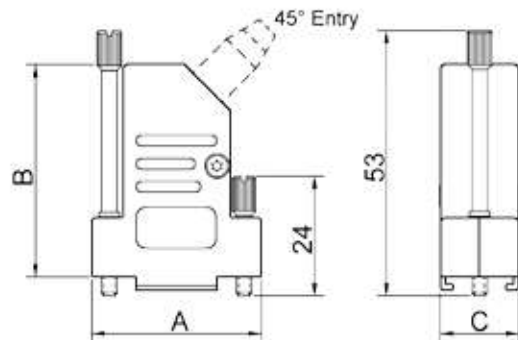
Material:	Zinc, Nickel Plated
Operating Temperature:	-40°C to +120°C
Cable Entry:	Side Entry Rubber Grommet RGS
Strain relief:	Clamp + Insert
Thumbscrews:	Long Jackscrews UNC 4-40 (Standard)
Cable O.D.:	Up to 11.5mm

High Density D-Sub Solder Cup:

Insulator:	Glass filled TP, UL94 V-0
Shell:	Steel, Tin Plated
Contact pins:	Copper Alloy
Stamped & Formed Pins	Class 3, 100 inserts min.
Contact Plating:	Gold flash over Nickel
Operating Temperature:	-55°C to +85°C
Withstanding voltage:	>1000V Rms to 50 Hz for 1 minute
Current Rating:	3A
Insulator resistance:	>5000MΩ min.

Features:

- Available in Sizes HD15-26-44-62
- Long Jackscrews
- 360° EMI Shielding
- Quick assembly
- Pre-mounted locking screws



Size DTSL	Dim A	Dim B	Dim C
9-way	32,2	42,0	15,0
15-way	40,8	42,3	15,0
25-way	54,0	42,3	15,0
37-way	70,5	48,0	15,0

Ordering information:
High Density D-Sub Connector Kits

Size:	P/N - Kitted:	Description:
15-way	L17DTSL09-LJS-RG-S+L717HDE15P	Solder Cup, 15-Male
26-way	L17DTSL15-LJS-RG-S+L717HDA26P	Solder Cup, 26-Male
44-way	L17DTSL25-LJS-RG-S+L717HDB44P	Solder Cup, 44-Male
62-way	L17DTSL37-LJS-RG-S+L717HDC62P	Solder Cup, 62-Male

Size:	P/N - Kitted:	Description:
15-way	L17DTSL09-LJS-RG-S+L77HDE15S	Solder Cup, 15-Female
26-way	L17DTSL15-LJS-RG-S+L77HDA26S	Solder Cup, 26-Female
44-way	L17DTSL25-LJS-RG-S+L77HDB44S	Solder Cup, 44-Female
62-way	L17DTSL37-LJS-RG-S+L77HDC62S	Solder Cup, 62-Female