

Full Metal Hoods

DTSL-LJS-RG-S+Screw Type Connector

TECHNICAL SPECIFICATIONS

D-Sub Hood:

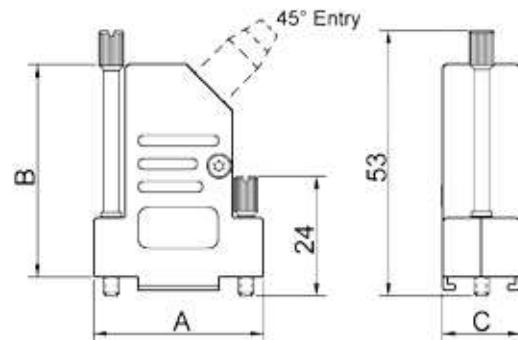
Material: Zinc, Nickel Plated
 Operating Temperature: -40°C to +120°C
 Cable Entry: Side Entry
 Rubber Grommet RGS
 Strain relief: Clamp + Insert
 Thumbscrews: **Long Jackscrews**
 UNC 4-40 (Standard)
 Cable O.D: Up to 11.5mm

D-Sub Screw Connector:

Insulator: Glass filled TP, UL94 V-0
 Shell: Steel, Tin Plated
 Contact pins: Machined Brass pins
 15µ" Gold plated over Ni.
 AWG Wire Size: AWG 18
 Contact Plating: Gold flash over Nickel
 Operating Temperature: -55°C to +85°C
 Withstanding voltage: >1000V Rms to 50 Hz
 for 1 minute
 Current Rating: 7.5A
 Insulator resistance: >5000MΩ min.

Features:

- Available in Sizes 9-15-25
- Long Jackscrews
- 360° EMI Shielding
- Quick assembly
- Pre-mounted locking screws



Size DTSL	Dim A	Dim B	Dim C
9-way	32,2	42,0	15,0
15-way	40,8	42,3	15,0
25-way	54,0	42,3	15,0

Ordering information:

Screw Connector D-Sub Connector Kits

Size:	P/N - Kitted:	Description:
9-way	L17DTSL09-LJS-RG-S+L717DE09PST	Solder Cup, 9-Male
15-way	L17DTSL15-LJS-RG-S+L717DA15PST	Solder Cup, 15-Male
25-way	L17DTSL25-LJS-RG-S+L717DB25PST	Solder Cup, 25-Male

Size:	P/N - Kitted:	Description:
9-way	L17DTSL09-LJS-RG-S+L77DE09SST	Solder Cup, 9-Female
15-way	L17DTSL15-LJS-RG-S+L77DA15SST	Solder Cup, 15-Female
25-way	L17DTSL25-LJS-RG-S+L77DB25SST	Solder Cup, 25-Female