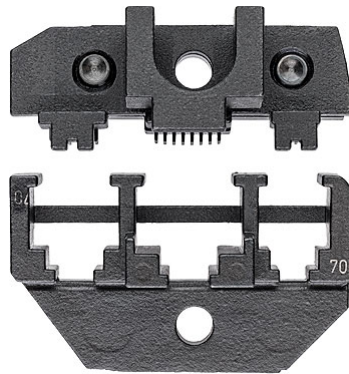


97 49 70

Crimping dies for Western plugs



Article No.	97 49 70
EAN	4003773030942
Applications	Western plugs
Capacity in square millimetres mm²	4, 6, 8-poles RJ 10 / 11 / 12 / 45
Number of crimping positions	3
Net weight g	72

technical change and errors excepted



Products

No.	EAN	
97 43 200	4003773030812	Crimp System Pliers for exchangeable crimping dies
97 43 E	4003773076858	
97 43 E AUS	4003773076872	
97 43 E UK	4003773076865	
97 43 E US	4003773077008	