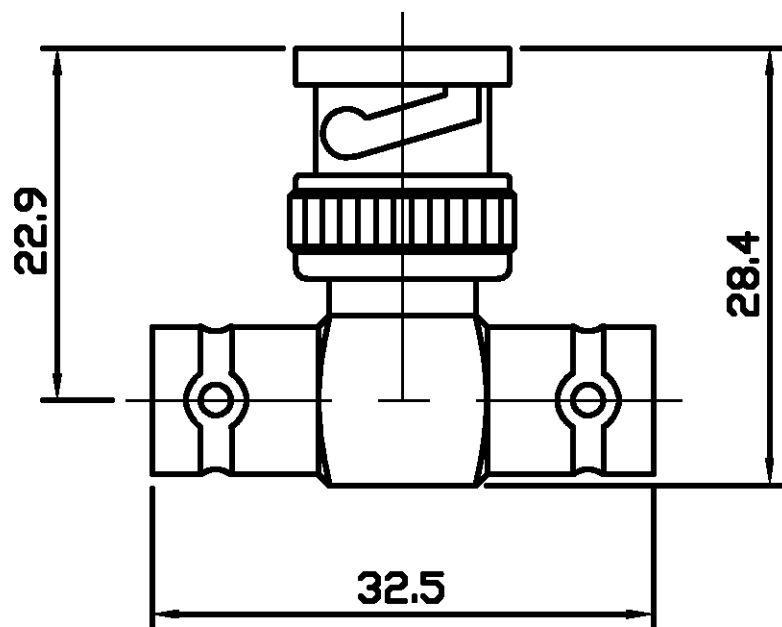


LOC	DIST	REVISIONS			
P	LTR	DESCRIPTION	DATE	DWN	APVD
E	B	A	RELEASE FOR PRODUCTION	04-09-01	RG FWK



ALL DIMENSIONS ARE NOMINAL.FOR REFERENCE ONLY.

PACK TYPE	DESCRIPTION	PART NUMBER
BAG	SINGLE ITEM	1-1478039-0

HANDTOOL PART NUMBER	N/A
FOR USE ON CABLES	N/A
CONNECTOR PLATING DETAIL	SILVER
CONTACT PLATING DETAIL	SILVER
DIELECTRIC MATERIAL	TEFLON
GASKET MATERIAL	WHITE SILICONE RUBBER

DIMENSIONS:		TOLERANCES UNLESS OTHERWISE SPECIFIED:	
MM			
	0 PLC	±	
	1 PLC	±	
	2 PLC	±	
	3 PLC	±	
	4 PLC	±	
ANGLES		±	
MATERIAL		FINISH	-

DWN	R GOODALL	04-09-01
CHK	F.W-KING	04-09-01
APVD	F.W-KING	04-09-01
PRODUCT SPEC	108-3435	
APPLICATION SPEC	CUSTOMER DRAWING	
WEIGHT		

		Tyco Electronics Corporation	
		Stanmore, Middlesex, HA7 4RS	
NAME			
BNC TEE ADAPTOR J-P-J 75 OHM			
SIZE	CAGE CODE	DRAWING NO	RESTRICTED TO
A3	00779	©-1478039	-
SCALE		SHEET	REV
NTS		1 OF 1	A