



40" LED HDTV

User's Guide for Model No. TE4014B v1086-01

For the most up-to-date version of this User's Guide, go to www.gpx.com

Safety Instructions & Warnings



WARNING: To reduce the risk of electric shock, do not remove cover (or back). No user-serviceable parts inside. Refer servicing to qualified service personnel.



The exclamation point within an equilateral triangle is intended to alert the user to the presence of important operating and maintenance (servicing) instructions in the literature accompanying the appliance.



The lightning flash with arrowhead symbol, within an equilateral triangle, is intended to alert the user to the presence of uninsulated "dangerous voltage" within the product's enclosure that may be of sufficient magnitude to constitute a risk of electric shock to persons.



This symbol indicates that this product incorporates double insulation between hazardous mains voltage and user accessible parts.

Important Safety Instructions

- Read these Instructions.
- Keep these Instructions.
- Heed all Warnings.
- Follow all instructions.
- Do not use this apparatus near water.
- Clean only with a dry cloth.
- Do not block any ventilation openings. Install in accordance with the manufacturer's instructions.
- Do not install near any heat sources such as radiators, heat registers, stoves, or other apparatus (including amplifiers) that produce heat.
- Do not defeat the safety purpose of the polarized or grounding-type plug. A polarized plug has two blades with one wider than the other. A grounding type plug has two blades and a third grounding prong. The wide blade or the third prong are provided for your safety. When the provided plug does not fit into your outlet, consult an electrician for replacement of the obsolete outlet.
- Protect the power cord from being walked on or pinched particularly at plugs, convenience receptacles, and the point where they exit from the apparatus.
- Only use attachments/accessories specified by the manufacturer.
- Unplug this apparatus during lightning storms or when unused for long periods of time.
- Refer all servicing to qualified service personnel. Servicing is required when the apparatus has been damaged in any way, such as power-supply cord or plug is damaged, liquid has been spilled or objects have fallen into the apparatus, the apparatus has been exposed to rain or moisture, does not operate normally, or has been dropped.
- Use only with a cart, stand, tripod, bracket, or table specified by the manufacturer, or sold with the apparatus. When a cart is used, use caution when moving the cart/apparatus combination to avoid injury from tip-over.



FCC Warnings

Warning: Changes or modifications to this unit not expressly approved by the party responsible for compliance could void the user's authority to operate the equipment.

NOTE: This equipment has been tested and found to comply with the limits for a Class B digital device, pursuant to Part 15 of the FCC Rules. These limits are designed to provide reasonable protection against harmful interference in a residential installation. This equipment generates, uses, and can radiate radio frequency energy and, if not installed and used in accordance with the instructions, may cause harmful interference to radio communications. However, there is no guarantee that interference will not occur in a particular installation. If this equipment does cause harmful interference to radio or television reception, which can be determined by turning the equipment off and on, the user is encouraged to try to correct the interference by one or more of the following measures:

- Reorient or relocate the receiving antenna.
- Increase the separation between the equipment and receiver.
- Connect the equipment into an outlet on a circuit different from that to which the receiver is connected.
- Consult the dealer or an experienced radio/TV technician for help.

Safety Instructions & Warnings

Additional Warnings and Precautions

- **CAUTION:** TO PREVENT ELECTRIC SHOCK, MATCH WIDE BLADE OF PLUG TO WIDE SLOT, FULLY INSERT.
AVIS: AFIN DE PRÉVENIR LES CHOCs ÉLECTRIQUES, FAITES CORRESPONDRE LA FICHE BLANCHE DE LA PRISE À LA FENTE LARGE, INSÉREZ TOTALEMENT.
- **WARNING:** To reduce the risk of fire or electric shock, do not expose this apparatus to rain, moisture, dripping, or splashing.
AVIS: Pour réduire le risque d'incendie ou de choc électrique, n'exposez pas cet appareil à la pluie ou l'humidité ou aux éclaboussures.
- **CAUTION:** Use of controls or adjustments or performance of procedures other than those specified may result in hazardous radiation exposure.
AVIS: L'utilisation de commande ou l'exécution de procédures autres que celles spécifiées ici peuvent aboutir à une exposition à des radiations dangereuses.
- **WARNING:** Changes or modifications to this unit not expressly approved by the party responsible for compliance could void the user's authority to operate the equipment.
AVIS: Des changements ou des modifications sur ce produit non expressément approuvés par la partie responsable de la conformité peut annuler le droit de l'utilisateur d'utiliser cet équipement.
- **WARNING:** Do not place this unit directly onto furniture surfaces with any type of soft, porous, or sensitive finish. As with any rubber compound made with oils, the feet could cause marks or staining where the feet reside. We recommend using a protective barrier such as a cloth or a piece of glass between the unit and the surface to reduce the risk of damage and/or staining.
AVIS: Ne placez pas cette unité directement sur des surfaces de meubles dont la finition serait douce, poreuse ou sensible. Car, comme tout composé caoutchouc a base d'huiles, les pieds pourraient laisser des traces ou des taches à l'endroit où ils sont posés. Nous recommandons d'utiliser une protection comme un linge ou un morceau de verre entre l'unité et la surface pour réduire le risque de dégât et/ou de tache.
- **WARNING:** Use of this unit near fluorescent lighting may cause interference regarding use of the remote. If the unit is displaying erratic behavior move away from any fluorescent lighting, as it may be the cause.
AVIS: L'utilisation de cette unité en présence de lumières fluorescentes peut causer des interférences lors de l'utilisation de la télécommande. En cas de dysfonctionnement, éteignez les sources de lumière fluorescentes, car celles-ci pourraient en être la cause.
- **CAUTION:** Danger of explosion if battery is incorrectly replaced. Replace only with the same or equivalent type.
AVIS: Un danger d'explosion est présent lorsque les piles sont remplacées de manière incorrecte. Remplacez seulement les piles par des piles de type équivalent.
- **WARNING:** There is a danger of explosion if you attempt to charge standard Alkaline batteries in the unit. Only use rechargeable NiMH batteries.
AVIS: Charger des piles alcalines dans l'unité peut causer une explosion. Utilisez seulement des piles rechargeables NiMH.
- **AVIS:** Les piles boutons de la télécommande contiennent du mercure. Ne les jetez pas à la corbeille, recyclez-les ou disposez-les comme des déchets dangereux.
- **WARNING:** Lithium batteries, like all rechargeable batteries, are recyclable and should be recycled or disposed of in normal household waste. Contact your local government for

disposal or recycling practices in your area. They should never be incinerated since they might explode.

AVIS: Les piles Lithium ion, comme toutes les autres piles rechargeables, sont recyclables et doivent être étiquetées avec vos déchets ménagers. Contactez votre municipalité pour obtenir des conseils sur les moyens de disposition et de recyclage dans votre région. N'incinerez pas vos piles, car celles-ci peuvent exploser.

- **WARNING:** Shock hazard - Do Not Open.
AVIS: Risque de choc électrique - ne pas ouvrir
- Caution and marking information is located at the rear or bottom of the apparatus.
Attention et de marquage des informations est situé sur le panneau arrière ou inférieur de l'unité.
- Objects filled with liquids, such as vases, shall not be placed on the apparatus.
Objets remplis de liquides, comme des vases, ne doivent pas être placés sur l'appareil.
- Mains plug is used as disconnect device and it should remain readily operable during intended use. In order to disconnect the apparatus from the mains completely, the mains plug should be disconnected from the mains socket outlet completely.
La prise du secteur est utilisé pour déconnecter le système. La prise du secteur ne doit pas être obstruée ou doit être facilement accessible pendant son utilisation. Pour être complètement déconnecté de l'alimentation d'entrée, la prise doit être débranchée du secteur.
- Battery shall not be exposed to excessive heat such as sunshine, fire or the like.
Les piles ne doivent pas être exposées à de forte chaleur, tel qu'à la lumière du soleil, au feu ou autres choses de semblable.
- Keep new and used batteries away from children. If the battery compartment does not close securely, stop using the product and keep it away from children.
Gardez les piles neuves et d'occasion à partir des enfants. Si le compartiment de la batterie ne pas fermer correctement, cesser d'utiliser le produit et garder loin des enfants.
- If you think batteries might have been swallowed or placed inside any part of the body, seek immediate medical attention.
Si vous pensez que les batteries peuvent avoir été avalé ou placé à l'intérieur d'une partie du corps, consulter immédiatement un médecin.
- Do not mix old and new batteries.
Ne pas mélanger vieilles et nouvelles batteries.
- Completely replace all old batteries with new ones.
Remplacer complètement toutes les piles par des neuves.
- Do not mix alkaline, standard (carbon-zinc), or rechargeable (ni-cad, ni-mh, etc) batteries.
Ne mélangez pas des piles alcalines, standard (carbone-zinc) ou rechargeables (Ni-Cd, Ni-MH, etc) batteries.
- Batteries should be recycled or disposed of as per state and local guidelines.
Piles doivent être recyclées ou éliminées selon les directives étatiques et locales.

Table of Contents

Your 40" LED HDTV	5
Includes	
Setup	5
Connecting the Stand	
Power	
Remote	
Orientation	6-7
TV Controls & Inputs	
Remote	
Connecting Devices to Your TV	8-9
Connecting Cable/TV Antenna	
Connecting HDMI	
Connecting Composite Audio/Video	
Connecting Devices to Your TV	10-13
Connecting Component (YPbPr) Video/Audio	
Connecting a Computer	
Connecting Optical Audio	
Connecting Audio Output	
Settings	14
Auto Scanning for Channels	
Parental Controls (V-Chip)	
Setting Favorites	
Viewing Favorites	
Setting the Clock	
USB	15
Using a USB Thumb Drive	
Mounting to a Wall	15
Specifications	
Using a USB Thumb Drive - Rear View	
Company Information	16
Contact Information	
Warranty	
International Support	
Green Initiative	

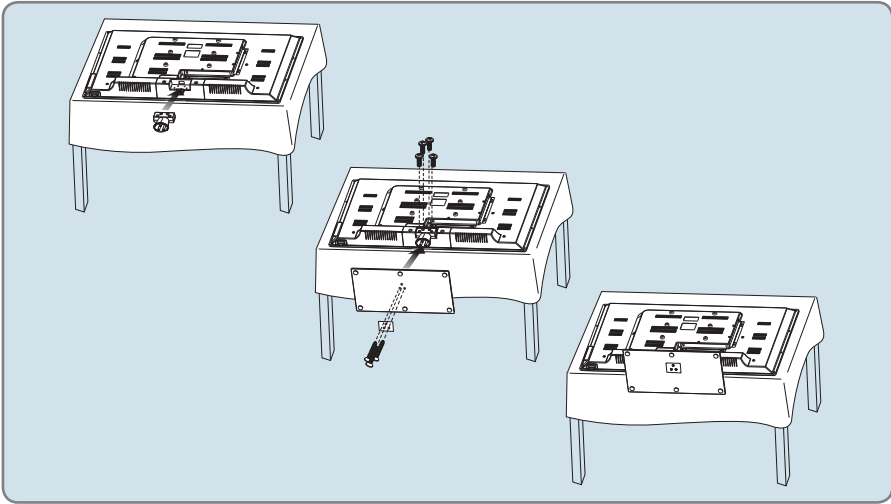
Your 40" LED HDTV

Includes

- Remote control and 2 AAA batteries
- Removable stand

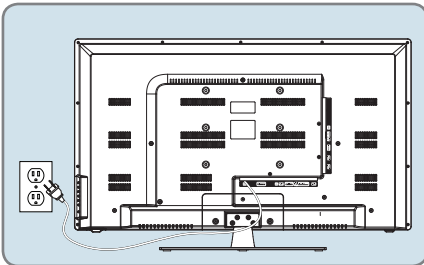
Setup

Some pixels may be visible on the screen, appearing as tiny red, green, blue or black spots. This is normal and is not a defect on the TV, and does not negatively affect the performance or picture quality.



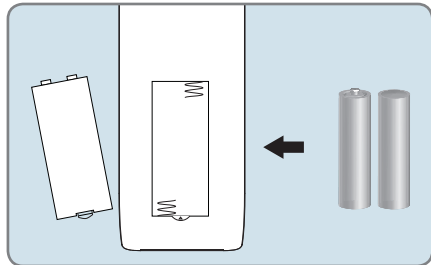
Connecting the Stand

When placing TV on flat surface, be careful not to push, scratch, or otherwise damage the front of the TV and LCD screen. Using a phillips-head screwdriver, tighten the screws by hand. Using a power drill could damage the TV stand.



Power

Plug the power cord on the back of the TV into a standard wall outlet.

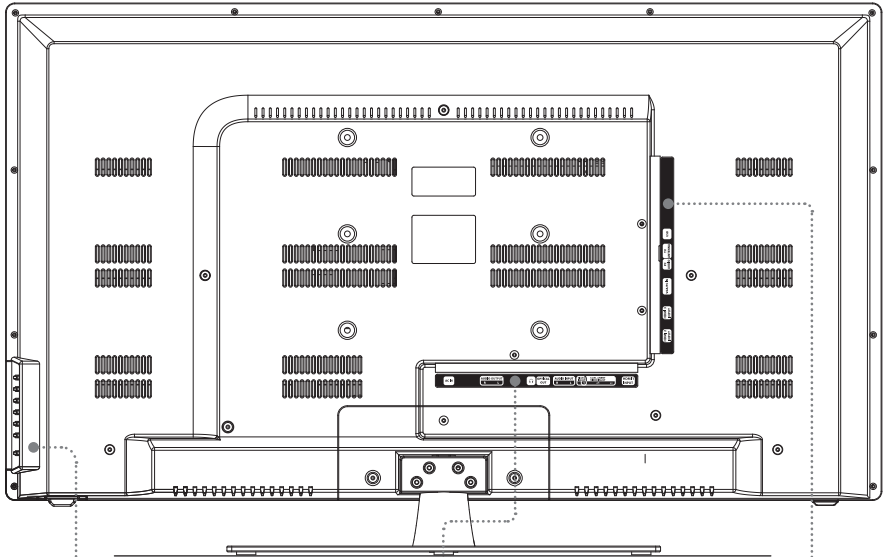


Remote

Requires 2, AAA-size batteries (included)

Orientation

TV Controls & Inputs



- TV Controls (Side)**
- Volume +/-
 - Channel +/-
 - Setup Menu
 - Source Menu
 - Power

AC Power Plug	Optical Audio Output	Composite Video Input (Y)	USB Port
Audio Output	Headphone Jack	Component Video Input (Y/Pb/Pr)	TV Antenna
	Audio Input	HDMI 1	VGA/PC Video Input
			PC Audio Input
			HDMI 2, 3

Remote

Power

Press to power the television off or on.

Display

Press to view the on-screen display.

Source

Press and use the **Arrow/Enter** buttons to adjust the source.

Aspect

Press to adjust the aspect ratio between WIDE, CINEMA, ZOOM, and NORMAL.

Setup

Press to view the television setup menu.

Volume ±

Press to adjust the volume.

Picture

Press to adjust the picture between STANDARD, SOFT, USER, and DYNAMIC. The user mode can be customized by accessing Picture Settings in the menu.

Sound

Press to adjust the sound between STANDARD, MUSIC, USER, MOVIE, and SPORTS. The user mode can be customized by accessing Sound Settings in the menu.

Audio/CC

Press to adjust the current audio settings. In TV mode, press to turn closed captioning off or on.

Skip Back

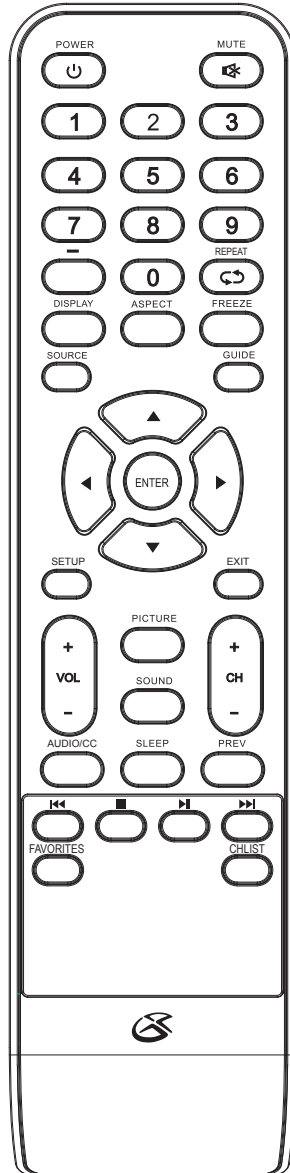
Press to skip backward in Media Mode.

Stop

Press to stop in Media Mode.

Favorites

In TV mode, press to view your favorites list.



Mute

Press to mute the volume.

Number Keypad

Repeat

In Media mode, press to repeat a selection or track.

Freeze

Press to freeze or unfreeze the current frame in TV mode.

Guide

In TV mode, press to view the on-screen television guide.

Arrows/Enter

Press to make selections in the on screen or disc menus.

Exit

Press to exit the current on-screen menu.

Channel ±

Press to adjust the television channel.

Sleep

Press repeatedly to set the sleep timer. After the set time has expired the television will automatically power off.

Prev

In TV mode, press to switch to the previous channel.

Play/Pause

Press to play or pause in Media Mode.

Skip Forward

Press to skip forward in Media Mode.

CH List

Press to view the channel list.

Connecting Devices to Your TV

Connecting Cable/TV Antenna

You will need: a cable/antenna wire (not included).

1. Connect the **Cable/Antenna** wire to the input on the television.
2. Press the **Source** button to switch to **TV mode**.
3. Press the **Setup** button to access the setup menu.
4. Press the **Arrow** (◀ ▶) buttons to highlight the **Channel** icon, and press the **Enter** button.
5. Press the **Arrow** (▲ ▼) buttons to highlight **Air/Cable**. Press the **Arrow** (◀ ▶) buttons to select **AIR or Cable**.
6. Press the **Arrow** (▲ ▼) buttons to highlight **Auto Scan**. Press the **Enter** button to begin scanning for available channels.

Connecting HDMI

You will need: a device that supports HDMI and a HDMI cable (not included).

1. Connect the device's **HDMI output** to the **HDMI input** on the television.
2. Press the **Source** button to switch to the connected input **HDMI**.

Note:

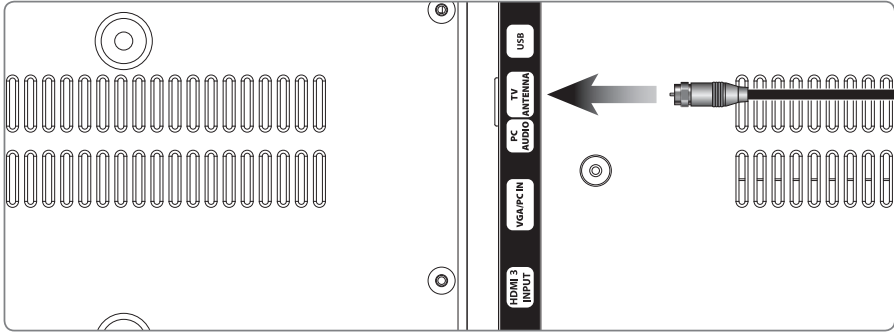
HDMI offers superior sound and picture quality when compared to Composite or other connection types, and is the easiest way to connect your media devices to the television.

Connecting Composite Audio/Video

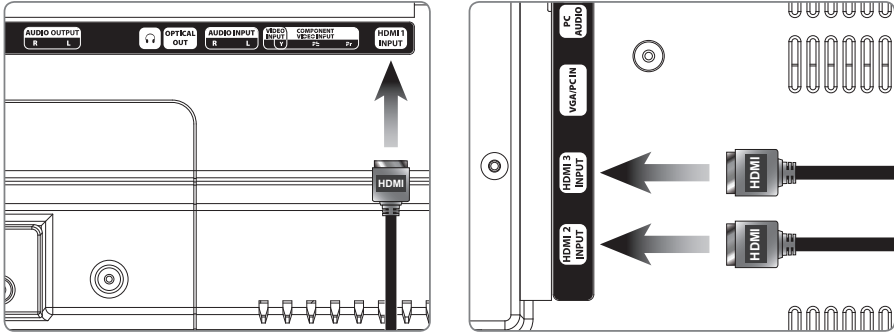
You will need: composite video (yellow) and RCA stereo (red,white) cables (not included).

1. Connect the video output on your media device to the corresponding color coded video inputs on the television with a **Composite Video cable**.
2. Connect the audio output on your media device to the corresponding color coded audio input on the television with **stereo RCA cables**.
3. Press the **Source** button to switch to the connected input **AV Composite**.

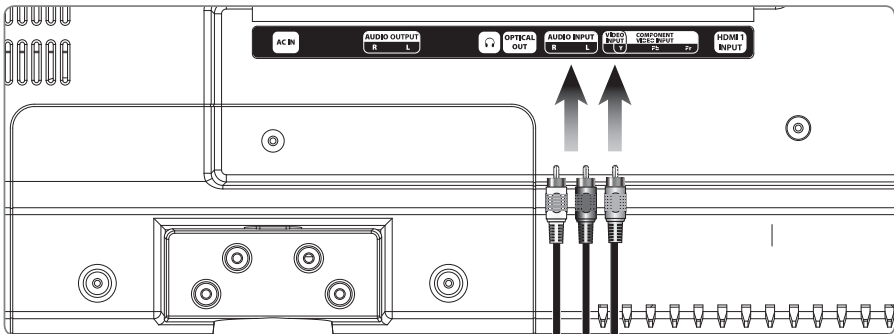
Connecting Cable/TV Antenna- Rear View



Connecting HDMI - Rear View



Connecting Composite Audio/Video- Rear View



Connecting Devices to Your TV

Connecting Component (YPbPr) Video/Audio

You will need: component video (green, blue, red) and RCA stereo (red, white) cables (not included).

1. Connect the **audio output** on your media device to the corresponding **color coded audio input** on the television with stereo RCA cables.
2. Connect the **video output** on your media device to the corresponding **color coded video inputs** on the television with a Component Video cable.
3. Power the television on and press the **Source** button to switch to the connected input **YPbPr**.

Connecting a Computer

You will need: a PC with a VGA output, and a VGA cable (not included).

1. Connect the computer's **VGA output** to the **VGA/PC Input** on the television.
2. Press the **Source** button to switch to the **PC Mode**.
3. Audio from the connected PC can be input to the television through the TV's **PC Audio** Input by using a 3.5mm audio cable (not included).

Connecting Optical Audio

You will need: a receiver with a Digital Optical Input and a Digital Optical Audio Cable (not included).

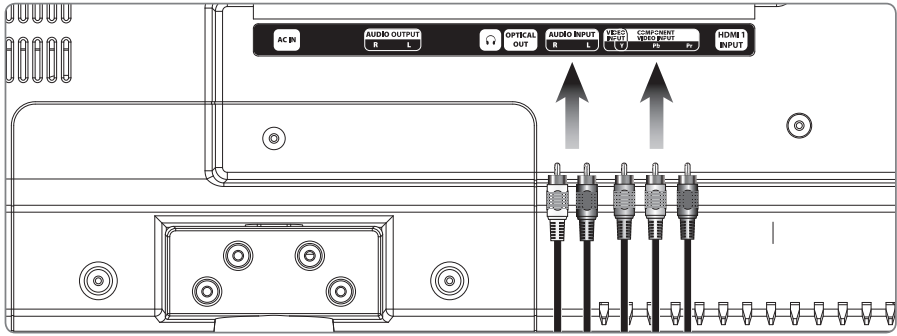
1. Connect the **Digital Optical Audio Cable** from the **Optical Output** on the television to the **Input** on the receiver.
2. Set the receiver to accept the Optical Input source **from the television**.

Please Note:

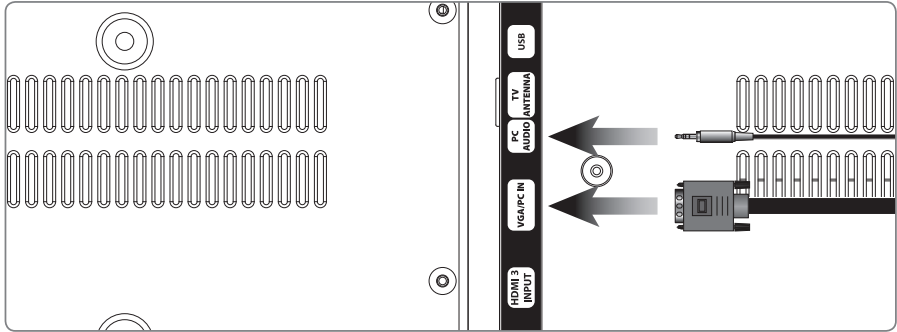
Home theater systems may label the Digital Optical Out source differently, such as "PCM", or "Digital Audio Input". Please consult your home theater system's user manual in order to select the correct input source.

If there is no sound, be sure the Digital Audio Output is set to PCM (under the screen in TV Setup).

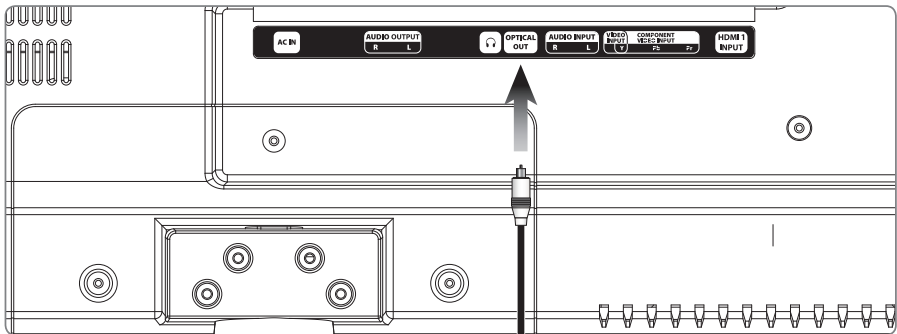
Connecting Component (YPbPr) Cables - Rear View



Connecting a Computer - Rear View



Connecting Optical Audio - Rear View



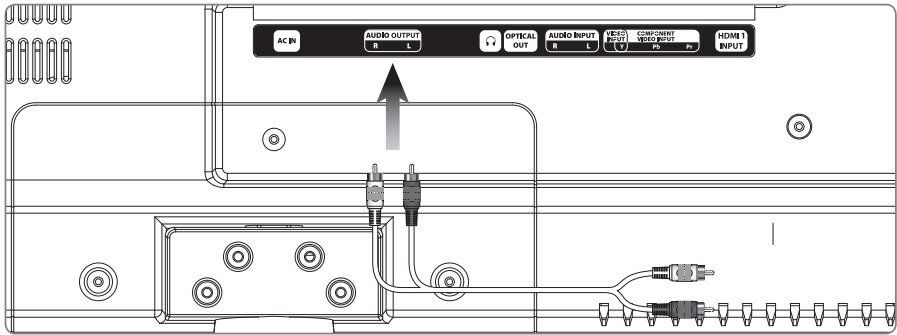
Connecting Devices to Your TV

Connecting Audio Output

You will need: a RCA to RCA audio cable (not included)

1. Connect a **RCA cable** to the **Audio Output** on the unit and an audio input on an external stereo system.

Connecting a RCA to RCA Audio Cable - Rear View



Settings

Auto Scanning for Channels

The Auto Channel Scan must be run before any channels can be viewed on the television.

1. Press the **Source** button to switch to TV mode.
2. Press the **Setup** button to access the setup menu.
3. Press the **Arrow** (◀ ▶) buttons to highlight the **CHANNEL** icon. Press the **Enter** button.
4. Press the **Arrow** (▲ ▼) buttons to highlight **Air/Cable**. Press the **Arrow** (◀ ▶) buttons to select **AIR**.
5. Press the **Arrow** (▲ ▼) buttons to highlight **Auto Scan**. Press the **Enter** button to begin scanning for available channels.

Note: Initial channel scanning process may take up to 15 min.

Parental Controls (V-Chip)

1. Press the **Source** button to switch to TV mode.
2. Press the **Setup** button.
3. Press the **Arrow** (◀ ▶) buttons to highlight **Lock**, and press the **Enter** button.
4. Enter the default passcode to access the **Lock** preferences. The default passcode is **0 0 0 0**.
5. From this menu, you can lock out specific ratings from the United States rating system or the Canadian rating system by accessing the V-CHIP settings. You can also lock the buttons on the television or lock specific sources from access.

Setting Favorites

1. Press the **Source** button to switch to TV mode.
2. Press the **Setup** button to access the setup menu.
3. Press the **Arrow** (◀ ▶) buttons to highlight the **Channel** icon. Press the **Enter** button.
4. Press the **Arrow** (▲ ▼) buttons to highlight the **Favorites** icon. Press the **Enter** button.
5. Use the **Arrow** (▲ ▼) buttons to select the desired channels and then press the **Enter** button.

Viewing Favorites

1. Press the **Source** button to switch to TV mode.
2. Press the **Favorites** button to view a list of your saved favorites.

Setting the Clock

1. Press the **Setup** button to access the setup menu.
2. Press the **Arrow** (◀ ▶) buttons to highlight the **Time** icon, and press the **Enter** button.
3. Press the **Arrow** (▲ ▼) buttons to highlight **Time Zone**, and press the **Arrow** (◀ ▶) buttons to select your current time zone.
4. Press the **Arrow** (▲ ▼) buttons to highlight **Auto Clock**, and press the **Arrow** (◀ ▶) buttons to turn auto clock on or off. When the correct time zone is set, auto clock will automatically set your clock and date for you.
5. To set the time and date manually, turn **Auto Clock** off, highlight **Clock**, and use the **Arrow and Enter** buttons to manually set the time and date.

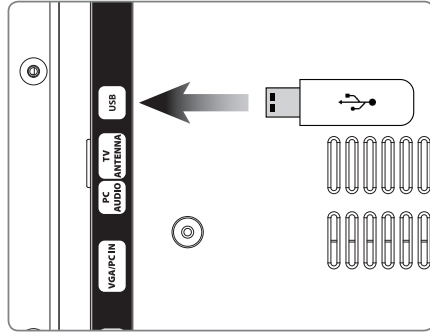
USB

Using a USB Thumb Drive

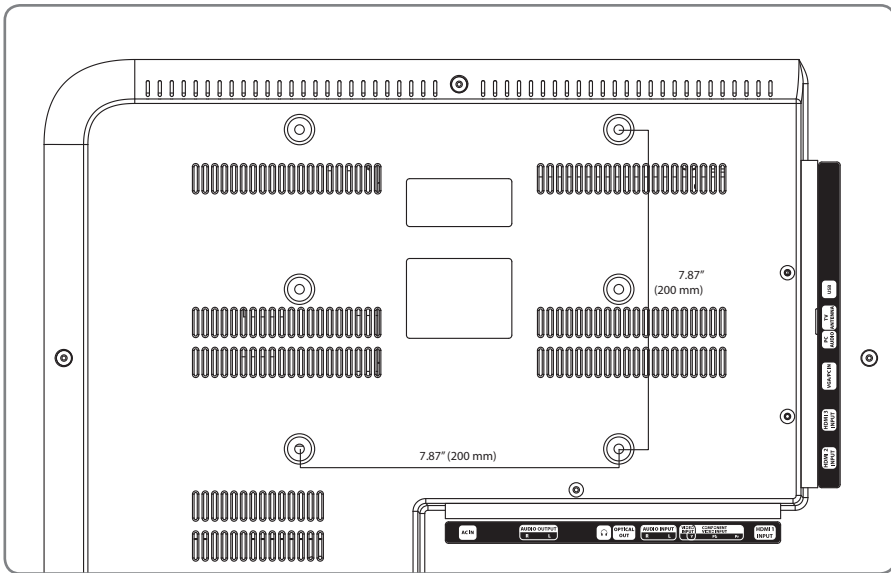
Please note that this unit only supports JPEG and audio files. Video file types are not supported

1. Load a USB thumb drive into the USB Port on the back of the television.
2. Press the **Source** button to switch to Media mode.
3. Use the **Arrow and Enter** buttons to select and play content from the connected USB thumb drive.

Using a USB Thumb Drive - Rear View



Mounting to a Wall



Specifications

- 200mm x 200mm spacing (ht. x with.)
- M6 bolt pattern and thread pitch

A 15 to 25mm long bolt is recommended, depending on the thickness of the wall bracket selected.

WE STRONGLY RECOMMEND HAVING THIS TELEVISION MOUNTED PROFESSIONALLY.

Company Information

Contact Information

Website: www.gpx.com

Email Support: prodinfo@dpiinc.com

Email Parts: partsinfo@dpiinc.com

Phone Support: 1-888-999-4215

Warranty

For Warranty Information and the most up-to-date version of this User's Guide, go to: www.gpx.com

International Support

To download this User's Guide in English, Spanish, and French, or to get answers to frequently asked questions, visit the support section at: www.gpx.com

Para descargar este Manual del Usuario en inglés, español y francés, o para obtener respuestas a preguntas frecuentes, visite la sección de apoyo en: www.gpx.com

Pour télécharger ce guide de l'utilisateur en anglais, espagnol ou français, ou pour obtenir des réponses à des questions fréquemment posées, consultez la rubrique d'assistance sur: www.gpx.com

Green Initiative

Our Environmental Commitment to "Protect for Today and Sustain for Tomorrow". On a continual basis DPI, Inc. is making efforts to sustain the environment and improve the recyclability of its products and packaging.

Focusing on "protecting for today and sustaining for tomorrow" DPI, Inc. has committed to reducing packaging size, increasing the usage of recyclable plastics, and ensuring that packaging and manuals are made with up to 85% recycled material. In addition to material consideration, DPI, Inc. has also focused on the finer details that positively impact the environment such as employing the usage of soy-based inks.

DPI, Inc. also ensures that the factories that produce the company's wide variety of consumer electronics adhere to environmentally friendly air and water restrictions. This is yet another example that every step of the way DPI, Inc. is making efforts to lessen any impact on the environment.

In 2011 DPI, Inc. also began conversations with Energy Star in order to ensure that the consumer electronics being produced meet high standards of energy efficiency. The ultimate goal is keeping energy costs for consumers low while providing quality, feature-rich products.



Copyright © 2014 Digital Products International (DPI, Inc.) All other trademarks appearing herein are the property of their respective owners. Specifications are subject to change without notice.