

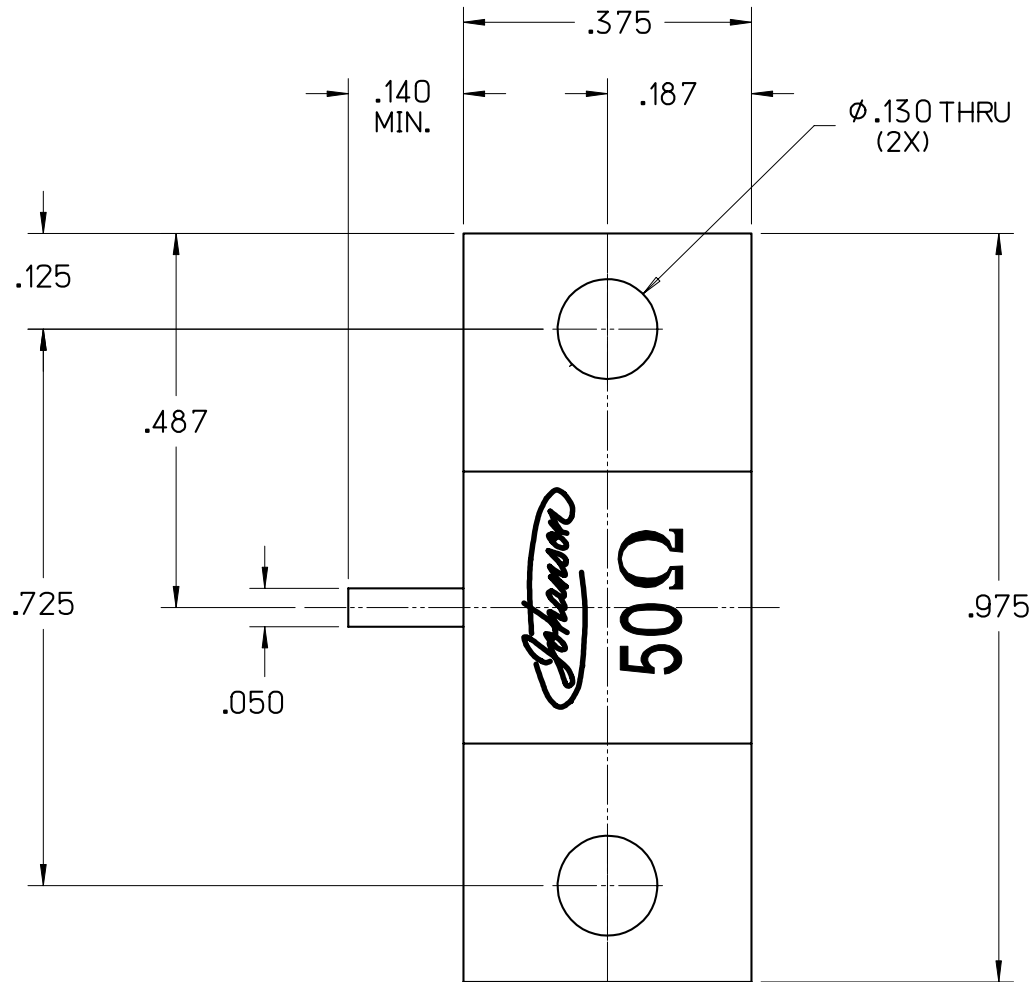
MI DRG. NO.

TF250AB12-007E

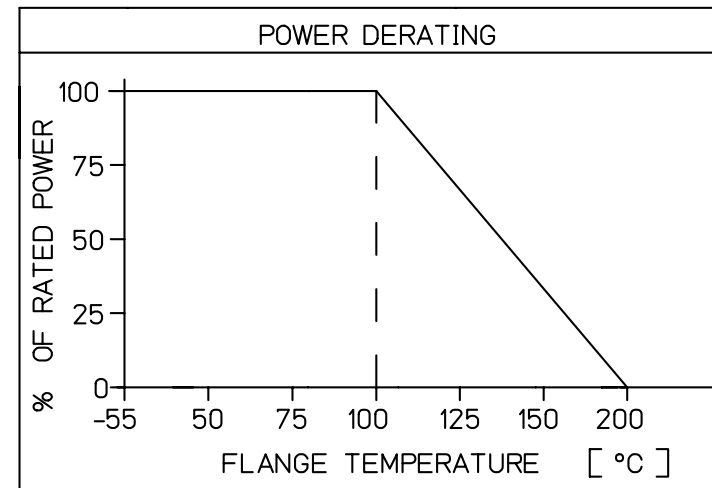
REV.

TF250AB12-007 E

**HIGH POWER ALN TERMINATION
OPTIMIZED FOR DC-900MHz**



SPECIFICATIONS		FILE: TERMOUT
POWER MAX (WATTS):	250	CW
RESISTANCE	50	OHMS (±5%)
FREQUENCY	VSWR	
DC-900 MHz	<1.05:1	
UP TO 2200 MHz	1.10:1	



LEVEL	DATE	DRN.	CHK.	APP.	ECN
E	01/17/09	MAI	MAI	MAI	000747
D	11/17/08	MLD	MAI	MAI	000732
C	03/27/08	MLD	MAI	MAI	000656
B	02/15/08	MLD	MAI	MAI	000646
A	10/24/07	SAF	-	-	000608

REVISIONS			
DRN.	CHK.	APP.	SCALE
SAF	MAI	MAI	4" = 1"
DATE	DATE	DATE	.XX ± .015
10/24/07	10/25/07	10/25/07	.XXX ± .010



JOHANSON MANUFACTURING CORPORATION
 ROCKAWAY VALLEY ROAD, BOONTON, N.J. 07005 (973)334-2676 FAX (973)334-2954
 ELECTRONIC ACCURACY THROUGH MECHANICAL PRECISION

PROPRIETARY INFORMATION CONTAINED NOT TO BE USED WITHOUT JOHANSON MANUFACTURING CORPORATION APPROVAL