

## Metalized Plastic Hoods

## DPPK-M+High Density D-Sub Solder Cup

### TECHNICAL SPECIFICATIONS

#### D-Sub Hood:

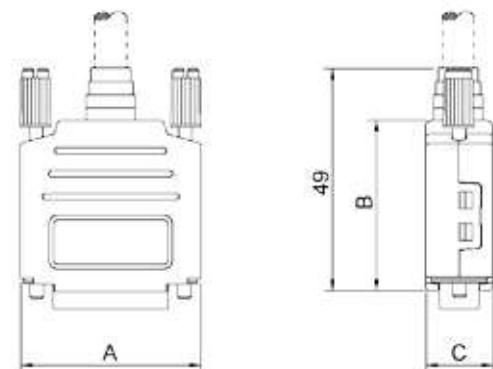
Material:	UL Recognised Plastic Material
Plating:	Nickel over Copper
Operating Temperature:	-55°C to +105°C
Cable Entry:	Top
Thumbscrews:	UNC 4-40 (Standard)
Cable O.D:	Up to 11,5mm

#### High Density D-Sub Solder Cup:

Insulator:	Glass filled TP, UL94 V-0
Shell:	Steel, Tin Plated
Contact pins:	Copper Alloy Gold Flash over Ni.
Stamped & Formed Pins	Class 3, 100 inserts min.
Contact Plating:	Gold flash over Nickel
Operating Temperature:	-55°C to +85°C
Withstanding voltage:	>1000V Rms to 50 Hz for 1 minute
Current Rating:	3A
Insulator resistance:	>5000MΩ min.

#### Features:

- Available in sizes 9-15-25
- Quick-Snap locking system
- Re-openable



Size DPPK-M	Dim A	Dim B	Dim C
9-way	32,5	38,0	15,0
15-way	41,0	38,0	15,0
25-way	54,5	40,0	15,0
37-way	71,0	40,0	15,0

### Ordering information:

### High Density D-Sub Connector Kits

Size:	P/N - Kitted:	Description:
HD 15	L17DPPK-M-09+L717HDE15P	Solder Cup, 15-Male
HD 26	L17DPPK-M-15+L717HDA26P	Solder Cup, 26-Male
HD 44	L17DPPK-M-25+L717HDB44P	Solder Cup, 44-Male
HD 62	L17DPPK-M-37+L717HDC62P	Solder Cup, 62-Male

Size:	P/N - Kitted:	Description:
HD 15	L17DPPK-M-09+L77HDE15S	Solder Cup, 15-Female
HD 26	L17DPPK-M-15+L77HDA26S	Solder Cup, 26-Female
HD 44	L17DPPK-M-25+L77HDB44S	Solder Cup, 44-Female
HD 62	L17DPPK-M-37+L77HDC62S	Solder Cup, 62-Female