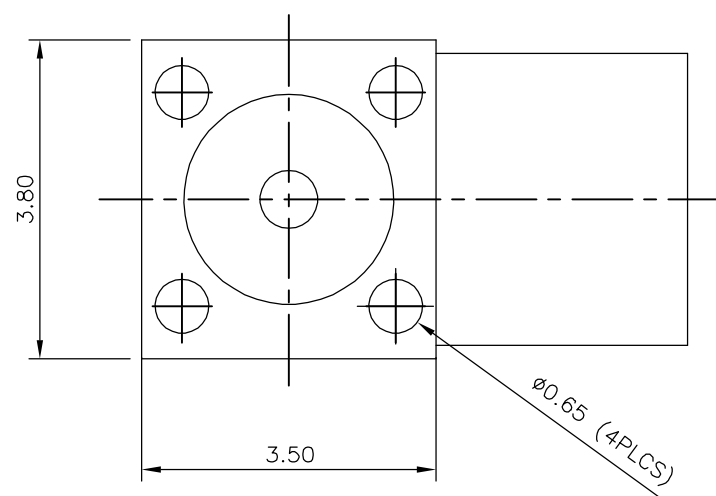
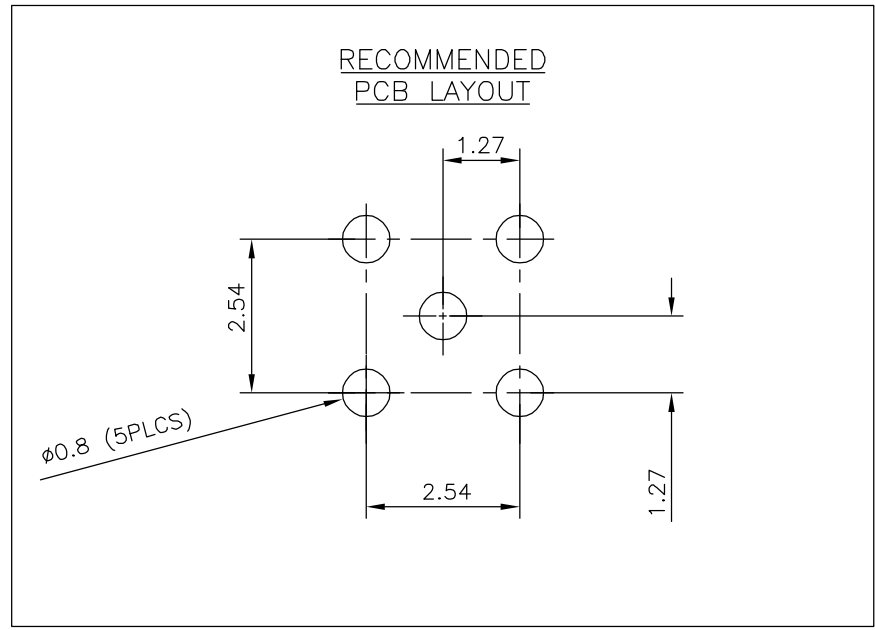
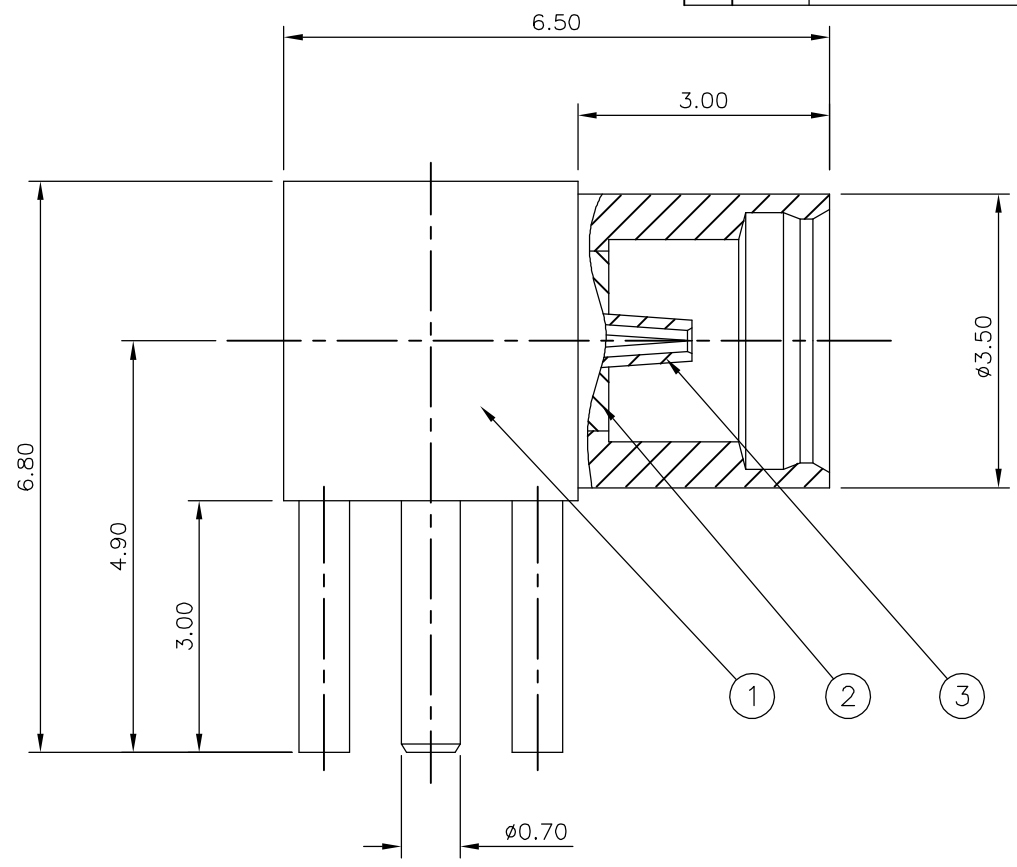


THIS DRAWING IS UNPUBLISHED. RELEASED FOR PUBLICATION NOV ,2003.
 © COPYRIGHT 2003 BY TYCO ELECTRONICS CORPORATION. ALL RIGHTS RESERVED.

LOC	DIST	REVISIONS					
E	B	P	LTR	DESCRIPTION	DATE	DWN	APVD
		D		EBD0-0226-05	13MAY05	JMS	FWK

- NOTES:
- 1 SINGLE PACK IN ACCORDANCE WITH AMP SPEC 107-3275
 - 2 50 TRAY PACK IN ACCORDANCE WITH AMP SPEC 107-3275
 - 3 Au PLATING OVER Ni PLATING OVER Cu PLATING
4. CHARACTERISTICS
- | | |
|-------------------------------|------------|
| FREQUENCY RANGE: | DC-6GHz |
| NOMINAL IMPEDANCE: | 50 OHMS |
| WORKING VOLTAGE: | 170V RMS |
| INSULATION RESISTANCE: | 1000 MOHMS |
| DIELECTRIC WITHSTAND VOLTAGE: | 500V RMS |
| CONTACT RESISTANCE: | 5.0 mOHMS |
| CENTRE CONTACT | |
5. MECHANICAL CHARACTERISTICS
- | | |
|-------------|------------|
| DURABILITY: | 500 CYCLES |
|-------------|------------|
6. FOR TECHNICAL DATA REFER TO YOUR LOCAL TYCO ELECTRONICS SALES OFFICE
7. ALL DIMENSIONS ARE NOMINAL FOR REFERENCE ONLY UNLESS OTHERWISE STATED



QTY	PLC	TRAY	MATERIAL	DESCRIPTION	ITEM
1	1		BERYLLIUM COPPER	SOCKET	3
1	1		PTFE	INSULATOR	2
1	1		BRASS	BODY	1
6--0	1--0		MATERIAL	DESCRIPTION	ITEM

THIS DRAWING IS A CONTROLLED DOCUMENT.		DWN	J.SANDWELL	12NOV03	Tyco Electronics Corporation Stanmore, Middlesex, HA7 4RS		
DIMENSIONS: MM		CHK	S.PARLOW	12NOV03			
TOLERANCES UNLESS OTHERWISE SPECIFIED:		APVD	F.WHEELER-KING	12NOV03	NAME		
0 PLC ± - 1 PLC ± - 2 PLC ± - 3 PLC ± - 4 PLC ± - ANGLES ± -		PRODUCT SPEC		108-3462		MMCX RIGHT ANGLE PCB MOUNT SOCKET RECEPTACLE 50 OHMS	
MATERIAL SEE TABLE		FINISH SEE TABLE		APPLICATION SPEC		411-3280	
		WEIGHT		-		SIZE	A3
		CUSTOMER DRAWING		CAGE CODE	00779	DRAWING NO	C-1634010
		SCALE		NTS		SHEET	1 OF 1
		REV		D			