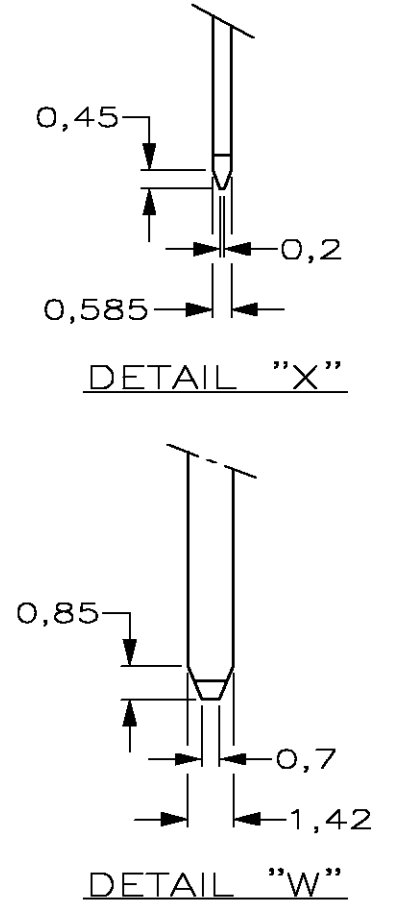
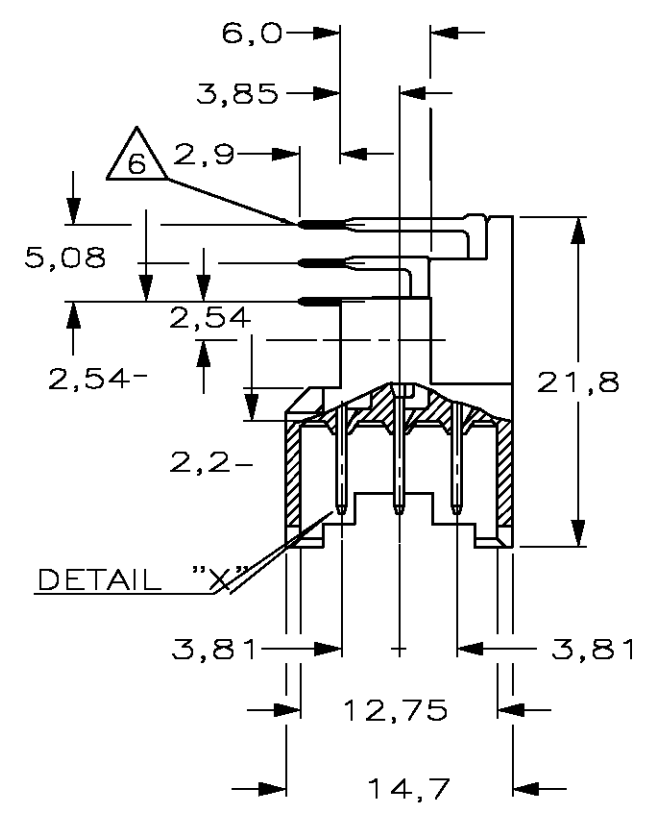
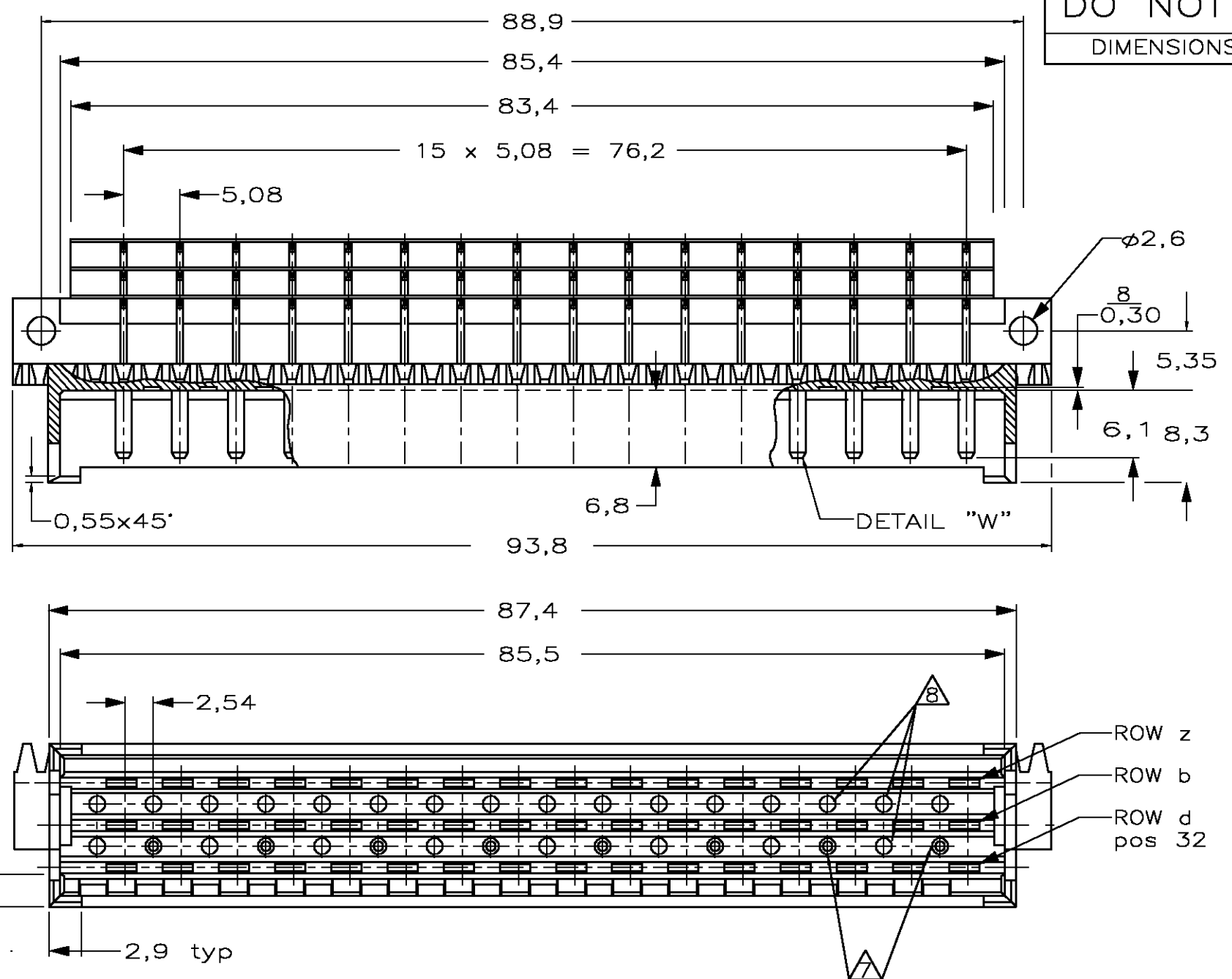
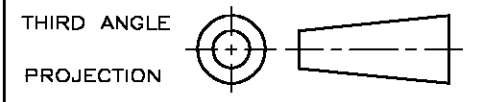


DO NOT SCALE
DIMENSIONS IN mm

METRIC



| | | | | | | | | | | | | | | | | |
|------------|---|---|---|---|----|----|----|----|----|----|----|----|----|----|----|----|
| POS. NO | 2 | 4 | 6 | 8 | 10 | 12 | 14 | 16 | 18 | 20 | 22 | 24 | 26 | 28 | 30 | 32 |
| F 48 ROW N | X | X | X | X | X | X | X | X | X | X | X | X | X | X | X | X |
| D | X | X | X | X | X | X | X | X | X | X | X | X | X | X | X | X |
| U | X | X | X | X | X | X | X | X | X | X | X | X | X | X | X | X |

AN ASTERISK „X” DENOTES A STANDARD CONTACT.

- NOTES
- 1 MATERIAL:
-HOUSING: THERMOPLASTIC POLYESTER, COLOR GREY.
-CONTACTS: BRASS.
 - 2 PLATING CONTACT: 1,25 μm Au OVER 1,25 μm Ni IN CONTACT AREA.
Sn/Pb over 1,25 μm Ni ON SOLDER POST.
 - 3 PLATING CONTACT: 0,8 μm Au OVER 1,25 μm Ni IN CONTACT AREA.
Sn/Pb over 1,25 μm Ni ON SOLDER POST.
 - 4 PLATING CONTACT: 2,0 μm Au OVER 1,25 μm Ni IN CONTACT AREA.
Sn/Pb over 1,25 μm Ni ON SOLDER POST.
 - 5 PLATING CONTACT: 0,4 μm Au OVER 1,25 μm Ni IN CONTACT AREA.
Sn/Pb over 1,25 μm Ni ON SOLDER POST.
 - 6 SOLDER POSTS SUITABLE FOR P.C.B. HOLES
0,8±0,05 OR 1,0±0,1 DIA.
 - 7 8 HOLES SUITABLE FOR KEYING PIN PN. 215916-1.
 - 8 KEYING HOLES TO BE DRILLED BY CUSTOMER.

| | | | |
|---------------|------------|------------|------------|
| 2--7 OBSOLETE | SEE NOTE 5 | SEE NOTE 1 | 2-164045-8 |
| | SEE NOTE 4 | | 2-164045-7 |
| | SEE NOTE 3 | | 2-164045-4 |
| | SEE NOTE 2 | | 2-164045-1 |

| | FINISH | MATERIAL | PARTNUMBER |
|------|-----------------|---------------|------------|
| - | - | - | - |
| V | EH-0855-97 | J.G. J.G. | 04-08-97 |
| U | EH-0855-97 | J.G. J.G. | 04-08-97 |
| T | EH-0467-96 | J.G. J.G. | 27-05-97 |
| S | H-9853 | R.v.L J.v.G | 31.03.93 |
| R | H-9044 | R.v.L J.v.G | 27.08.91 |
| LTR. | REVISION RECORD | DR. CHK. DATE | |

CUSTOMER DRAWING FOR REFERENCE ONLY
WILL NOT BE UPDATED

© COPYRIGHT 19 - BY AMP-HOLLAND B.V.
ALL INTERNATIONAL RIGHTS RESERVED. AMP PRODUCTS MAY BE
COVERED BY U.S. AND FOREIGN AND/OR PATENTS PENDING.
THIS DRAWING IS UNPUBLISHED
RELEASED FOR PUBLICATION

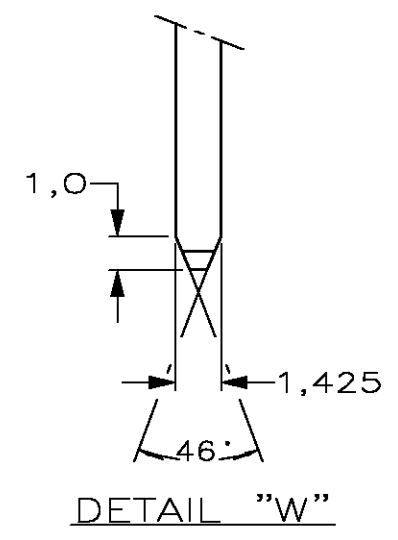
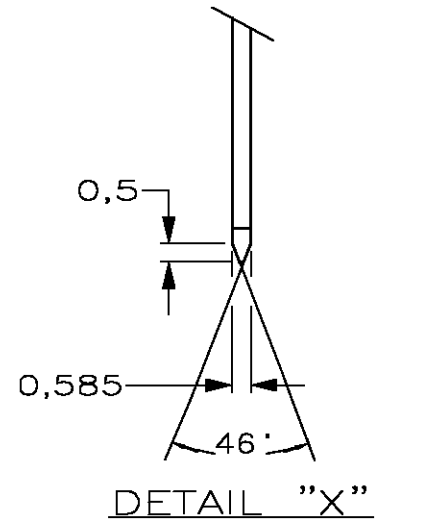
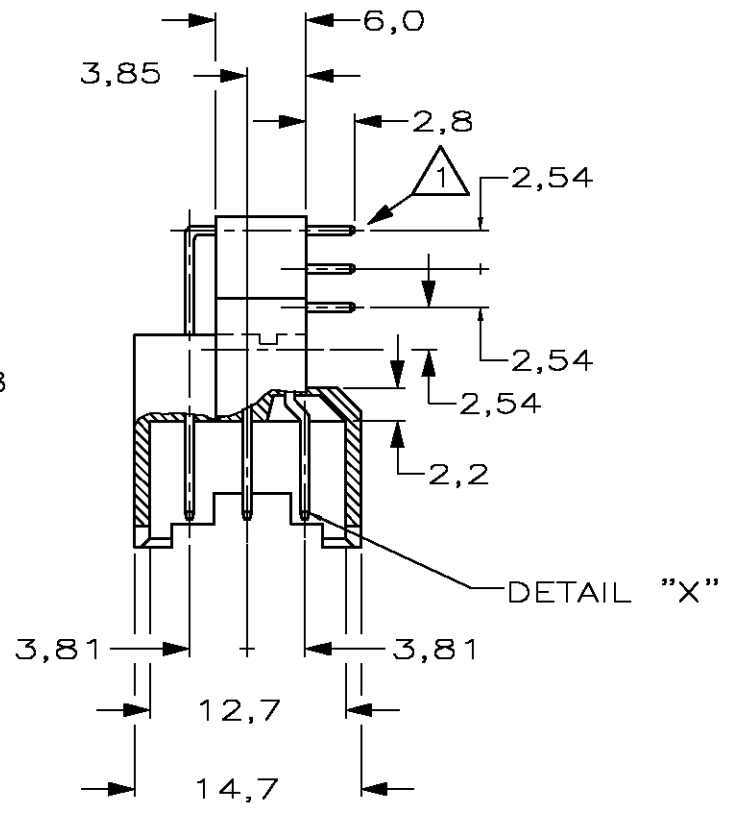
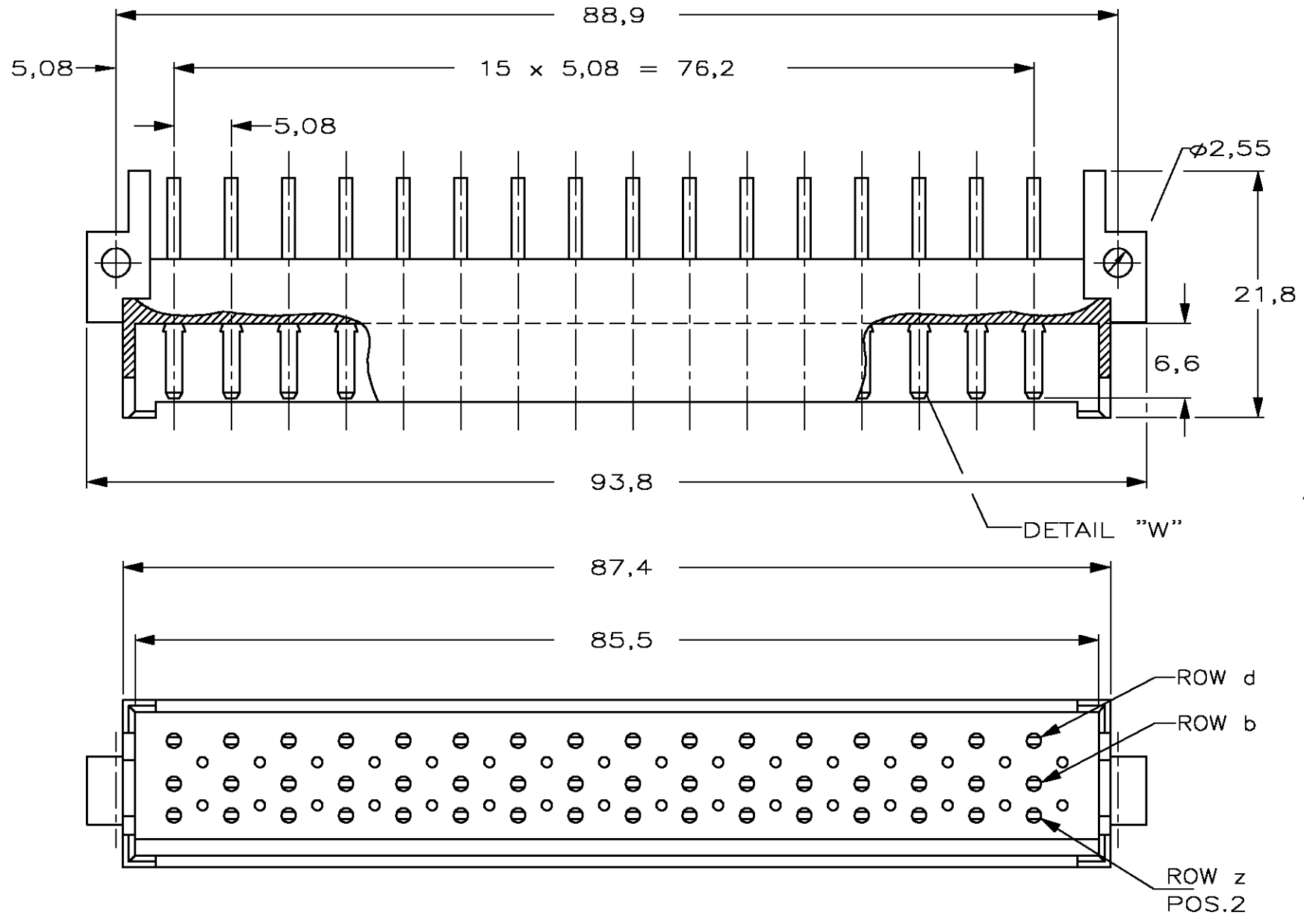
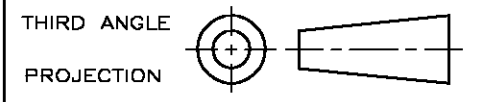
AMP AMP-HOLLAND B.V.
s-Hertogenbosch,
The Netherlands.

NAME
48 POS. DIN 41612 F MALE
90° SOLDER CONNECTOR

| | | | | | |
|-----------------|-----------------|---------|----------|----------|--------|
| DR.: R.v.Lokven | CHK.: J.GIBBELS | APP.: - | DWG.No. | REV.LTR. | SHEET |
| DATE: 27.08.91 | DATE: - | DATE: - | C-164045 | V | 1 OF 2 |

DO NOT SCALE
DIMENSIONS IN mm

METRIC



- 9 PLATING CONTACT: 1,25 μm Au OVER 1,25 μm Ni IN CONTACT AREA.
Sn/Pb over 1,25 μm Ni ON SOLDER POST.
- 10 PLATING CONTACT: 0,8 μm Au OVER 1,25 μm Ni IN CONTACT AREA.
Sn/Pb over 1,25 μm Ni ON SOLDER POST.

| POS. NO | | 2 | 4 | 6 | 8 | 10 | 12 | 14 | 16 | 18 | 20 | 22 | 24 | 26 | 28 | 30 | 32 |
|----------|---|---|---|---|---|----|----|----|----|----|----|----|----|----|----|----|----|
| F 48 ROW | N | X | X | X | X | X | X | X | X | X | X | X | X | X | X | X | X |
| | Q | X | X | X | X | X | X | X | X | X | X | X | X | X | X | X | X |
| | U | X | X | X | X | X | X | X | X | X | X | X | X | X | X | X | X |

AN ASTERISK „X” DENOTES A STANDARD CONTACT.

| SEE NOTE 10 | | SEE NOTE 9 | | SEE NOTE 1 | | PARTNUMBER | | |
|---|-----------------|------------|--|---|-----------|--------------|-------|---|
| - | | - | | - | | 9-164045-4 | | |
| - | | - | | - | | 9-164045-1 | | |
| FINISH | | | | MATERIAL | | | | |
| - | | | | - | | | | |
| CUSTOMER DRAWING FOR REFERENCE ONLY WILL NOT BE UPDATED | | | | | | | | |
| © COPYRIGHT 19 - BY AMP-HOLLAND B.V. ALL INTERNATIONAL RIGHTS RESERVED. AMP PRODUCTS MAY BE COVERED BY U.S. AND FOREIGN AND/OR PATENTS PENDING. THIS DRAWING IS UNPUBLISHED RELEASED FOR PUBLICATION -19- | | | | | | | | |
| SEE SHEET | | | | AMP HOLLAND B.V. 's-Hertogenbosch, The Netherlands. | | | | |
| | | | | NAME 48 POS. DIN 41612 F MALE 90° SOLDER CONNECTOR | | | | |
| LTR. | REVISION RECORD | | | DR. | CHK. | DATE | | |
| DR.: | J.GIBBELS | | | CHK.: | J.GIBBELS | | APP.: | - |
| DATE: | 04-08-97 | | | DATE: | - | | DATE: | - |
| DWG.No. C-164045 | | | | REV.LTR. V | | SHEET 2 OF 2 | | |