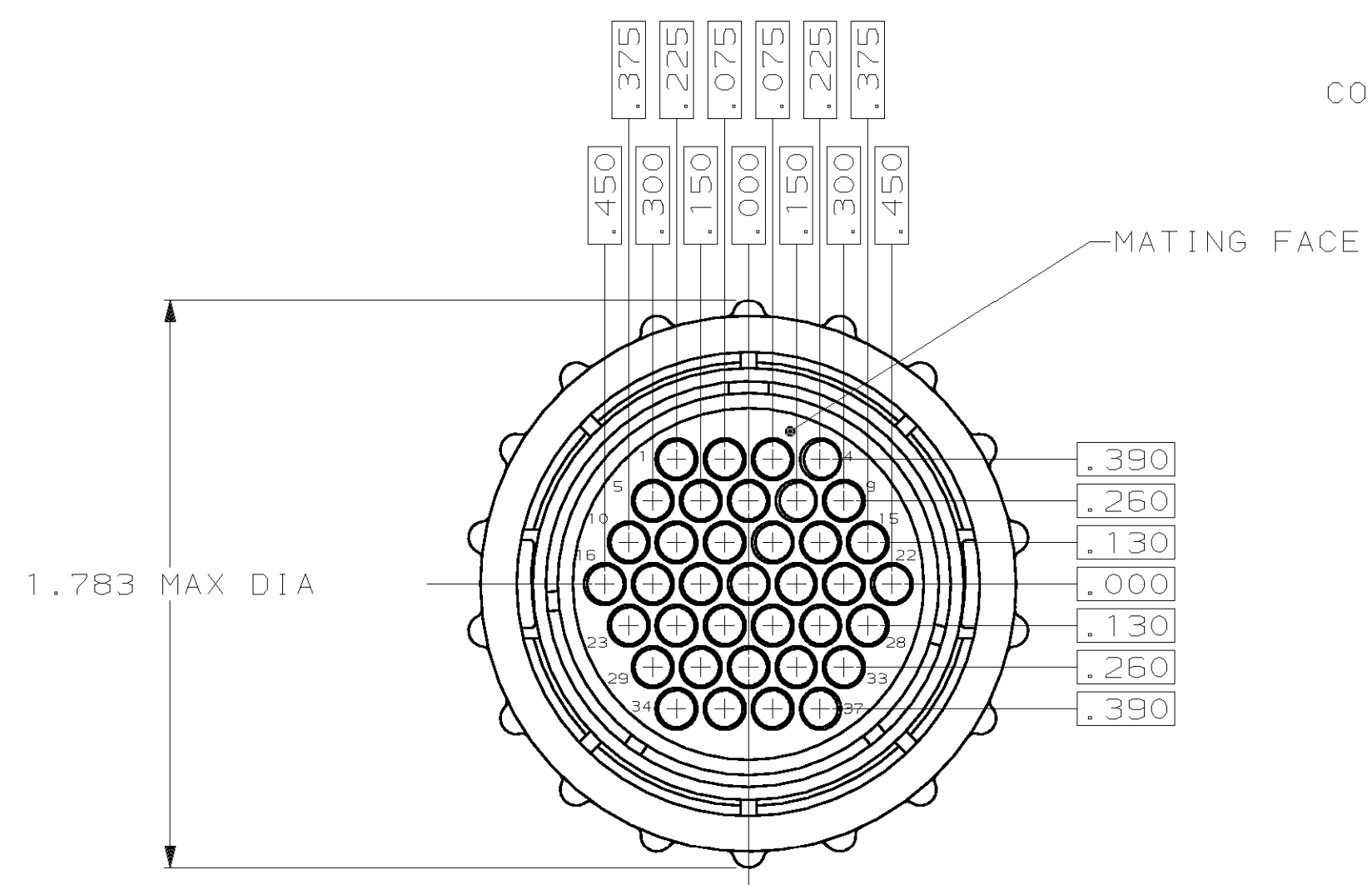


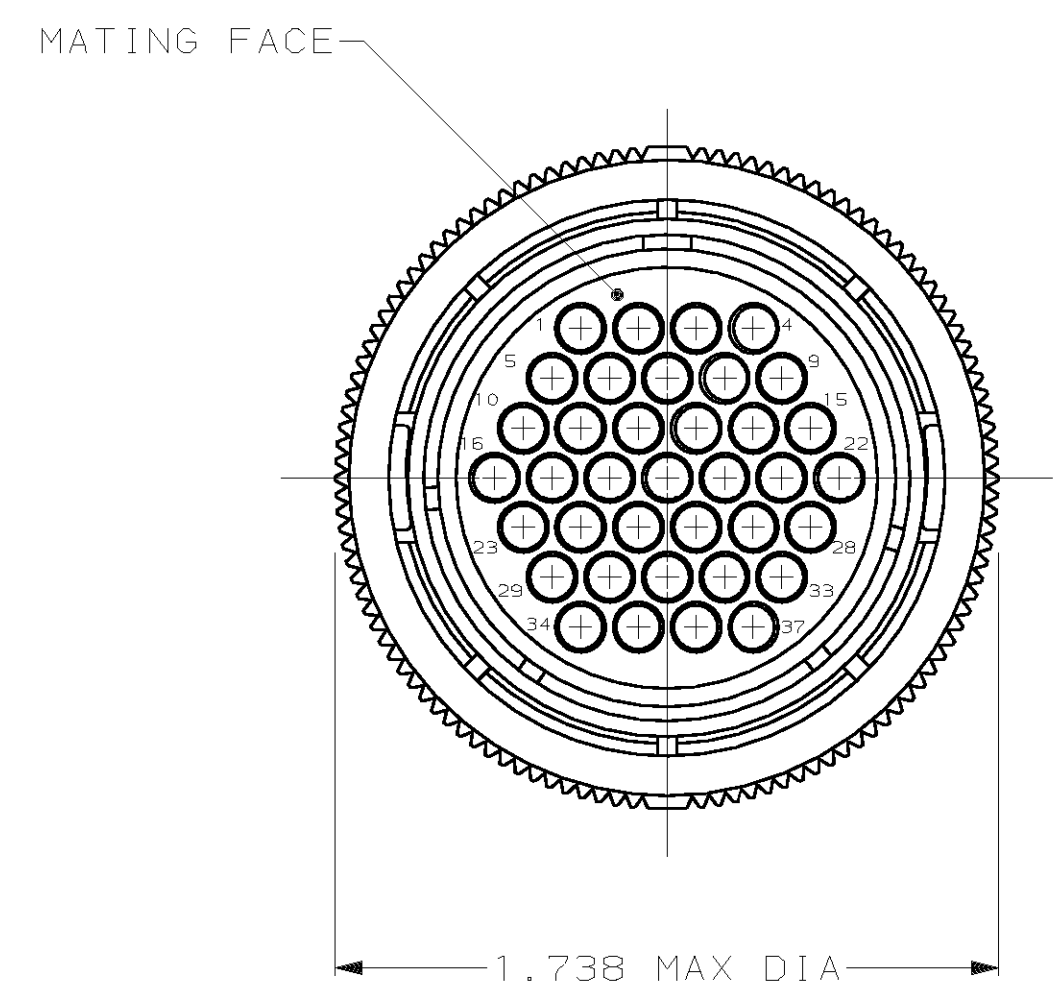
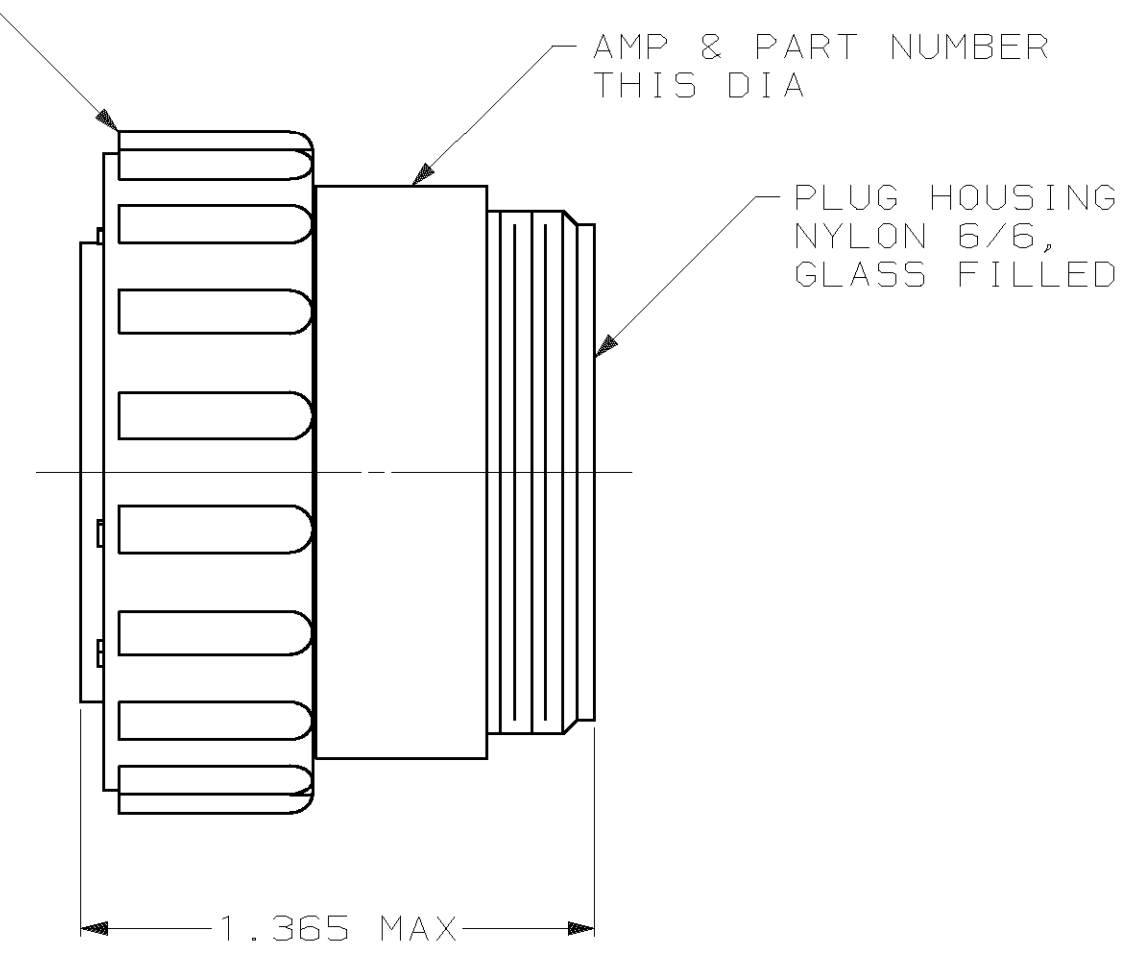
THIS DRAWING IS UNPUBLISHED. RELEASED FOR PUBLICATION
 © COPYRIGHT 19 BY AMP INCORPORATED. ALL INTERNATIONAL RIGHTS RESERVED.

LOC		DIST		P		F		REVISIONS			
ZONE	LTR	DESCRIPTION	DATE	APPD							
FT	0				G	REVISE PER ECN 063B-0343-00	27JUL00	SU/MC			



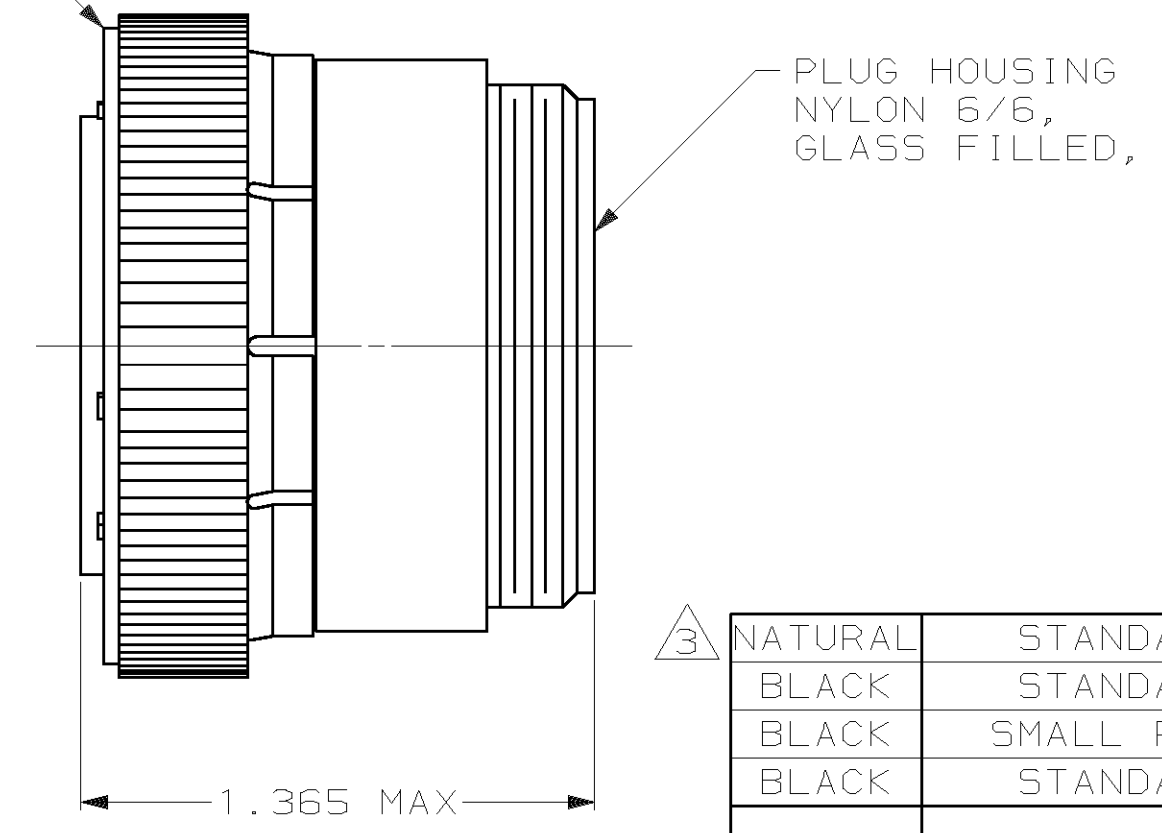
(-1, -2 & -5 ONLY)

COUPLING RING
POLYESTER



(-4 ONLY)

COUPLING RING
POLYOHENYLENE



3	NATURAL	STANDARD	206305-5
	BLACK	STANDARD	206305-4
	BLACK	SMALL PACK	206305-2
	BLACK	STANDARD	206305-1
	COLOR	PACKAGING	PART NUMBER

- CONTACT CAVITIES IDENTIFIED BY CHARACTERS ON FRONT AND REAR FACES OF CONNECTOR.
- WILL ACCEPT (37) MULTIMATE PIN CONTACTS.
- PRELIMINARY PART NUMBER.

DO NOT SCALE PRINT. UNLESS SPECIFIED DIMENSIONS IN INCHES TOLERANCES ON :	DR 8/2/90 5.RIDGLEY BG	AMP Incorporated Harrisburg, PA 17105-3608	
2 PLC DEC ± -	CHK 4-26-91 R.STONE		
3 PLC DEC ± .005	APPD 4-30-91 K.BEAVER	NAME	
ANGLES ± -	APPD 5-2-91 J.FULPONI	PLUG ASSEMBLY, SHELL SIZE 23, REVERSE SEX, SERIES 1, CPC	
MATERIAL	PRODUCT SPEC	SIZE	CAGE CODE
SEE CALLOUT	-	C	00779
FINISH	APPLICATION SPEC	SCALE	DRAWING NO
-	-	2:1	206305
WEIGHT	-		SHEET
			1 OF 1