

PLEASE CHECK WWW.MOLEX.COM FOR LATEST PART INFORMATION

Part Number: [0955402881](#)
Status: **Active**
Overview: [Magnetic and Modular Jacks and Plugs](#)
Description: [Modular Jack, Right-Angle, Through Hole, 8/8, Int. Shielded, Low Profile, Tray](#)

Documents:

3D Model	Test Summary STR-1438-001 (PDF)
Drawing (PDF)	RoHS Certificate of Compliance (PDF)
Product Specification PS-95540-002-001 (PDF)	Product Literature (PDF)
Application Specification AS-85513-001-001 (PDF)	

Agency Certification

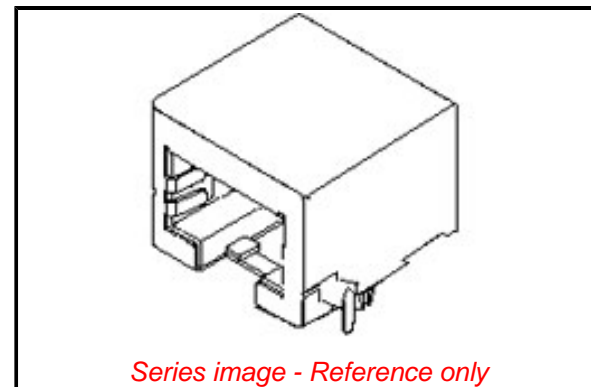
UL E107635

General

Product Family	Modular Jacks/Plugs
Series	95540
Comments	Reflow Capable, Inertnal Shield
Component Type	PCB Jack
Magnetic	No
Overview	Magnetic and Modular Jacks and Plugs
Performance Category	3
Power over Ethernet (PoE)	N/A
Product Literature Order No	987650-8441
Product Name	Modular Jack 8/8, RJ45
UPC	822350913201

Physical

Boot Color	N/A
Color - Resin	Black
Durability (mating cycles max)	2500
Flammability	94V-0
Inverted / Top Latch	No
Jack Height	11.50mm
Lightpipes/LEDs	None
Material - Metal	Copper Alloy
Material - Plating Mating	Gold over Palladium Nickel
Material - Plating Termination	Tin
Material - Resin	High Temperature Thermoplastic
Net Weight	2.611/g
Orientation	Right Angle (Side Entry)
PCB Locator	Yes
PCB Retention	Yes
PCB Thickness - Recommended	1.57mm
Packaging Type	Tray
Pitch - Mating Interface	1.02mm
Pitch - Termination Interface	1.27mm
Plating min - Mating	0.051µm, 0.600µm
Plating min - Termination	1.905µm
Ports	1
Positions / Loaded Contacts	8/8
Surface Mount Compatible (SMC)	No
Temperature Range - Operating	-40° to +85°C
Termination Interface: Style	Through Hole
Waterproof / Dustproof	No
Wire/Cable Type	N/A



EU ELV

Not Relevant

EU RoHS

Compliant

REACH SVHC

Not Contained Per - ED/61/2018 (27 June 2018)

Halogen-Free

Status

Low-Halogen

Need more information on product environmental compliance?

Email productcompliance@molex.com
Please visit the [Contact Us](#) section for any non-product compliance questions.

China ROHS	Green Image
ELV	Not Relevant
RoHS Phthalates	Not Contained

Search Parts in this Series

[95540](#) Series

Mates With

[95043](#) Modular Plug, Short Body

Electrical

Current - Maximum per Contact	1.5A
Grounding to PCB	Yes
Shielded	Yes
Voltage - Maximum	125V DC

Material Info**Reference - Drawing Numbers**

Application Specification	AS-85513-001-001
Product Specification	PS-95540-002-001
Test Summary	STR-1438-001

This document was generated on 08/27/2018

PLEASE CHECK WWW.MOLEX.COM FOR LATEST PART INFORMATION