



## Main

[Us] rated supply voltage	3.6 V nominal
Battery type	Lithium integrated
Battery life	13.6 yr 2 frames/day 4.2 yr 10 frames/day 2.3 yr 20 frames/day
Number of inputs	2 dry contact input(s)
Electrical connection	Cable
Product or component type	Wireless transmitter
Type of license	Registration required
Communication network type	Sigfox Europe
Transmission trigger	1 status frame per day On change on one of the inputs
Max transmission frequency	6 frames/h 50 frames/day
Transmission rate	100 bit/s
Fixing mode	By screws
Height	100 mm
Length	45 mm
Width	50 mm
Product weight	0.216 kg
Radio frequency fields	868 MHz
Radio power	14 dBm
Operating distance	<= 10000 m

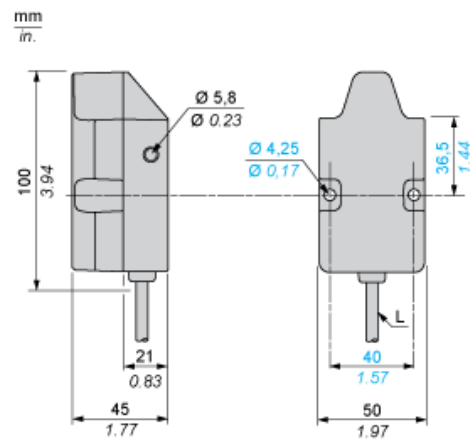
## Complementary

Product destination	Pressure switch XMLA Pressure switch XMLB Pressure switch XMLC Pressure switch XMLD Limit switch XCM Limit switch XCKM Limit switch XCKL Limit switch XCKS Limit switch XCKJ Limit switch XCKN Limit switch XCKP
---------------------	--

## Environment

Directives	1999/5/EC - R&TTE directive
Product certifications	CE SIGFOX ready
Standards	EN 62368-1 EN 301-489-1 ETSI EN 300 220-2
Ambient air temperature for operation	-25...70 °C
IP degree of protection	IP66

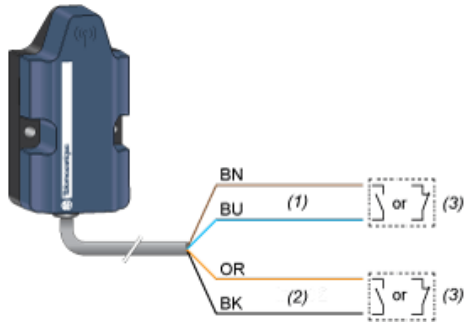
Dimensions



L = 2 m / 6.6 ft.

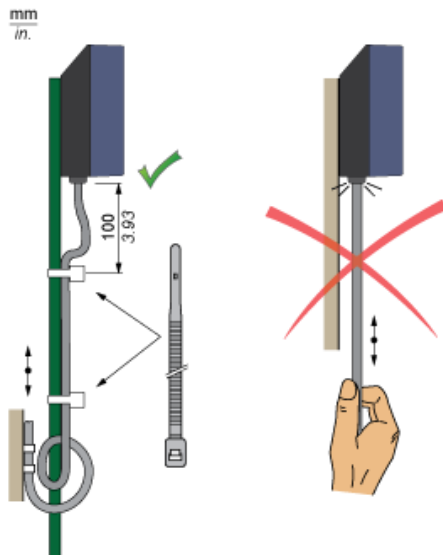
Connections

Wiring Diagram



- (1) : Input 1
- (2) : Input 2
- (3) : Volt-free contact (external signal)
- BN : Brown
- BU : Blue
- OR : Orange
- BK : Black

Wiring Precaution



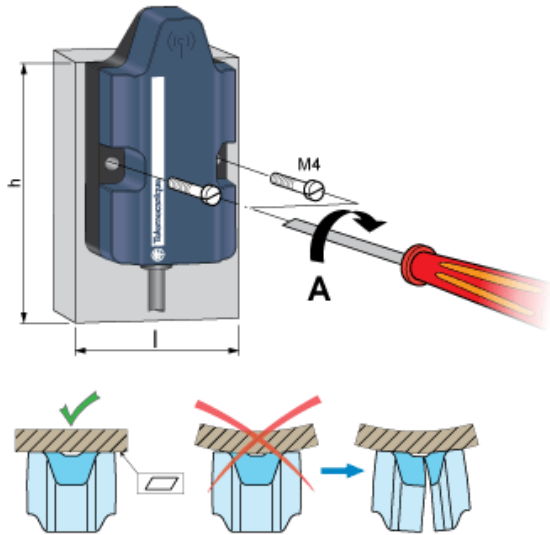
The cable extension, beyond a 3 meters length, requires installation precautions, in case of electrical equipment presence, nearby. Move the cable away from equipment generating electromagnetic interference (transformer, power supply line, electric welding, etc.)

---

Mounting

---

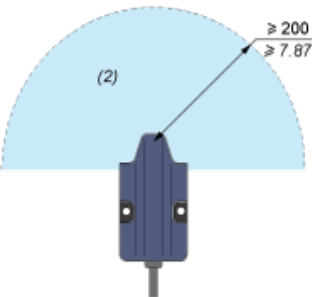
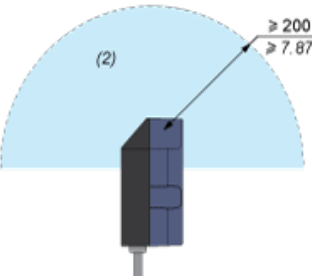
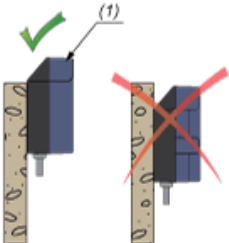
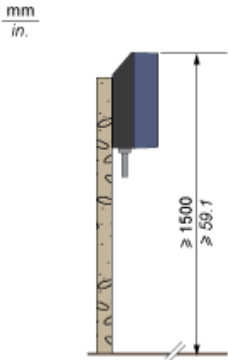
Screw Mounting



l min = 50 mm / 1.97 in.  
h min = 25 mm / 0.98 in.  
A < 3 N.m / 26.6 lb-in

Mounting

Mounting Precautions



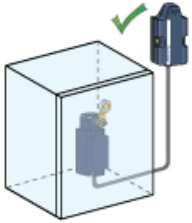
- (1) : Antenna
- (2) : Free area

---

Mounting

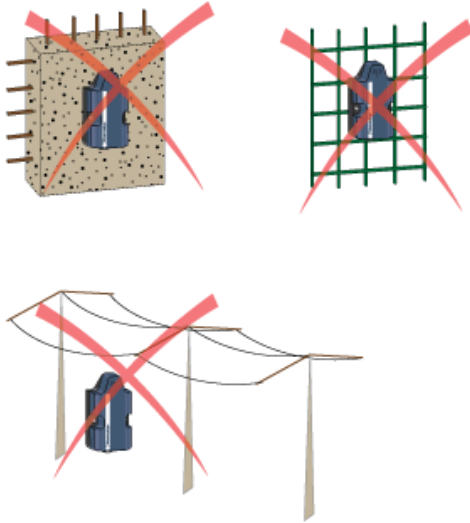
---

Mounting in a Metal Cabinet



Mounting

Signal Attenuation According to the Material



Material	Signal attenuation (%)	Material attenuation (db)
Glass window	10...20% (1)	2
Plaster wall	20...30% (1)	3
Brick wall	50% (1)	6
Concrete wall	70...80% (1)	15
Metal structure	70...100% (1)	30
High voltage grid	50...90% (1)	20

(1) : Values for indication purposes only.

Actual values depend on the thickness and nature of the material.