

**1 Products affected**

Product hierarchy no. *				Part no.	SBU	Type / Description	Customer part no.
SBU	PG	PUG	Type				
02	007	012	0000002051	See list below	Connectors	Appliance Outlet 10A 6600-5	-

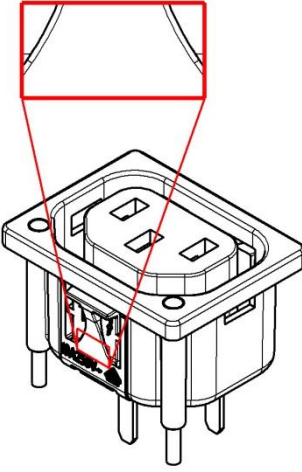
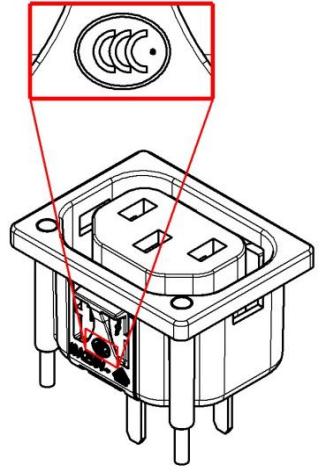
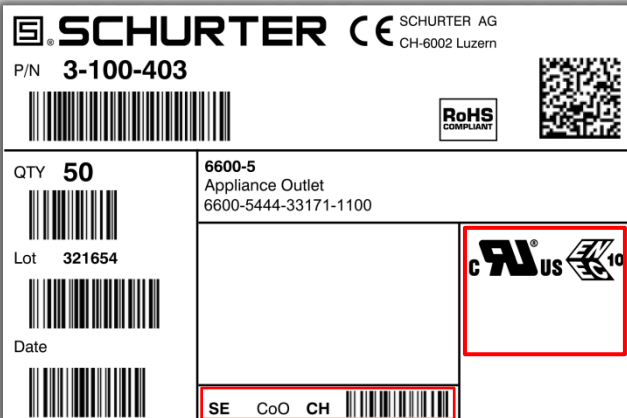
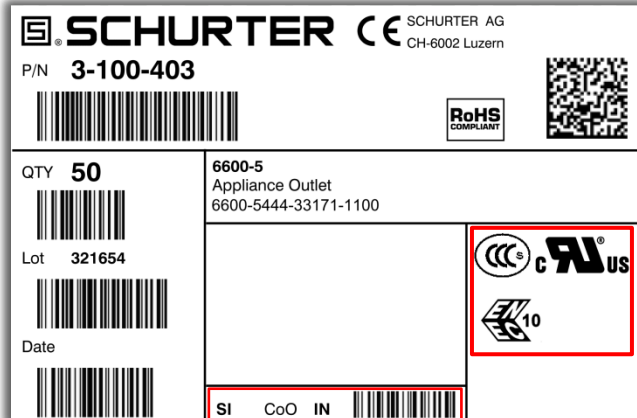
\*SBU (2-digit) / PG (3-digit) / PUG (3-digit) / Type (10-digit)

List of part numbers affected				
3-100-403	3-100-404	3-100-405	3-100-406	3-101-685
3-101-686	3-101-687	3-101-689		

**2 Type of change**

- Change of manufacturing site
- Change of material
- Change of approval
- Change of marking
- Change of packaging label

**3 Detailed description of change**

Old material Polyamid PA6/66	New material Polyamid PA6
Old appearance 	New appearance 
Old packaging label 	New packaging label 

Product Change Notification					PCN 6600-5 - Change of Material, Production Site		
owner	creation date	release date	released by	change order no	rev	page	D10-028-655
vetersa	21.08.2018	20.09.2018	limachcl	2016104	A	1 of 2	

**4 Reason of change**

- Production transfer to India.
- Material consolidation.
- Appearance consolidation (colour and roughness of the front surface according to 4710-5)
- New CCC Approval

**5 Release date**

The change will be rolled-out starting ww 39/2018 (Date code 1839 or higher on label) and lasts approx. 6 months depending on the variant.

**6 Impact of change and recommended action**

Form	Yes	Approval sign: CCC added to moulding part Appearance of front surface
Fit	No	No change for dimension
Function	No	No change in function
Manufacturing	Yes	Change of manufacturing site
Label	Yes	Approval sign: CCC added to packaging label
Packaging	No	No change in packaging

**7 Reference Documents / Attachments**

Kind of document	Remarks
<a href="#">Data Sheet</a>	

Product Change Notification					PCN 6600-5 - Change of Material, Production Site		
owner	creation date	release date	released by	change order no	rev	page	D10-028-655
vetersa	21.08.2018	20.09.2018	limachcl	2016104	A	2 of 2	