



OYN-X | 5MP 4-in-1 P400 CAMERA



Key Features:

- Up to 5MP High Resolution Images
- 2.8mm - 12mm MP Lens
- AHD / TVI / CVI /CVBS Video Output
- Digital Noise Reduction(DNR) 2-DNR
- DC12V
- IR LED 48pcs
- IP66 Protection

SPECIFICATION	5X-P400-VFG
Camera	
Image Sensor	1/2.5" CMOS 5MP (2688 x 1944) Image Sensor
Signal System	PAL / NTSC
Active Pixels	2688 x 1944
Lens	2.8 - 12mm MP Lens
Angle of View	H: 98° - 32°
Horizontal Resolution	5MP @ 20fps / 12.5fps, 4MP @ 25fps / 12.5fps (NRT- ON / OFF). (Confirm your selection through the OSD Menu on the DVR screen)
Brightness	1-100 (Default :32, Adjust the brightness value according to the installed location)
Exit	Save & Exit / Exit / Reset
Min Illumination	0 Lux (IR ON - IR-cut Technology)
Menu	UTC Control
Language	ENG / CHN / GER / FRA / ITA / SPA / POL / RUS / POR / NED / TUR / JPN
Auto Electronic Shutter	PAL:1/50 - 1/100,000 sec, NTSC:1/60 - 1/100,000 sec
Backlight	BLC/ HSBLC / OFF
White Balance	ATW / AWC->SET / Indoor / Outdoor / Manual
Mirror	Mirror / V-Flip / Rotate / Off
Day & Night	Auto / Colour / B/W / Ext
DNR	2-DNR, Off / Low / Middle / High
D-WDR	ON / OFF / AUTO
Video Output	CVBS / CVI / AHD / TVI **Factory Default is TVI (Confirm your selection through the OSD Menu on the DVR screen)
Auto Gain Control	Built-in
Power Supply	DC12V ±10%
Current Consumption	70 mA(IR OFF), 390 mA(IR ON)
IR Led	48 pcs
IR Distance in Effect	40 - 50M
IP Rating	IP66
Storage / Operating Temp.	-50°C ~ +90°C / -30°C ~ +70°C
Dimension / Weight	240 x 105 x 200mm / 1210g

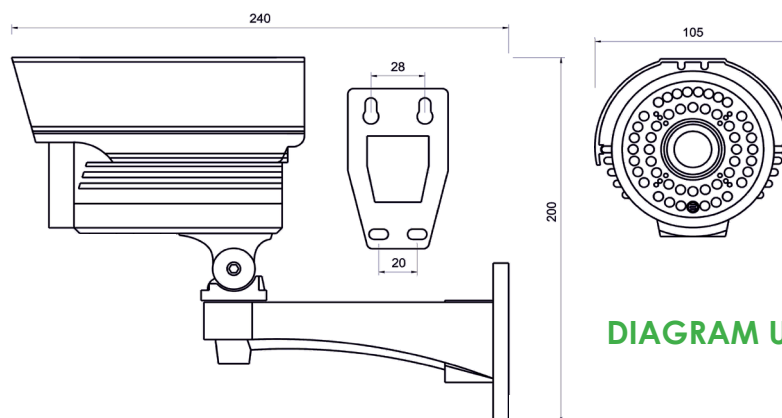


DIAGRAM Unit (mm)

