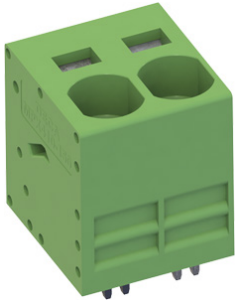


Push-In Spring Type PCB Terminal Block



**RoHS
Compliant**



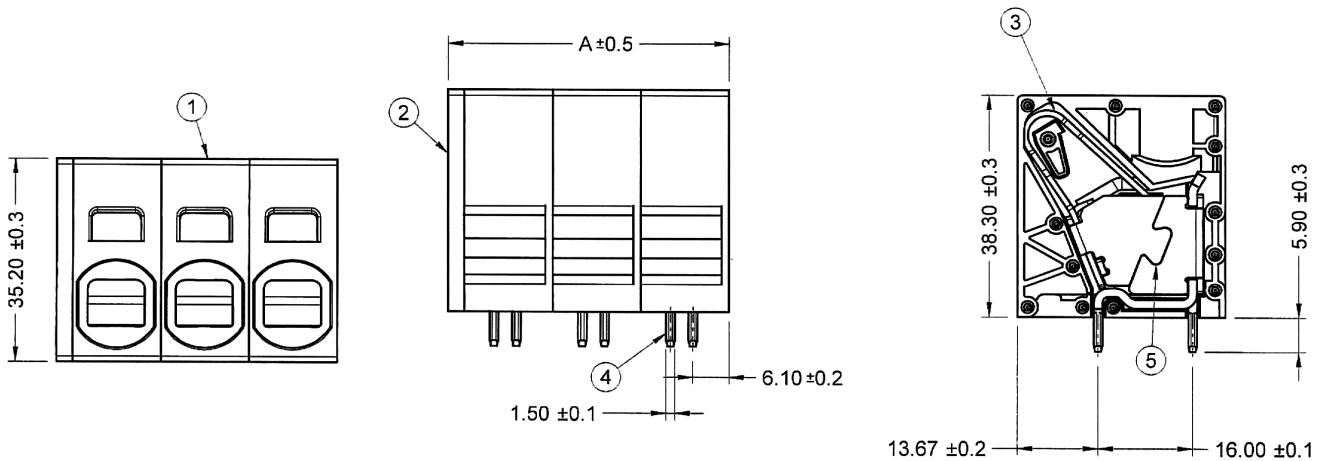
Specifications

No. of Poles : 1 Pole ~ 6 Pole
 Pitch Spacing : 15mm
 Wire Connection Method : Push-In Spring
 Block Orientation : Through Hole Vertical
 PCB Hole Diameter : 2.2mm
 Colour : Green

In accordance to UL/CUL

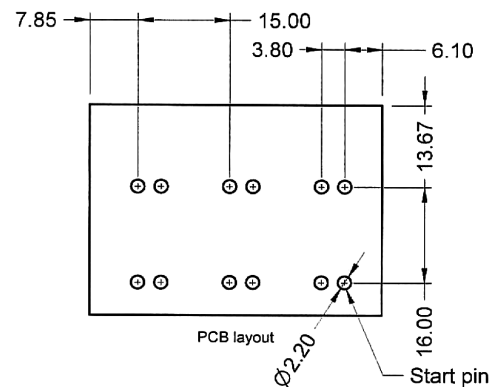
Current Rating : 101A @ AC 600V / 10A @ AC 300V
 Insulation Withstand Voltage : AC 2200V Min.
 Insulation Resistance : >2000MΩ @ DC 500V
 Wire Range : 2 ~ 14AWG
 Operating Temperature : -40°C to + 105°C
 Wire Strip Length : 25mm

Diagram



Material Specifications

No.	Parameter	Description	Plating/Colour
1	Insulating Body	Polyamide 6.6 (UL94V-0)	Green
2	Side Cover	Polyamide 6.6 (UL94V-0)	Green
3	Spring	Stainless Steel	-
4	Contact	Copper	Tin
5	Metal Frame	Steel	Zinc



Dimensions : Millimetres



Part Number Table

Description	"A" mm (Inches)	Part Number
PCB Terminal Block, Push-In Spring, Twin-Pin, 1Pole, 2-14AWG, THT, Green	17.75 (0.699)	MC004208
PCB Terminal Block, Push-In Spring, Twin-Pin, 2Pole, 15mm, 2-14AWG, THT, Green	32.75 (1.289)	MC004209
PCB Terminal Block, Push-In Spring, Twin-Pin, 3Pole, 15mm, 2-14AWG, THT, Green	47.75 (1.88)	MC004210
PCB Terminal Block, Push-In Spring, Twin-Pin, 4Pole, 15mm, 2-14AWG, THT, Green	62.75 (2.47)	MC004211
PCB Terminal Block, Push-In Spring, Twin-Pin, 5Pole, 15mm, 2-14AWG, THT, Green	77.75 (3.061)	MC004212
PCB Terminal Block, Push-In Spring, Twin-Pin, 6Pole, 15mm, 2-14AWG, THT, Green	92.75 (3.652)	MC004213

Important Notice : This data sheet and its contents (the "Information") belong to the members of the Premier Farnell group of companies (the "Group") or are licensed to it. No licence is granted for the use of it other than for information purposes in connection with the products to which it relates. No licence of any intellectual property rights is granted. The Information is subject to change without notice and replaces all data sheets previously supplied. The Information supplied is believed to be accurate but the Group assumes no responsibility for its accuracy or completeness, any error in or omission from it or for any use made of it. Users of this data sheet should check for themselves the Information and the suitability of the products for their purpose and not make any assumptions based on information included or omitted. Liability for loss or damage resulting from any reliance on the Information or use of it (including liability resulting from negligence or where the Group was aware of the possibility of such loss or damage arising) is excluded. This will not operate to limit or restrict the Group's liability for death or personal injury resulting from its negligence. Multicomp is the registered trademark of the Group. © Premier Farnell Limited 2016.