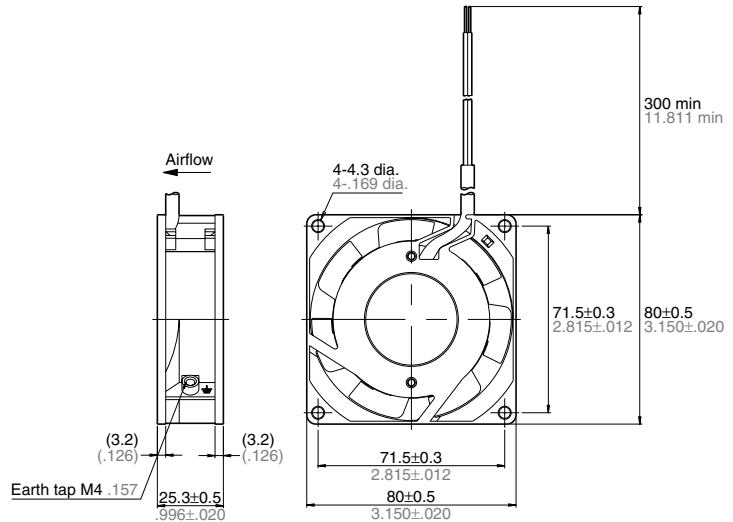


**NEW**



### DIMENSIONS (mm inch)



**RoHS Directive compatibility information**  
<http://www.mew.co.jp/ac/e/environment/>

### RATING

#### Lead wire type, Standard speed

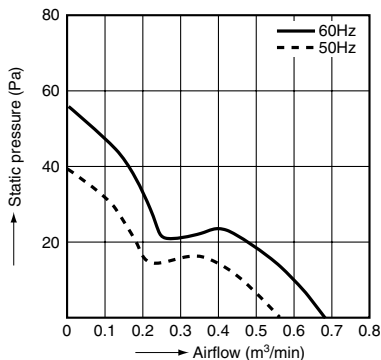
Part number	Rated voltage (V)	Frequency (Hz)	Input power, $\pm 10\%$ (W)	Rated current* <sup>1</sup> (mA)	Locked current* <sup>3</sup> (mA)	Rotation speed* <sup>2</sup> (r/min)	Max. air flow* <sup>2</sup> (m <sup>3</sup> /min)	Max. static pressure* <sup>2</sup> (Pa)	Noise* <sup>3</sup> (dB(A))	Operating voltage range (V) (%)	Weight (kg)
ASEN80214	200	50/60	7/6	60/50	70/60	2500/3000	0.57/0.68	39.0/55.0	24/31 (28.5/35.5)	±10	0.24
ASEN80216	230		7.5/6.5	50/45	60/55						

\*1: Designates maximum values, \*2: Designates minimum values, \*3: Designates average values

Notes: 1. Values above without designations are averages.

2. Noise level was measured at a distance of 1 m from side of fan. Values in brackets were measured at a distance of 1 m from front of fan.

### DATA (Airflow - Static pressure Characteristic Curve)



### MATERIALS USED

Frame: aluminum alloy die-casting  
 Propeller: plastic  
 Bearings: ball bearings  
 Lead wires: UL3266 and AWG22

Label: 200 V class...red base

### SPECIFICATIONS

Ambient temperature	-10°C to +60°C +14°F to +140°F	
Ambient humidity	15 to 85%RH	
Storage temperature	-20°C to +70°C -4°F to +158°F	
Breakdown voltage	1,500 V AC for 1 min. (between charging section and frame)	
Insulation resistance	Min. 100MΩ (at 500 V DC megger)(between charging section and frame)	
Insulation class	UL:A class, CSA:B class	
Vibration resistance	Frequency	10 to 55Hz
	Double amplitude width	0.75mm
	Applied direction	X, Y and Z directions
	Applied time	10 min. in each direction
Protection	Impedance protected	
Mean life	MTTF: 50,000 hrs. (Time it takes until rotation frequency drops 30% of initial value when run continuously under 25°C 77°F and room humidity at the nominal voltage.)	

\* UL and CSA standard: Pending