

ABI-049-RC ELECTRO MECHANICAL INDICATOR

SOUNDERS & BUZZERS

Specifications

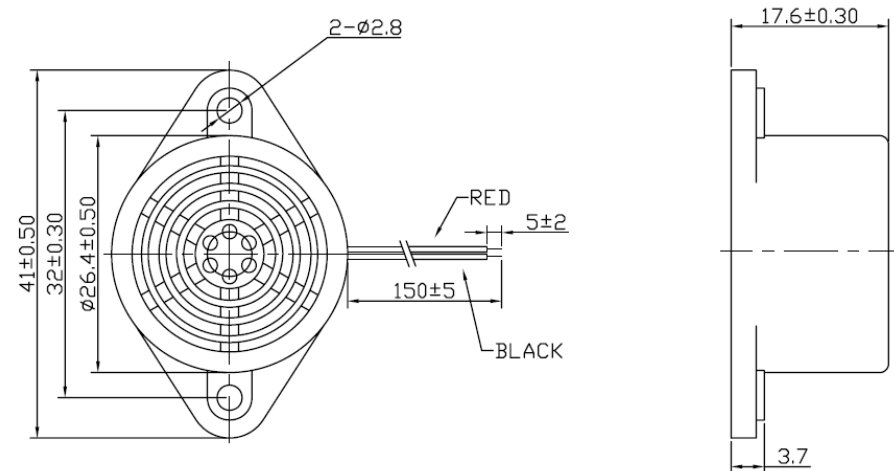
	ABI-049-RC
Rated voltage	12VDC
Operating voltage	7~16VDC
Rated current*	≤23mA
Sound output at 30cm*	≥95dB
Resonant frequency	400±100Hz
Tone	Single
Operating temperature	-20~+60°C
Storage temperature	-30~+70°C
Housing Material	ABS (White)
Lead Material	UL1007 AWG28
Weight	17g

* Value applying at rated voltage (DC)

Features

- ROHS compliant
- White in colour
- Fitted with flying leads
- Panel or base flange mounted
- Housing material: ABS
- With internal drive circuit

All data at 25°C unless otherwise specified



Dimensions Unit: mm Tolerance: ±0.5mm



ALAN BUTCHER COMPONENTS LTD

Alan Butcher Components Ltd

Unit 1 Beechwood Clump Farm Industrial Estate Tin Pot Lane Blandford Dorset DT11 7TD

Telephone 01258 456360 Facsimile 01258 459194 Email sales@abcomponents.co.uk

www.abcomponents.co.uk