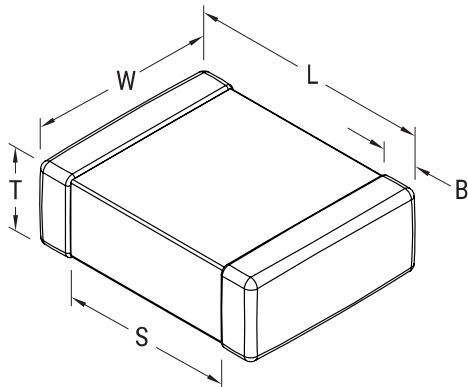


KEMET Part Number: C0805C475M8VACTU
(C0805C475M8VAC7800)

SMD Comm Y5V, Ceramic, 4.7 uF, 20%, 10 VDC, Y5V, SMD, MLCC, General Purpose, Class III, 0805



Dimensions

Dimension	Value
L	2mm +/-0.2mm
W	1.25mm +/-0.2mm
T	1.25mm +/-0.15mm
S	0.75mm MIN
B	0.5mm +/-0.25mm

Packaging Specifications

Packaging:	T&R, 180mm, Plastic Tape
Packaging Quantity:	2500

General Information

Supplier:	KEMET
Series:	SMD Comm Y5V
Style:	SMD Chip
Description:	SMD, MLCC, General Purpose, Class III
Features:	Class III
RoHS:	Yes
Termination:	Tin
Marking:	No
Miscellaneous:	Note: Referee time for Y5V dielectric for this part number is 48 hours
Chip Size:	0805

Specifications

Capacitance:	4.7 uF
Capacitance Tolerance:	20%
Voltage DC:	10 VDC
Dielectric Withstanding Voltage:	25 V
Temperature Range:	-30/+85C
Temperature Coefficient:	Y5V
Dissipation Factor:	10.00% 120Hz 25C
Aging Rate:	7% Loss/Decade Hour
Insulation Resistance:	11 MOhms