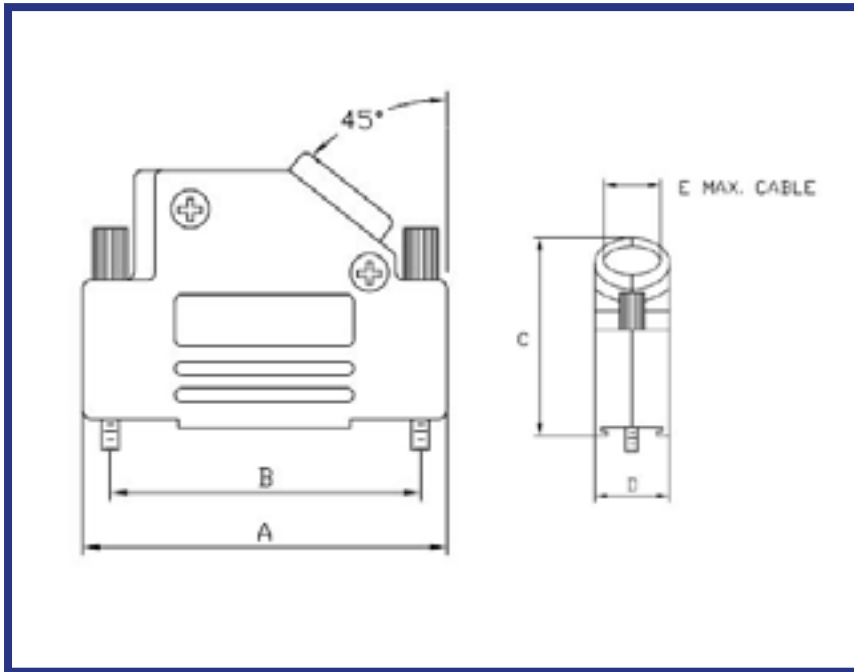


# DATA SHEET

## MHD45ZK SERIES | DIE CAST D-SUB HOOD



Size	A	B	C
9 Way	31.0	36.3	14.5
15 Way	39.5	40.3	14.5
25 Way	53.2	40.3	14.5
37 Way	69.7	40.3	14.5
50 Way	67.4	44.9	17.4

### Technical Specification

Material	Zinc, Nickel Plated
Operating Temperature	-40°C to 120°C
Cable Entry	45° side entry
Thumb Screws	UNC 4-40 (Standard), M2.5 or M3 on request
Cable Diameter	Up to 13mm (9-37) or 17mm (50)

### Main Features

Available in size 9, 15, 25, 37 & 50 way
Excellent EMI Shielding
Re-openable
Strain relief inserts ensure a secure termination
Metallised grommets on request