



Variable frequency drive, 230 V AC, 1-phase, 7 A, 0.75 kW, IP20/NEMA 0, FS1



Part no. **DC1-S27D0NN-A20CE1**
 Catalog No. **186082**
 Eaton Catalog No. **DC1-S27D0NN-A20CE1**
 EL-Nummer **0004137042**
 (Norway)

Delivery program

Product range			Variable frequency drives
Part group reference (e.g. DIL)			DC1
Rated operational voltage	U_e		230 V AC, 1-phase 240 V AC, single-phase
Output voltage with V_e	U_2		230 V AC, single-phase 240 V AC, single-phase
Mains voltage (50/60Hz)	U_{LN}	V	200 (-10%) - 240 (+10%)
Rated operational current			
At 150% overload	I_e	A	7
Note			Rated operational current at an operating frequency of 16 kHz and an ambient air temperature of +50 °C
Assigned motor rating			
Note			For AC motors with internal and external ventilation with 50/60 Hz without additional start capacitor
Note			Overload cycle for 60 s every 600 s
Note			at 230 V, 50 Hz
150 % Overload	P	kW	0.75
150 % Overload	I_M	A	7
Note			at 220 - 240 V, 60 Hz
150 % Overload	P	HP	1
150 % Overload	I_M	A	6.8
Degree of Protection			IP20/NEMA 0
Interface/field bus (built-in)			OP-Bus (RS485)/Modbus RTU, CANopen®
Fieldbus connection (optional)			SmartWire-DT
Fitted with			7-digital display assembly
Frame size			FS1
Connection to SmartWire-DT			yes in conjunction with DX-NET-SWD3 SmartWire DT module

Technical data

General

Standards			Specification for general requirements: IEC/EN 61800-2 EMC requirements: IEC/EN 61800-3 Safety requirements: IEC/EN 61800-5-1
Certifications			CE, UL, cUL, RCM, Ukr SEPRO, EAC
Production quality			RoHS, ISO 9001
Climatic proofing	ρ_w	%	< 95%, average relative humidity (RH), non-condensing, non-corrosive
Ambient temperature			
operation (150 % overload)	θ	°C	-10 - +50
Storage	θ	°C	-40 - +60
Mounting position			Vertical
Altitude		m	0 - 1000 m above sea level Above 1000 m: 1% derating for every 100 m max. 4000 m
Degree of Protection			IP20/NEMA 0
Protection against direct contact			BGV A3 (VBG4, finger- and back-of-hand proof)

Main circuit

Supply			
--------	--	--	--

Rated operational voltage	U_e		230 V AC, 1-phase 240 V AC, single-phase
Mains voltage (50/60Hz)	U_{LN}	V	200 (-10%) - 240 (+10%)
Input current (150% overload)	I_{LN}	A	12.9
System configuration			AC supply systems with earthed center point
Supply frequency	f_{LN}	Hz	50/60
Frequency range	f_{LN}	Hz	48 - 62
Mains switch-on frequency			Maximum of one time every 30 seconds
Power section			
Function			Variable frequency drive with internal DC link and IGBT inverter
Overload current (150% overload)	I_L	A	10.5
max. starting current (High Overload)	I_H	%	175
Note about max. starting current			for 3.75 seconds every 600 seconds
Output voltage with V_e	U_2		230 V AC, single-phase 240 V AC, single-phase
Output Frequency	f_2	Hz	0 - 50/60 (max. 500)
Switching frequency	f_{PWM}	kHz	16 adjustable 4 - 32 (audible)
Operation Mode			U/f control Speed control with slip compensation
Frequency resolution (setpoint value)	Δf	Hz	0.1
Rated operational current			
At 150% overload	I_e	A	7
Note			Rated operational current at an operating frequency of 16 kHz and an ambient air temperature of +50 °C
Power loss			
Heat dissipation at rated operational current $I_e = 150\%$	P_V	W	37.5
Efficiency	η	%	95
Maximum leakage current to ground (PE) without motor	I_{PE}	mA	< 1
Fitted with			7-digital display assembly
Frame size			FS1
Motor feeder			
Note			For AC motors with internal and external ventilation with 50/60 Hz without additional start capacitor
Note			Overload cycle for 60 s every 600 s
Note			at 230 V, 50 Hz
150 % Overload	P	kW	0.75
Note			at 220 - 240 V, 60 Hz
150 % Overload	P	HP	1
maximum permissible cable length	l	m	screened: 50 screened, with motor choke: 100 unscreened: 75 unscreened, with motor choke: 150
Apparent power			
Apparent power at rated operation 230 V	S	kVA	1.61
Apparent power at rated operation 240 V	S	kVA	1.68
Braking function			
DC braking torque			max. 100% of rated operational current I_e , variable
Control section			
Reference voltage	U_s	V	10 V DC (max. 10 mA)
Analog inputs			2, parameterizable, 0 - 10 V DC, 0/4 - 20 mA
Analog outputs			1, parameterizable, 0 - 10 V
Digital inputs			4, parameterizable, max. 30 V DC
Digital outputs			1, parameterizable, 24 V DC
Relay outputs			1, parameterizable, N/O, 6 A (250 V, AC-1) / 5 A (30 V, DC-1)
Interface/field bus (built-in)			OP-Bus (RS485)/Modbus RTU, CANopen®
Assigned switching and protective elements			
Power Wiring			

Safety device (fuse or miniature circuit-breaker)			
IEC (Type B, gG), 150 %			FAZ-B16/1N
UL (Class CC or J)		A	15
Mains contactor			
150 % overload (CT/I _H , at 50 °C)			DILEM-... + P1DILEM
Main choke			
150 % overload (CT/I _H , at 50 °C)			DX-LN1-018
Radio interference suppression filter (external, 150 %)			DX-EMC12-014-FS1

Design verification as per IEC/EN 61439

Technical data for design verification			
Rated operational current for specified heat dissipation	I _n	A	7
Heat dissipation per pole, current-dependent	P _{vid}	W	0
Equipment heat dissipation, current-dependent	P _{vid}	W	37.5
Static heat dissipation, non-current-dependent	P _{vs}	W	0
Heat dissipation capacity	P _{diss}	W	0
Operating ambient temperature min.		°C	-10
Operating ambient temperature max.		°C	50
IEC/EN 61439 design verification			
10.2 Strength of materials and parts			
10.2.2 Corrosion resistance			
			Meets the product standard's requirements.
10.2.3.1 Verification of thermal stability of enclosures			
			Meets the product standard's requirements.
10.2.3.2 Verification of resistance of insulating materials to normal heat			
			Meets the product standard's requirements.
10.2.3.3 Verification of resistance of insulating materials to abnormal heat and fire due to internal electric effects			
			Meets the product standard's requirements.
10.2.4 Resistance to ultra-violet (UV) radiation			
			Meets the product standard's requirements.
10.2.5 Lifting			
			Does not apply, since the entire switchgear needs to be evaluated.
10.2.6 Mechanical impact			
			Does not apply, since the entire switchgear needs to be evaluated.
10.2.7 Inscriptions			
			Meets the product standard's requirements.
10.3 Degree of protection of ASSEMBLIES			
			Does not apply, since the entire switchgear needs to be evaluated.
10.4 Clearances and creepage distances			
			Meets the product standard's requirements.
10.5 Protection against electric shock			
			Does not apply, since the entire switchgear needs to be evaluated.
10.6 Incorporation of switching devices and components			
			Does not apply, since the entire switchgear needs to be evaluated.
10.7 Internal electrical circuits and connections			
			Is the panel builder's responsibility.
10.8 Connections for external conductors			
			Is the panel builder's responsibility.
10.9 Insulation properties			
10.9.2 Power-frequency electric strength			
			Is the panel builder's responsibility.
10.9.3 Impulse withstand voltage			
			Is the panel builder's responsibility.
10.9.4 Testing of enclosures made of insulating material			
			Is the panel builder's responsibility.
10.10 Temperature rise			
			The panel builder is responsible for the temperature rise calculation. Eaton will provide heat dissipation data for the devices.
10.11 Short-circuit rating			
			Is the panel builder's responsibility. The specifications for the switchgear must be observed.
10.12 Electromagnetic compatibility			
			Is the panel builder's responsibility. The specifications for the switchgear must be observed.
10.13 Mechanical function			
			The device meets the requirements, provided the information in the instruction leaflet (IL) is observed.

Technical data ETIM 7.0

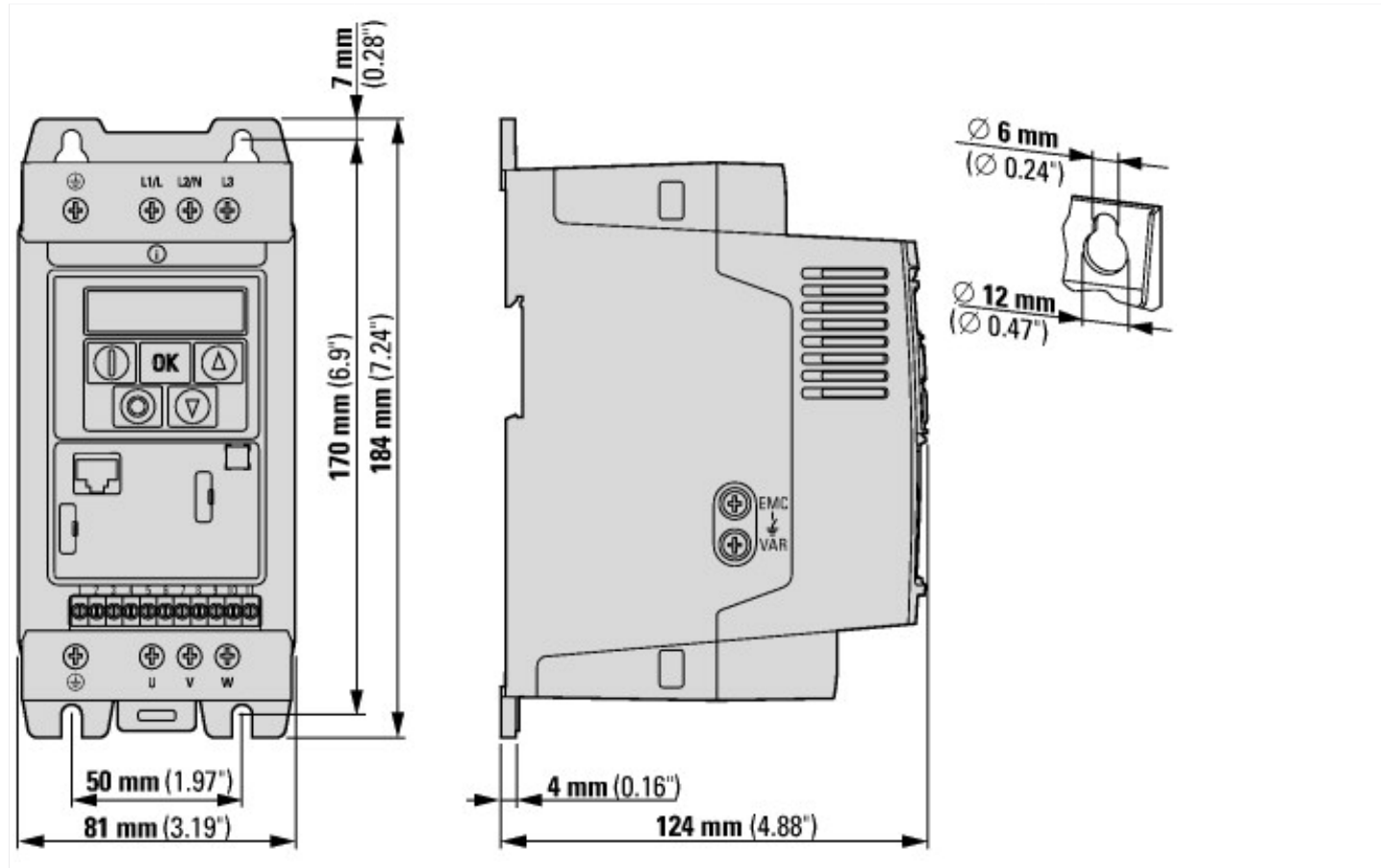
Low-voltage industrial components (EG000017) / Frequency converter =< 1 kV (EC001857)			
Electric engineering, automation, process control engineering / Electrical drive / Static frequency converter / Static frequency converter = < 1 kV (ec@ss10.0.1-27-02-31-01 [AKE177014])			
Mains voltage		V	200 - 240
Mains frequency			50/60 Hz
Number of phases input			1
Number of phases output			1
Max. output frequency		Hz	500
Max. output voltage		V	250

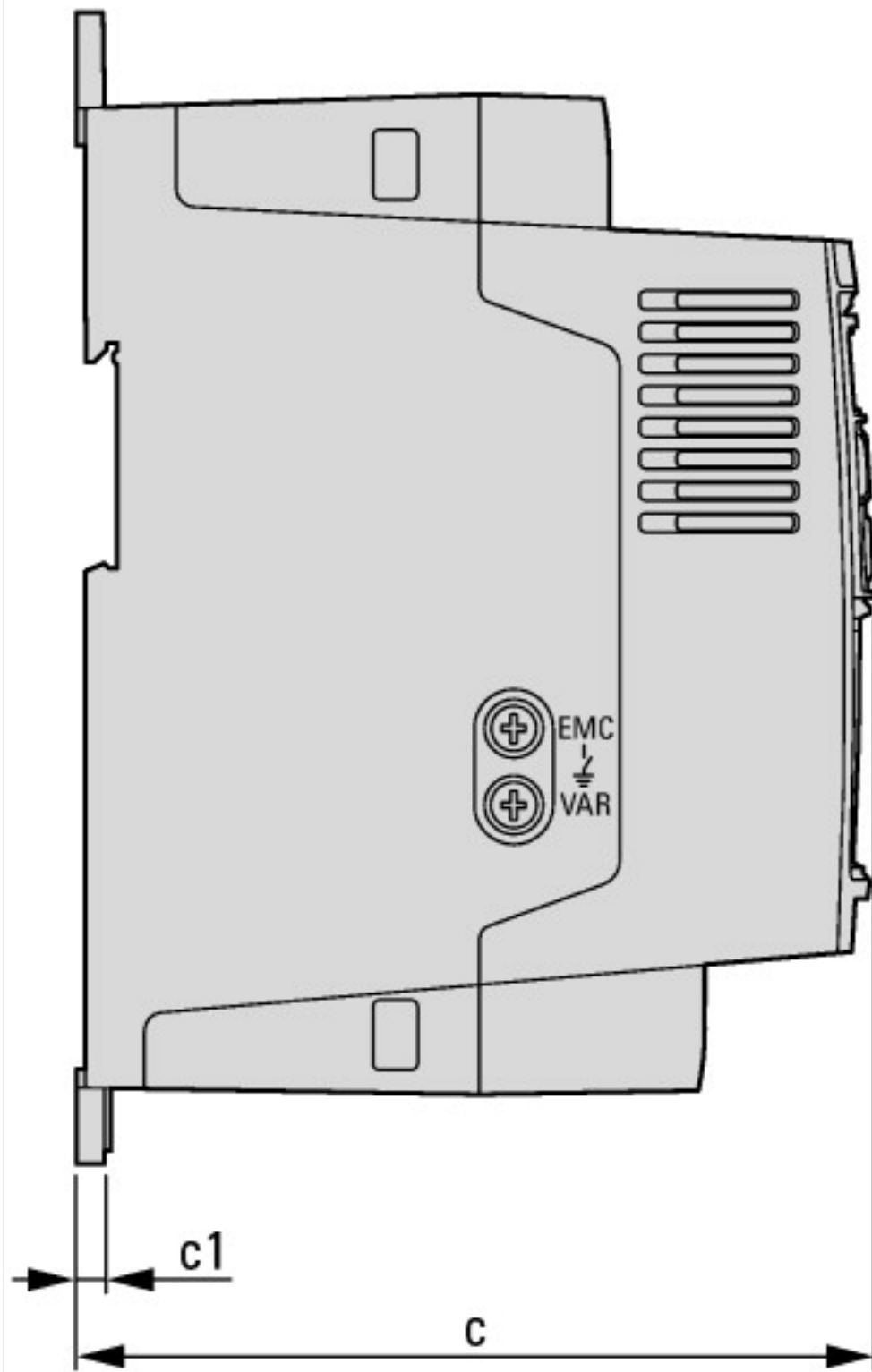
Nominal output current I _{2N}	A	7
Max. output at quadratic load at rated output voltage	kW	0.75
Max. output at linear load at rated output voltage	kW	0.75
Relative symmetric net frequency tolerance	%	10
Relative symmetric net voltage tolerance	%	10
Number of analogue outputs		1
Number of analogue inputs		2
Number of digital outputs		1
Number of digital inputs		4
With control unit		Yes
Application in industrial area permitted		Yes
Application in domestic- and commercial area permitted		Yes
Supporting protocol for TCP/IP		No
Supporting protocol for PROFIBUS		No
Supporting protocol for CAN		Yes
Supporting protocol for INTERBUS		No
Supporting protocol for ASI		No
Supporting protocol for KNX		No
Supporting protocol for MODBUS		Yes
Supporting protocol for Data-Highway		No
Supporting protocol for DeviceNet		No
Supporting protocol for SUCONET		No
Supporting protocol for LON		No
Supporting protocol for PROFINET IO		No
Supporting protocol for PROFINET CBA		No
Supporting protocol for SERCOS		No
Supporting protocol for Foundation Fieldbus		No
Supporting protocol for EtherNet/IP		Yes
Supporting protocol for AS-Interface Safety at Work		No
Supporting protocol for DeviceNet Safety		No
Supporting protocol for INTERBUS-Safety		No
Supporting protocol for PROFIsafe		No
Supporting protocol for SafetyBUS p		No
Supporting protocol for BACnet		No
Supporting protocol for other bus systems		Yes
Number of HW-interfaces industrial Ethernet		0
Number of interfaces PROFINET		0
Number of HW-interfaces RS-232		0
Number of HW-interfaces RS-422		0
Number of HW-interfaces RS-485		1
Number of HW-interfaces serial TTY		0
Number of HW-interfaces USB		0
Number of HW-interfaces parallel		0
Number of HW-interfaces other		0
With optical interface		No
With PC connection		Yes
Integrated breaking resistance		No
4-quadrant operation possible		No
Type of converter		U converter
Degree of protection (IP)		IP20
Degree of protection (NEMA)		Other
Height	mm	184
Width	mm	81
Depth	mm	124

Approvals

Product Standards	UL 508C; CSA-C22.2 No. 14; IEC/EN61800-3; IEC/EN61800-5; CE marking
UL File No.	E172143
UL Category Control No.	NMMS, NMMS7
CSA File No.	UL report applies to both US and Canada
North America Certification	UL listed, certified by UL for use in Canada
Specially designed for North America	No
Suitable for	Branch circuits
Max. Voltage Rating	1~ 240 V AC IEC: TN-S UL/CSA: "Y" (Solidly Grounded Wey)
Degree of Protection	IEC: IP20

Dimensions





Additional product information (links)

IL04020014Z DC1 variable frequency drive (FS1 - FS3, IP20)

IL04020014Z DC1 variable frequency drive (FS1 - FS3, IP20) ftp://ftp.moeller.net/DOCUMENTATION/AWA_INSTRUCTIONS/IL04020014Z2018_05.pdf

MN040023 DC1...E1 Installation manual

MN040023 DC1...E1 Installationshandbuch - Deutsch ftp://ftp.moeller.net/DOCUMENTATION/AWB_MANUALS/MN040023_DE.pdf

MN040023 DC1...E1 Installation manual - English ftp://ftp.moeller.net/DOCUMENTATION/AWB_MANUALS/MN040023_EN.pdf

MN040023 DC1...E1 manuale Installazione - italiano ftp://ftp.moeller.net/DOCUMENTATION/AWB_MANUALS/MN040023_IT.pdf

MN040023 DC1...E1 podręcznik instalacji - polski ftp://ftp.moeller.net/DOCUMENTATION/AWB_MANUALS/MN040023_PL.pdf

MN040022 DC1...E1, Parameters manual

MN040022 DC1...E1, Parameterhandbuch - Deutsch ftp://ftp.moeller.net/DOCUMENTATION/AWB_MANUALS/MN040022_DE.pdf

MN040022 DC1...E1, Parameters manual - English	ftp://ftp.moeller.net/DOCUMENTATION/AWB_MANUALS/MN040022_EN.pdf
MN040022 DC1...E1, manuale Parametri - italiano	ftp://ftp.moeller.net/DOCUMENTATION/AWB_MANUALS/MN040022_IT.pdf
MN040022 DC1...E1, podręcznik parametrów - polski	ftp://ftp.moeller.net/DOCUMENTATION/AWB_MANUALS/MN040022_PL.pdf
CA04020001Z-EN Product Range Catalog: Efficient Engineering for Starting and Controlling Motors	http://www.eaton.eu/DE/ecm/groups/public/@pub/@europe/@electrical/documents/content/pct_1095238.pdf