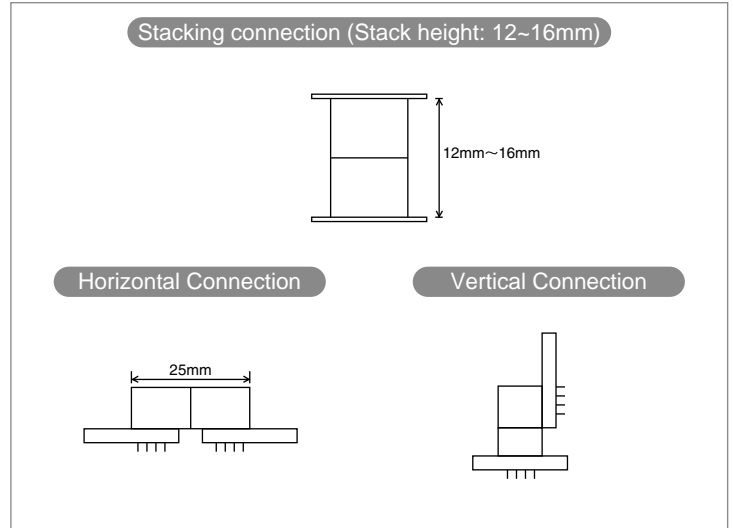


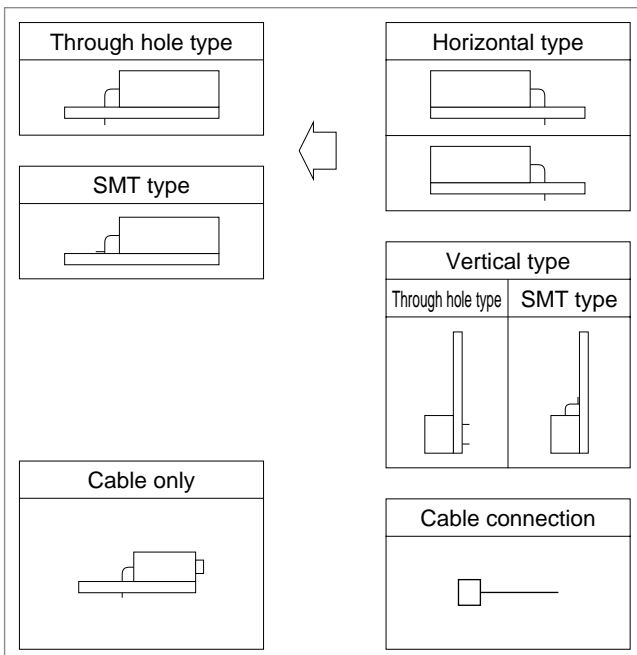
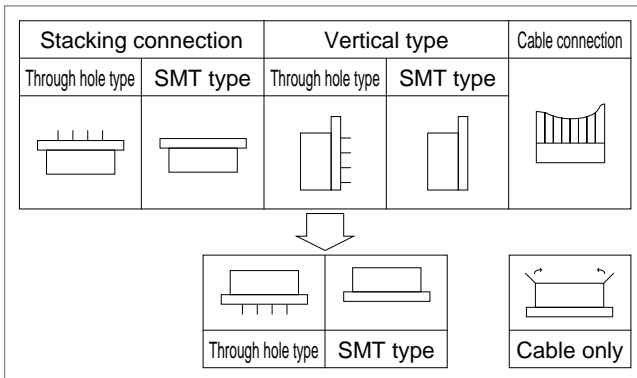
# 1.27mm Pitch Multi-function Two Piece Connector

## FX2 Series



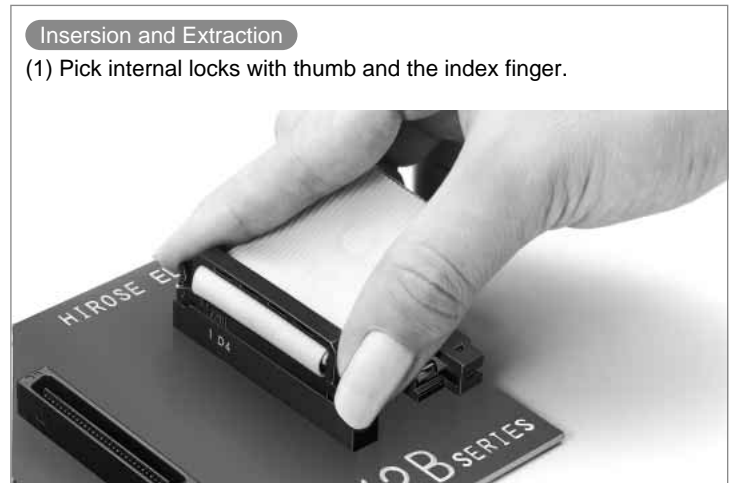
### ■ Features

#### 1. Various connection with various product line



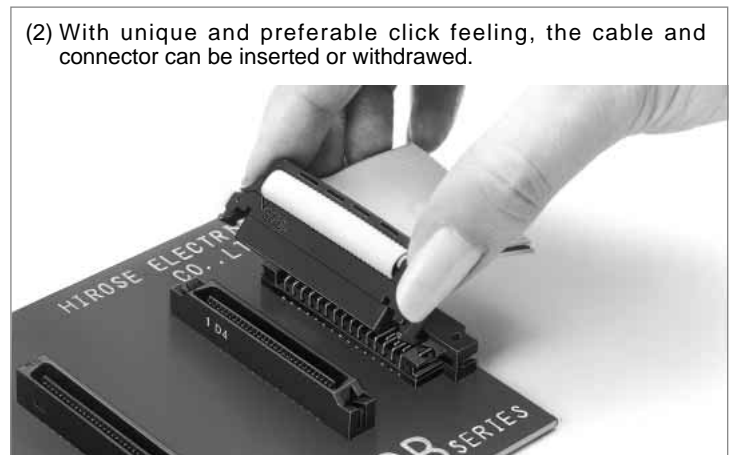
#### 2. Easy One-Touch Operation

The ribbon cable connection type allows easy one-touch operation with either single hand.



#### Insertion and Extraction

(1) Pick internal locks with thumb and the index finger.



(2) With unique and preferable click feeling, the cable and connector can be inserted or withdrawn.

(For insertion, the operation proceeds from procedure (2) to (1).)

### 3. Board to board type

① Flux swell prevention

The straight through hole type takes the complete flux tight action from the board back side at solder dipping. The type is prepared, corresponding to whether or not cleaning is required.

② Stack height 12mm to 16mm

The board stack height can be set to every 1 mm unit up to 12 to 16mm.

③ Mis-insertion preventive mechanism

The mating area is designed in a mechanism so as to prevent mis-insertion, and complete countermeasures have been taken against wrenching.

### 4. Board to cable type

① Complete lock with easy operation

Employing the inner lock system, complete lock and eject actions can be performed with easy operation.

② Applicable cable

The applicable cable is the <UL2651>AWG#28 flat cable (7/0.127mm), and the jacket size is 0.9±0.1mm.

### 5. SMT type

#### Strength security with metaltab

The right angle type is equipped with metaltab to secure soldering strength, and constructed so as to fix by screws. The straight type can choose whether or not metaltab are required.

## ■Applications

Computers, peripheral equipments, various machines etc.

## ■Product Specifications

Rating	Current rating 0.5A Voltage rating 125V AC	Operating Temperature Range -55°C to +85°C (Note 1) Operating Humidity Range 40 to 80%	Storage Temperature Range -10°C to +60°C (Note 2) Storage Humidity Range 40 to 70% (Note 2)
--------	---	---	--

Item	Specification	Condition
1. Insulation Resistance	1000M ohms min	250V DC
2. Withstanding Voltage	No flashover or insulation breakdown.	300V AC/1 minute
3. Contact Resistance	45m ohms max.	100mA
4. Vibration	No electrical discontinuity of 1μs or more	Frequency: 10 to 55 Hz, single amplitude of 0.75 mm, 2 hours in each of the 3 directions.
5. Humidity (Steady state)	Contact resistance: 55m ohms max. Insulation resistance: 100M ohms min.	96 hours at temperature of 40°C and humidity of 90% to 95%
6. Temperature Cycle	Contact resistance: 55m ohms max. Insulation resistance: 100M ohms min. No damage, cracks, or parts looseness.	(-55°C: 30 minutes → 15 to 35°C: 2 to 3 minutes → 85°C: 30 minutes → 15 to 35°C: 2 to 3 minutes) 5 cycles
7. Durability (Mating/un-mating)	Contact resistance: 55 m ohms max.	500 cycles
8. Resistance to soldering heat	No deformation of components affecting performance.	SMT Type Reflow: At the recommended temperature profile Manual soldering: 360°C for 5 seconds
		DIP Type Solder bath: 260°C for 10 seconds Manual soldering: 360°C for 5 seconds

Note 1: Includes temperature rise caused by current flow.

Note 2: The term "storage" refers to products stored for long period of time prior to mounting and use. Operating Temperature Range and Humidity range covers non conducting condition of installed connectors in storage, shipment or during transportation.

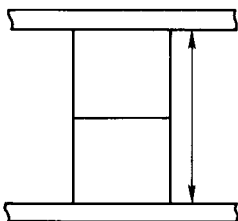
Note 3: Information contained in this catalog represents general requirements for this Series. Contact us for the drawings and specifications for a specific part number shown.

## ■Material

Parts	Material	Finish	Remark
Insulator	Dip type	Polyamid	UL94V-0
	Socket	PBT/Polyamid	
	SMT type	PPS	
Contact	Receptacle	Phosphor bronze	Selective gold plated
	Socket		
	Header	Phosphor bronze or brass	

## ■Stacking Variation

Unit:mm



Header	Receptacle	Dip type		SMT type
		FX2C-*S-1.27DSA(L)	FX2C2-*S-1.27DSA(L)	FX2-*S-1.27SV(L)
Dip type	FX2C-*P-1.27DSA(L)	12	14.0	12.2
	FX2CA-*P-1.27DSA(L)			
	FX2CA1-*P-1.27DSA(L)	13	15.0	13.2
	FX2CA2-*P-1.27DSA(L)	14	16.0	14.2
SMT type	FX2-*P-1.27SV(L)	12.1	14.1	12.3

## Ordering Information

### Board to Board Receptacle

FX2   CA 2 - \* S - 1.27 DSA L  
①   ② ③   ④ ⑤   ⑥   ⑦   ⑧

① Series Name :FX2	④ Number of contacts: 20, 32, 40, 52, 60, 68, 80, 100, 120
② Blank: Right angle type C : Straight non-cleaning type CA : Straight cleaning type	⑤ Connector type: S: Receptacle ⑥ Contact pitch: 1.27mm
③ Product height variation (DSA only) Blank : Standard product 2 : +2mm	⑦ Contact type DS : Right angle type DSA : Straight type ⑧ L: Board prefixed pin

### Board to Board Header

FX2   CA 1 - \* P - 1.27 DSA L  
①   ② ③   ④ ⑤   ⑥   ⑦   ⑧

① Series Name :FX2	④ Number of contacts: 20, 32, 40, 52, 60, 68, 80, 100, 120
② None : Right angle type C : Straight non-cleaning type CA : Straight cleaning type	⑤ Connector type: P: header ⑥ Contact pitch: 1.27mm
③ Product height variation (DSA only) Blank : Standard product 1 : +1mm 2 : +2mm	⑦ Contact type: DS : Right angle type DSA : Straight type ⑧ L: Board prefixed pin

Note 1. C and CA take complete countermeasures against flux.

Note 2. Cleaning type: the liquid escape hole is added at dip cleaning.

Note 3. No-cleaning type: no liquid escape hole is added at dip cleaning.

### Board to Cable Socket

FX2   BA - \* S A - 1.27 R  
①   ②   ③   ④ ⑤   ⑥   ⑦

① Series Name : FX2	④ S: Socket
② B : Lock cable type BA : No lock cable type	⑤ A: Contact material: phosphor bronze ⑥ Contact pitch: 1.27mm
③ Number of contacts: 20, 32, 40, 52, 60, 68, 80, 100	⑦ R: Insulation displacement

● Board to Cable Header

FX2   BA - \* P A - 1.27 DSA L  
①      ②      ③   ④   ⑤      ⑥      ⑦      ⑧

① Series Name : FX2	⑤ None : Contact material: phosphor bronze A : Contact material: brass
② B : Lock straight no cleaning type : Lock right angle type BA : Lock straight cleaning type	⑥ Contact pitch: 1.27mm
③ Number of contacts: 20, 32, 40, 52, 60, 68, 80, 100	⑦ Contact type: DS : Right angle type DSA : Straight type
④ Connector type: P: header	⑧ L: Board prefixed pin

Note 1. Cleaning type: The liquid escape hole is added at dip cleaning.  
 Note 2. No cleaning type: No liquid escape hole is added at dip cleaning.  
 Note 3. Straight 20 and 32 contact types use phosphor bronze for contact material.

● Straight SMT Type

FX2 - \* P - 1.27 SV L  
①      ②   ③      ④      ⑤   ⑥

① Series Name :FX2	④ Contact pitch: 1.27mm
② Number of contacts: 20, 32, 40, 52, 60, 68, 80, 100, 120	⑤ Contact type: SV: Straight SMT type
③ Connector type: P: Header S: Receptacle	⑥ L: Board prefixed pin

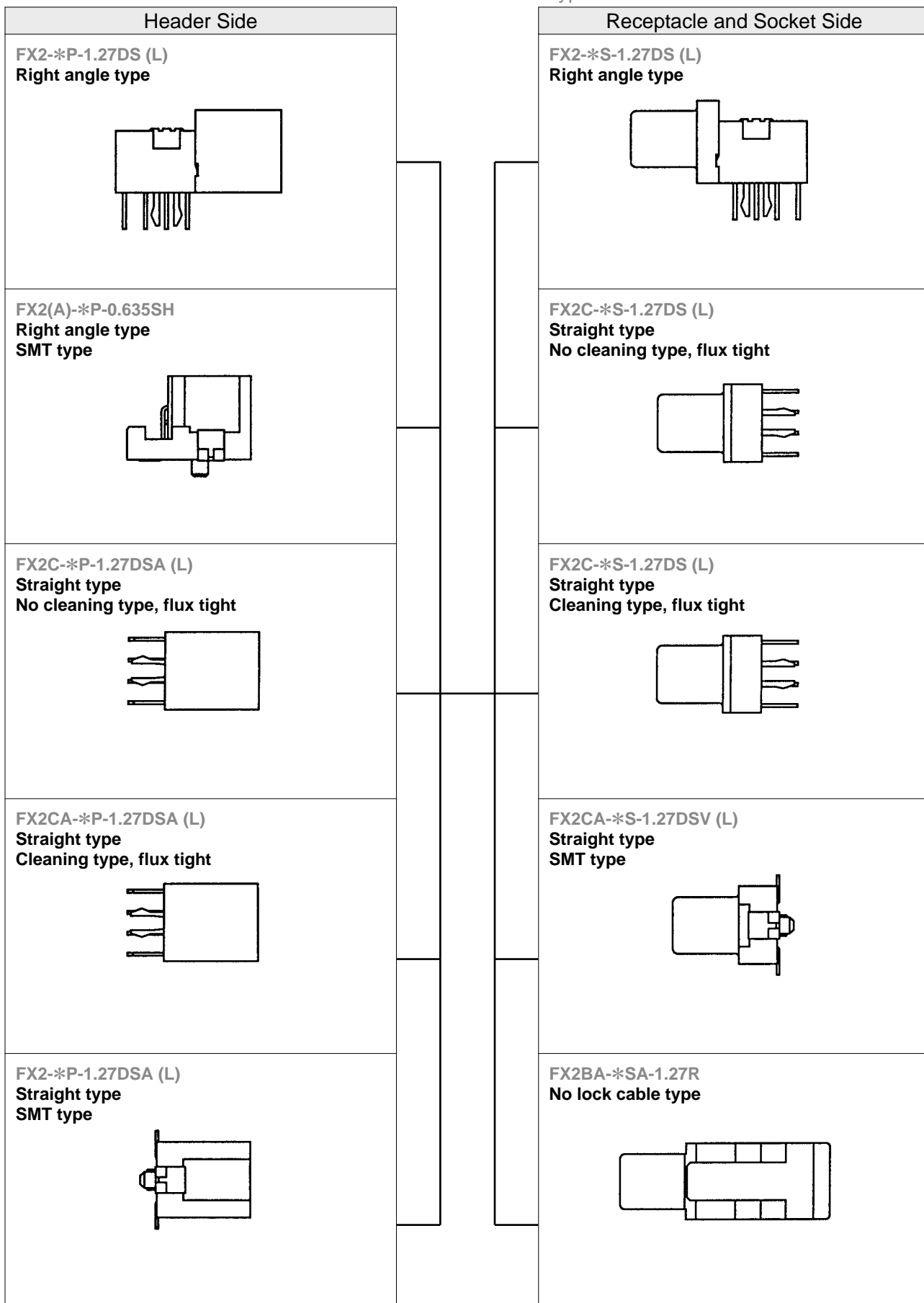
● Header Right Angle SMT Type

FX2   A - \* P - 0.635 SH  
①      ②      ③   ④      ⑤      ⑥

① Series Name :FX2	④ Connector type: P: Header
② Blank: With boss A : Without boss	⑤ Mounting area pitch: 0.635mm
③ Number of contacts: 20, 40, 52, 60, 80	⑥ Contact type SH: Right angle SMT type

# ◆ FX2 Functional Flow Chart

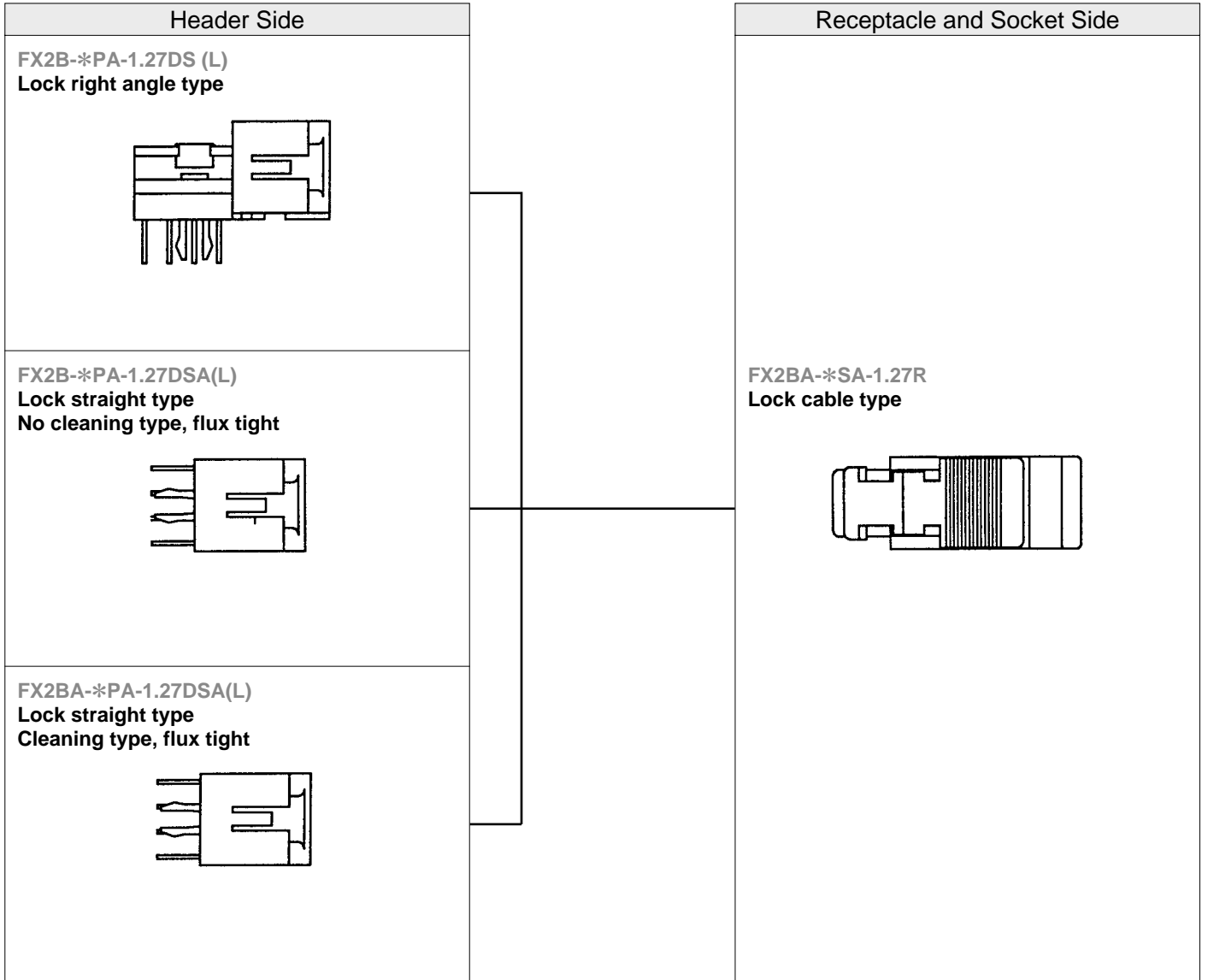
Board to Board Cable Type



Oct.1.2018 Copyright 2018 HIROSE ELECTRIC CO., LTD. All Rights Reserved.

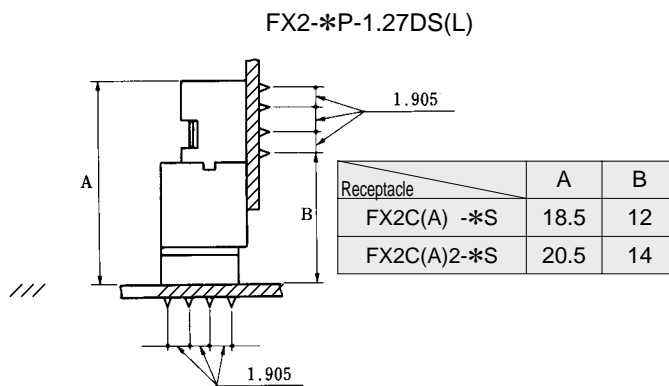
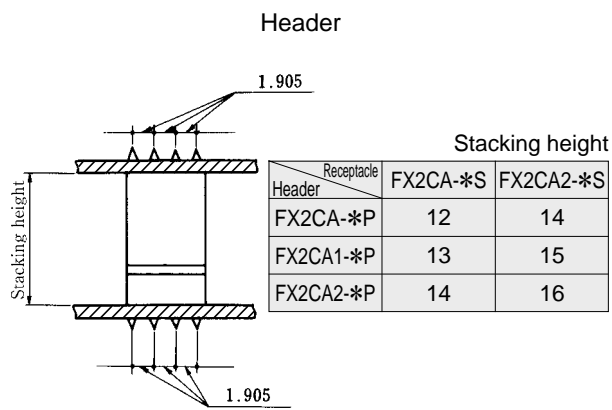
## ◆ FX2 Functional Flow Chart

Board to Board Cable Type



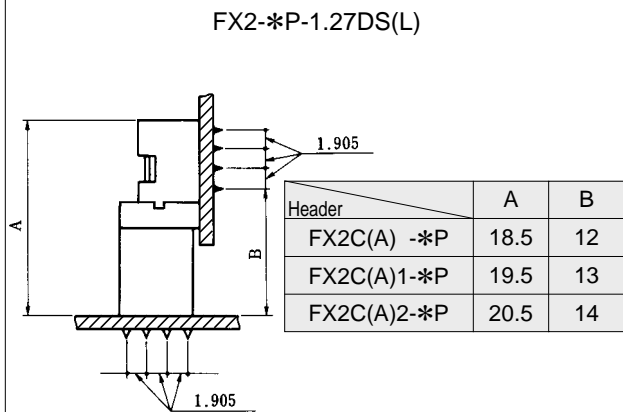
Oct.1.2018 Copyright 2018 HIROSE ELECTRIC CO., LTD. All Rights Reserved.

### ◆ Through hole Type Application Pattern

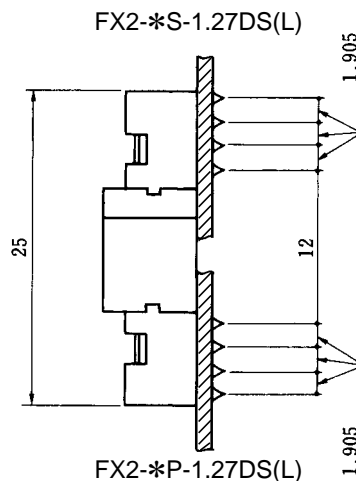


**Receptacle**

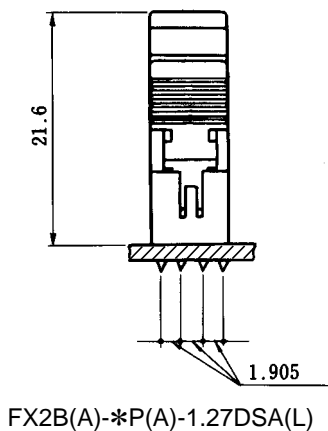
**Receptacle**



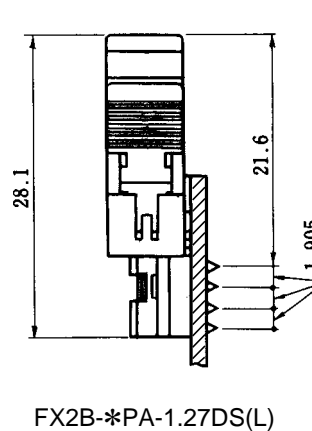
**Header**



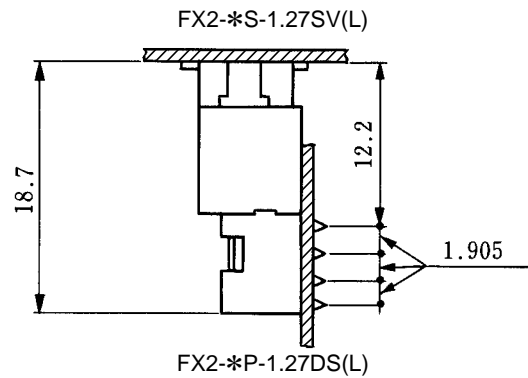
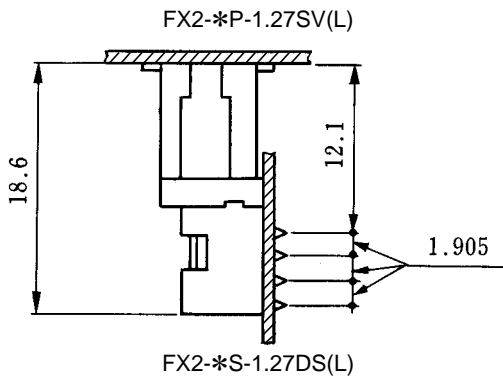
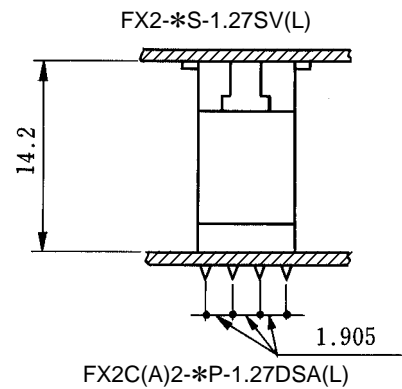
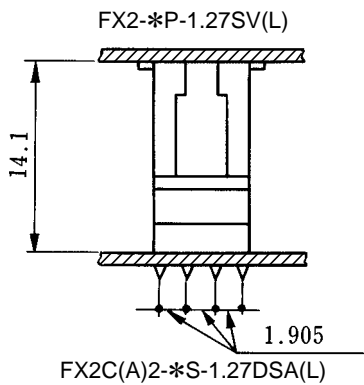
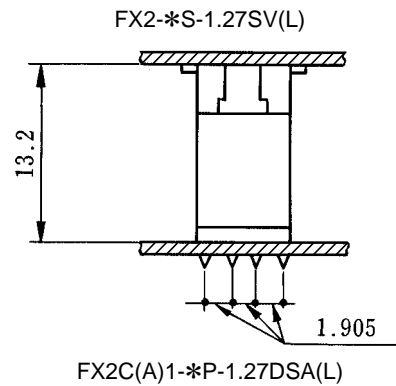
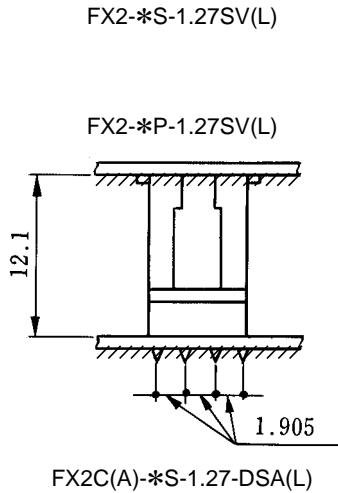
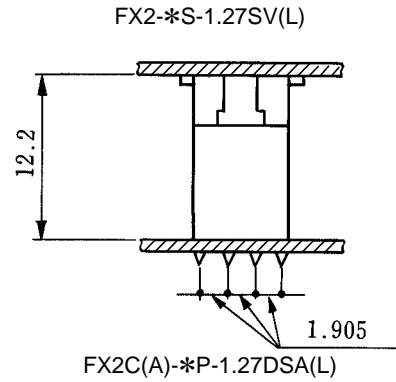
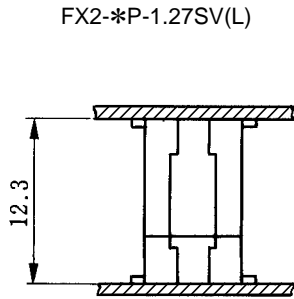
**FX2B(A)-\*SA-1.27R**



**FX2B(A)-\*SA-1.27R**



◆ SMT Type Application Pattern

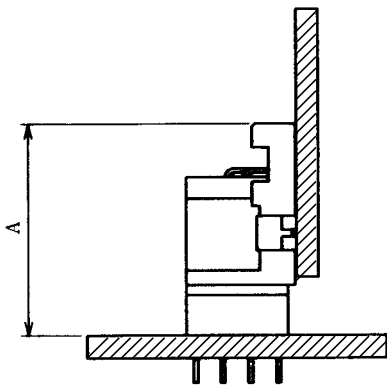




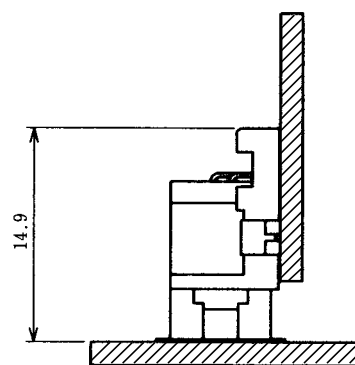
### ◆ SMT Type Application Pattern

FX2(A)-\*P-0.635SH

Receptacle	A
FX2C(A)	14.7
FX2C(A)2	16.7



FX2(A)-\*P-0.635SH

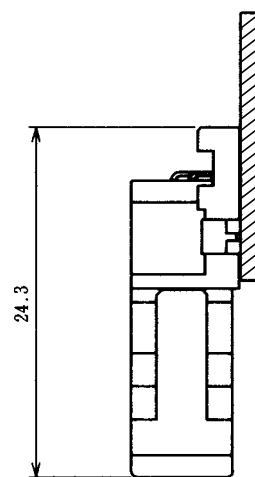
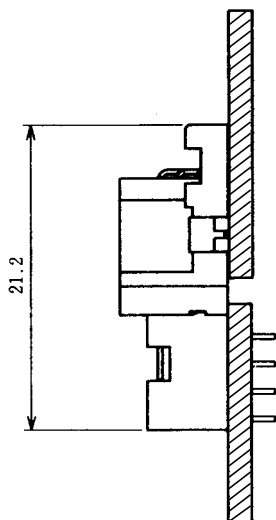


FX2C(A\*2)-\*S-1.27DSA(L)

FX2-\*S-1.27SV(L)

FX2(A)-\*P-0.635SH

FX2(A)-\*P-0.635SH

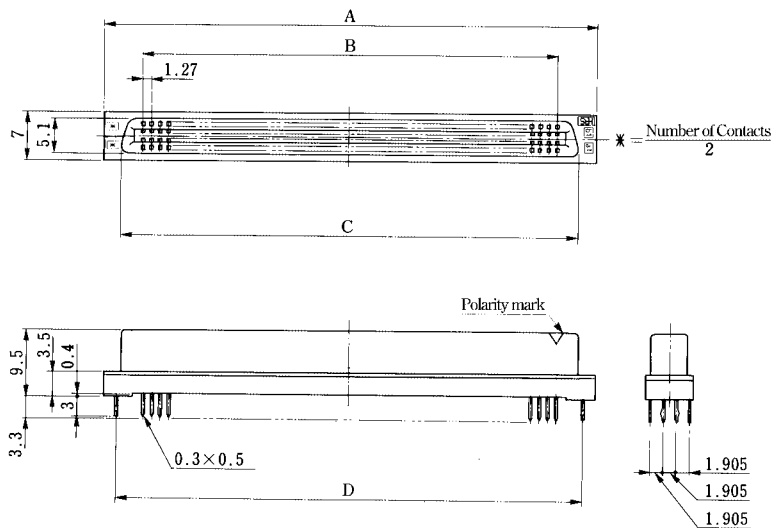


FX2-\*S-1.27DS(L)

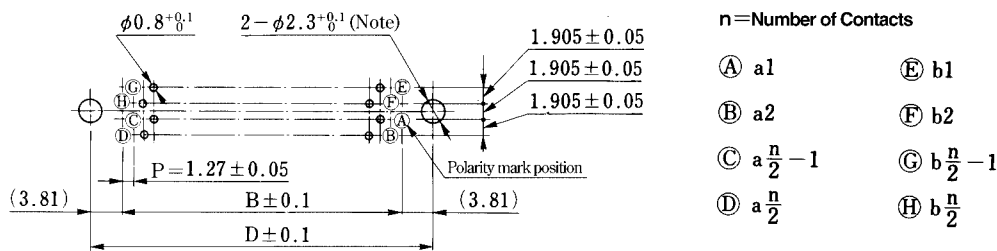
FX2BA-\*SA-1.27R

# ■ Receptacle No Cleaning Type

## ● Straight Type



## ◆ PCB mounting pattern



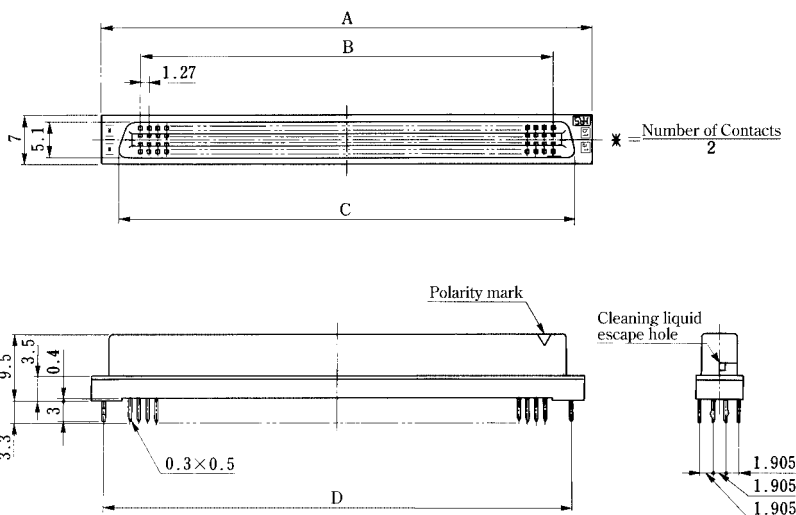
Note: Not required, if no prefixed pin is attached.

Unit:mm

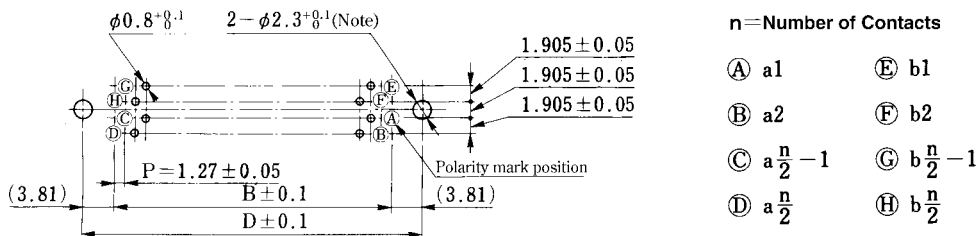
Part Number	CL No.	Number of Contacts	A	B	C	D	RoHS
FX2C- 20S-1.27DSA(71)	572-2401-7-71	20	22.75	11.43	17.63	_____	YES
FX2C- 20S-1.27DSAL(71)	572-2451-5-71					19.05	
FX2C- 32S-1.27DSA(71)	572-2402-0-71	32	30.37	19.05	25.25	_____	
FX2C- 32S-1.27DSAL(71)	572-2452-8-71					26.67	
FX2C- 40S-1.27DSA(71)	572-2403-2-71	40	35.45	24.13	30.33	_____	
FX2C- 40S-1.27DSAL(71)	572-2453-0-71					31.75	
FX2C- 52S-1.27DSA(71)	572-2404-5-71	52	43.07	31.75	37.95	_____	
FX2C- 52S-1.27DSAL(71)	572-2454-3-71					39.37	
FX2C- 60S-1.27DSA(71)	572-2405-8-71	60	48.15	36.83	43.03	_____	
FX2C- 60S-1.27DSAL(71)	572-2455-6-71					44.45	
FX2C- 68S-1.27DSA(71)	572-2406-0-71	68	53.23	41.91	48.11	_____	
FX2C- 68S-1.27DSAL(71)	572-2456-9-71					49.53	
FX2C- 80S-1.27DSA(71)	572-2407-3-71	80	60.85	49.53	55.73	_____	
FX2C- 80S-1.27DSAL(71)	572-2457-1-71					57.15	
FX2C-100S-1.27DSA(71)	572-2408-6-71	100	73.55	62.23	68.43	_____	
FX2C-100S-1.27DSAL(71)	572-2458-4-71					69.85	
FX2C-120S-1.27DSA(71)	572-2409-9-71	120	86.25	74.93	81.13	_____	
FX2C-120S-1.27DSAL(71)	572-2459-7-71					82.55	

## Receptacle Cleaning Type

### Straight Type



### PCB mounting pattern



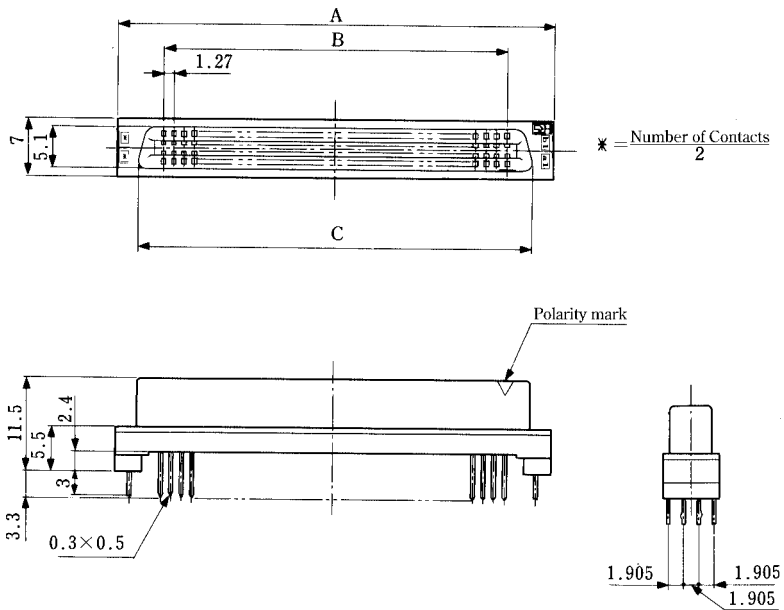
Note: Not required, if no prefixed pin is attached.

Unit:mm

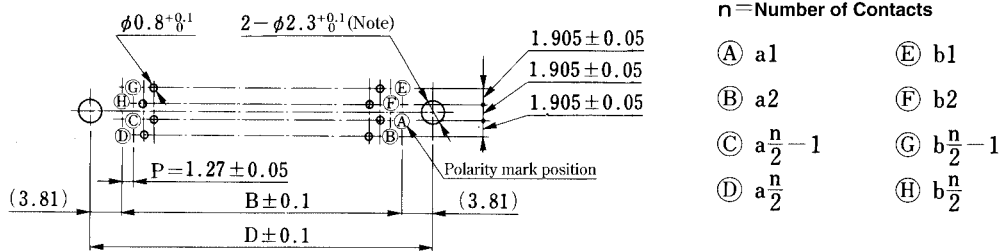
Part Number	CL No.	Number of Contacts	A	B	C	D	RoHS
FX2CA- 20S-1.27DSA(71)	572-2501-1-71	20	22.75	11.43	17.63	_____	YES
FX2CA- 20S-1.27DSAL(71)	572-2551-0-71					19.05	
FX2CA- 32S-1.27DSA(71)	572-2502-4-71	32	30.37	19.05	25.25	_____	
FX2CA- 32S-1.27DSAL(71)	572-2552-2-71					26.67	
FX2CA- 40S-1.27DSA(71)	572-2503-7-71	40	35.45	24.13	30.33	_____	
FX2CA- 40S-1.27DSAL(71)	572-2553-5-71					31.75	
FX2CA- 52S-1.27DSA(71)	572-2504-0-71	52	43.07	31.75	37.95	_____	
FX2CA- 52S-1.27DSAL(71)	572-2554-8-71					39.37	
FX2CA- 60S-1.27DSA(71)	572-2505-2-71	60	48.15	36.83	43.03	_____	
FX2CA- 60S-1.27DSAL(71)	572-2555-0-71					44.45	
FX2CA- 68S-1.27DSA(71)	572-2506-5-71	68	53.23	41.91	48.11	_____	
FX2CA- 68S-1.27DSAL(71)	572-2556-3-71					49.53	
FX2CA- 80S-1.27DSA(71)	572-2507-8-71	80	60.85	49.53	55.73	_____	
FX2CA- 80S-1.27DSAL(71)	572-2557-6-71					57.15	
FX2CA-100S-1.27DSA(71)	572-2508-0-71	100	73.55	62.23	68.43	_____	
FX2CA-100S-1.27DSAL(71)	572-2558-9-71					69.85	
FX2CA-120S-1.27DSA(71)	572-2509-3-71	120	86.25	74.93	81.13	_____	
FX2CA-120S-1.27DSAL(71)	572-2559-1-71					82.55	

# ■ Receptacle No Cleaning Type

## ● Straight Type



## ◆ PCB mounting pattern



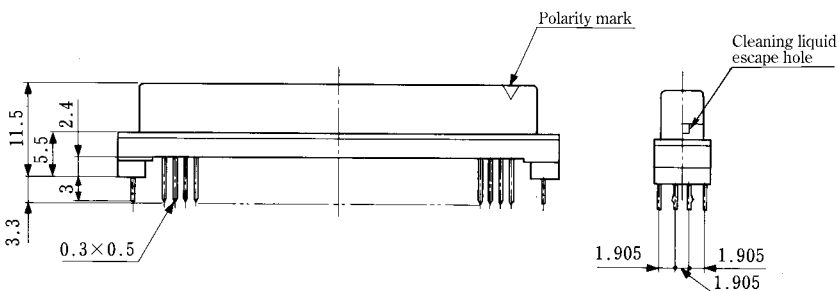
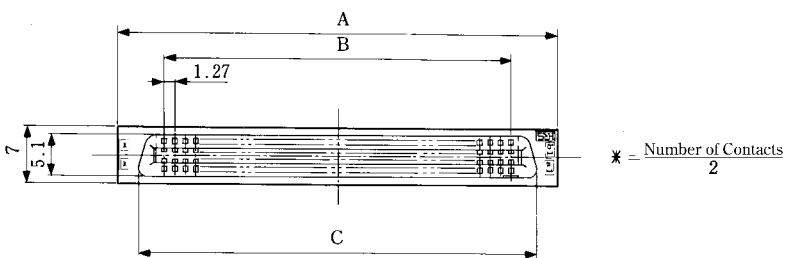
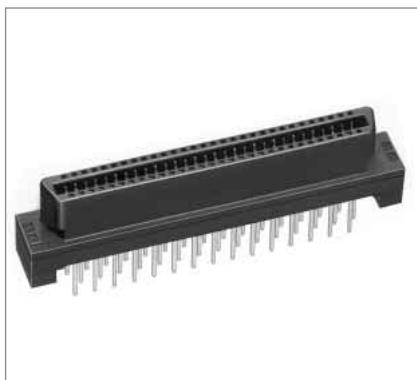
Note: Not required, if no prefixed pin is attached.

Unit:mm

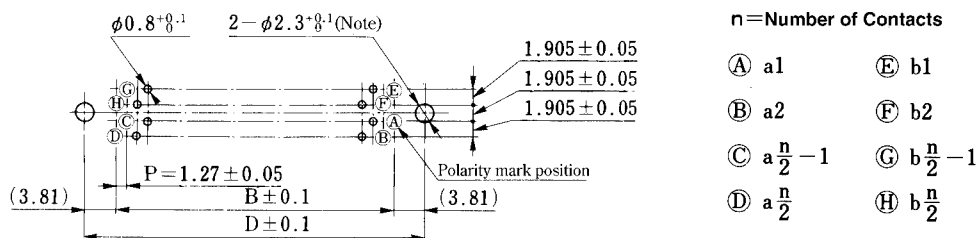
Part Number	CL No.	Number of Contacts	A	B	C	D	RoHS
FX2C2- 20S-1.27DSA(71)	572-2421-4-71	20	22.75	11.43	17.63	_____	YES
FX2C2- 20S-1.27DSAL(71)	572-2471-2-71					19.05	
FX2C2- 32S-1.27DSA(71)	572-2422-7-71	32	30.37	19.05	25.25	_____	
FX2C2- 32S-1.27DSAL(71)	572-2472-5-71					26.67	
FX2C2- 40S-1.27DSA(71)	572-2423-0-71	40	35.45	24.13	30.33	_____	
FX2C2- 40S-1.27DSAL(71)	572-2473-8-71					31.75	
FX2C2- 52S-1.27DSA(71)	572-2424-2-71	52	43.07	31.75	37.95	_____	
FX2C2- 52S-1.27DSAL(71)	572-2474-0-71					39.37	
FX2C2- 60S-1.27DSA(71)	572-2425-5-71	60	48.15	36.83	43.03	_____	
FX2C2- 60S-1.27DSAL(71)	572-2475-3-71					44.45	
FX2C2- 68S-1.27DSA(71)	572-2426-8-71	68	53.23	41.91	48.11	_____	
FX2C2- 68S-1.27DSAL(71)	572-2476-6-71					49.53	
FX2C2- 80S-1.27DSA(71)	572-2427-0-71	80	60.85	49.53	55.73	_____	
FX2C2- 80S-1.27DSAL(71)	572-2477-9-71					57.15	
FX2C2-100S-1.27DSA(71)	572-2428-3-71	100	73.55	62.23	68.43	_____	
FX2C2-100S-1.27DSAL(71)	572-2478-1-71					69.85	
FX2C2-120S-1.27DSA(71)	572-2429-6-71	120	86.25	74.93	81.13	_____	
FX2C2-120S-1.27DSAL(71)	572-2479-4-71					82.55	

## Receptacle Cleaning Type

### Straight Type



### PCB mounting pattern



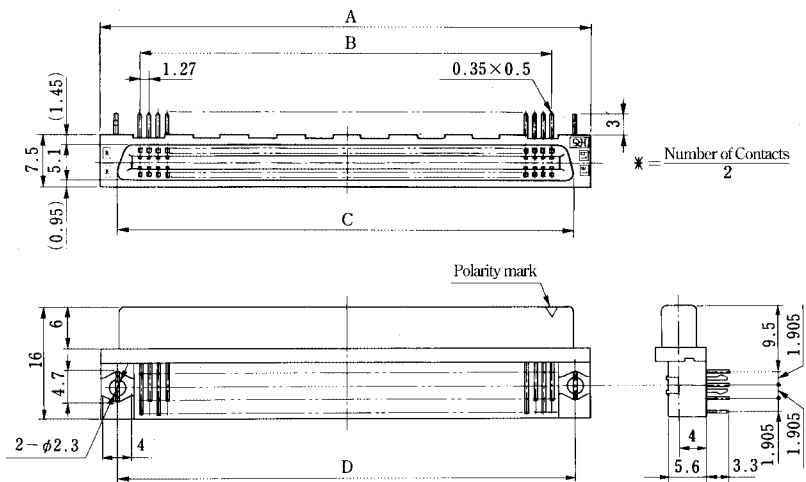
Note: Not required, if no prefixed pin is attached.

Unit:mm

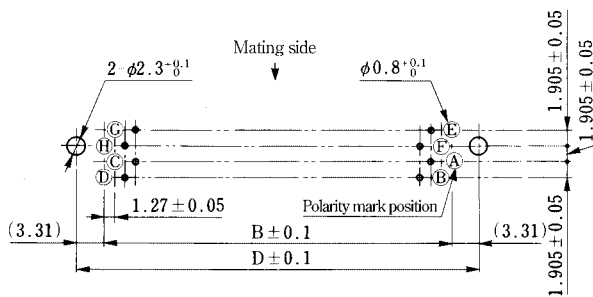
Part Number	CL No.	Number of Contacts	A	B	C	D	RoHS
FX2CA2- 20S-1.27DSA(71)	572-2521-9-71	20	22.75	11.43	17.63	_____	YES
FX2CA2- 20S-1.27DSAL(71)	572-2571-7-71					19.05	
FX2CA2- 32S-1.27DSA(71)	572-2522-1-71	32	30.37	19.05	25.25	_____	
FX2CA2- 32S-1.27DSAL(71)	572-2572-0-71					26.67	
FX2CA2- 40S-1.27DSA(71)	572-2523-4-71	40	35.45	24.13	30.33	_____	
FX2CA2- 40S-1.27DSAL(71)	572-2573-2-71					31.75	
FX2CA2- 52S-1.27DSA(71)	572-2524-7-71	52	43.07	31.75	37.95	_____	
FX2CA2- 52S-1.27DSAL(71)	572-2574-5-71					39.37	
FX2CA2- 60S-1.27DSA(71)	572-2525-0-71	60	48.15	36.83	43.03	_____	
FX2CA2- 60S-1.27DSAL(71)	572-2575-8-71					44.45	
FX2CA2- 68S-1.27DSA(71)	572-2526-2-71	68	53.23	41.91	48.11	_____	
FX2CA2- 68S-1.27DSAL(71)	572-2576-0-71					49.53	
FX2CA2- 80S-1.27DSA(71)	572-2527-5-71	80	60.85	49.53	55.73	_____	
FX2CA2- 80S-1.27DSAL(71)	572-2577-3-71					57.15	
FX2CA2-100S-1.27DSA(71)	572-2528-8-71	100	73.55	62.23	68.43	_____	
FX2CA2-100S-1.27DSAL(71)	572-2578-6-71					69.85	
FX2CA2-120S-1.27DSA(71)	572-2529-0-71	120	86.25	74.93	81.13	_____	
FX2CA2-120S-1.27DSAL(71)	572-2579-9-71					82.55	

## ■ Receptacle

### ● Right Angle Type



### ◆ PCB mounting pattern



n = Number of Contacts

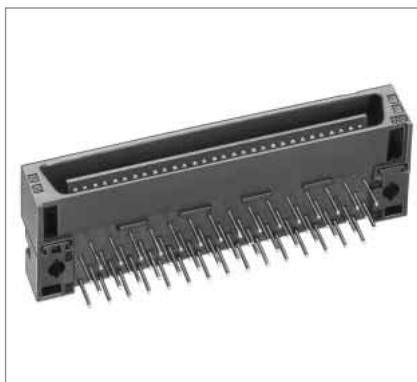
- Ⓐ a1                      Ⓔ b1
- Ⓑ a2                      Ⓕ b2
- Ⓒ  $a\frac{n}{2}-1$               Ⓖ  $b\frac{n}{2}-1$
- Ⓓ  $a\frac{n}{2}$                       Ⓗ  $b\frac{n}{2}$

Unit:mm

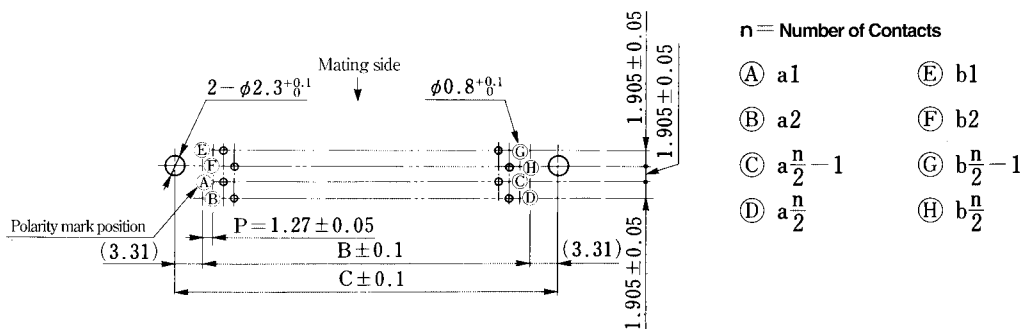
Part Number	CL No.	Number of Contacts	A	B	C	D	D
FX2- 20S-1.27DS(71)	572-2701-0-71	20	22.75	11.43	17.63	18.05	YES
FX2- 20S-1.27DSL(71)	572-2751-9-71						
FX2- 32S-1.27DS(71)	572-2702-3-71	32	30.37	19.05	25.25	25.67	
FX2- 32S-1.27DSL(71)	572-2752-1-71						
FX2- 40S-1.27DS(71)	572-2703-6-71	40	35.45	24.13	30.33	30.75	
FX2- 40S-1.27DSL(71)	572-2753-4-71						
FX2- 52S-1.27DS(71)	572-2704-9-71	52	43.07	31.75	37.95	38.37	
FX2- 52S-1.27DSL(71)	572-2754-7-71						
FX2- 60S-1.27DS(71)	572-2705-1-71	60	48.15	36.83	43.03	43.45	
FX2- 60S-1.27DSL(71)	572-2755-0-71						
FX2- 68S-1.27DS(71)	572-2706-4-71	68	53.23	41.91	48.11	48.53	
FX2- 68S-1.27DSL(71)	572-2756-2-71						
FX2- 80S-1.27DS(71)	572-2707-7-71	80	60.85	49.53	55.73	56.15	
FX2- 80S-1.27DSL(71)	572-2757-5-71						
FX2-100S-1.27DS(71)	572-2708-0-71	100	73.55	62.23	68.43	68.85	
FX2-100S-1.27DSL(71)	572-2758-8-71						
FX2-120S-1.27DS(71)	572-2709-2-71	120	86.25	74.93	81.13	81.55	
FX2-120S-1.27DSL(71)	572-2759-0-71						

## Header

### Right Angle Type



### PCB mounting pattern

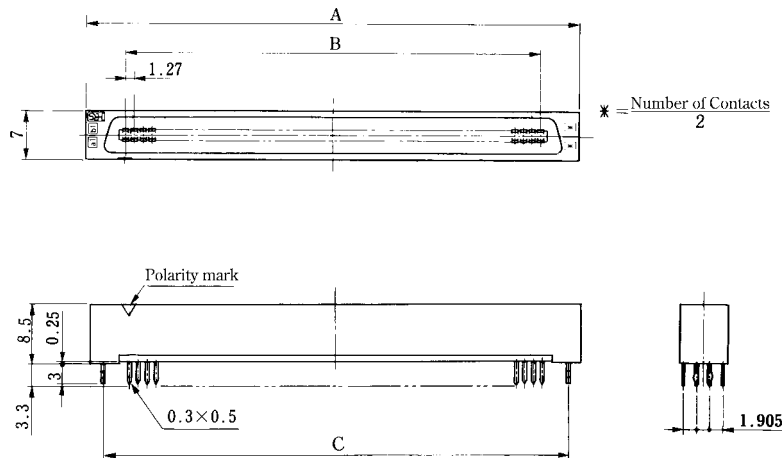
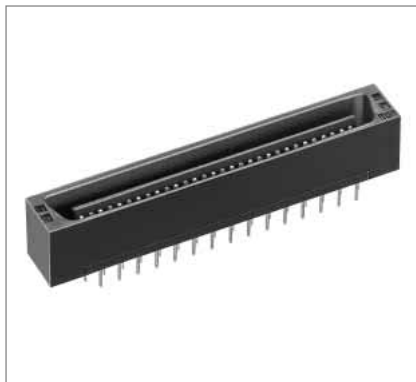


Unit:mm

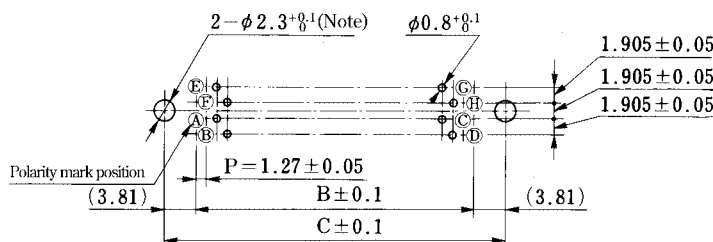
Part Number	CL No.	Number of Contacts	A	B	C	RoHS
FX2- 20P-1.27DS(71)	572-2601-6-71	20	22.75	11.43	18.05	YES
FX2- 20P-1.27DSL(71)	572-2651-4-71					
FX2- 32P-1.27DS(71)	572-2602-9-71	32	30.37	19.05	25.67	
FX2- 32P-1.27DSL(71)	572-2652-7-71					
FX2- 40P-1.27DS(71)	572-2603-1-71	40	35.45	24.13	30.75	
FX2- 40P-1.27DSL(71)	572-2653-0-71					
FX2- 52P-1.27DS(71)	572-2604-4-71	52	43.07	31.75	38.37	
FX2- 52P-1.27DSL(71)	572-2654-2-71					
FX2- 60P-1.27DS(71)	572-2605-7-71	60	48.15	36.83	43.45	
FX2- 60P-1.27DSL(71)	572-2655-5-71					
FX2- 68P-1.27DS(71)	572-2606-0-71	68	53.23	41.91	48.53	
FX2- 68P-1.27DSL(71)	572-2656-8-71					
FX2- 80P-1.27DS(71)	572-2607-2-71	80	60.85	49.53	56.15	
FX2- 80P-1.27DSL(71)	572-2657-0-71					
FX2-100P-1.27DS(71)	572-2608-5-71	100	73.55	62.23	68.85	
FX2-100P-1.27DSL(71)	572-2658-3-71					
FX2-120P-1.27DS(71)	572-2609-8-71	120	86.25	74.93	81.55	
FX2-120P-1.27DSL(71)	572-2659-6-71					

# Header No Cleaning Type

## ● Straight Type



## ◆ PCB mounting pattern



n = Number of Contacts

- Ⓐ a1                      Ⓔ b1
- Ⓑ a2                      Ⓕ b2
- Ⓒ  $a\frac{n}{2} - 1$               Ⓖ  $b\frac{n}{2} - 1$
- Ⓓ  $a\frac{n}{2}$                       Ⓖ  $b\frac{n}{2}$

Note: Not required, if no prefixed pin is attached.

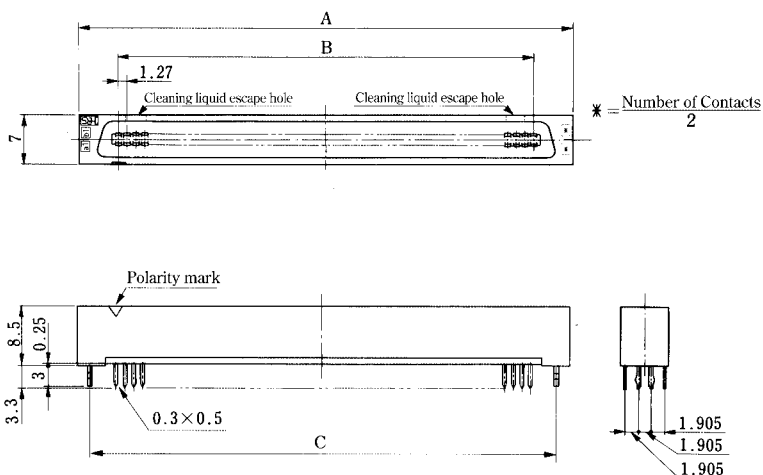
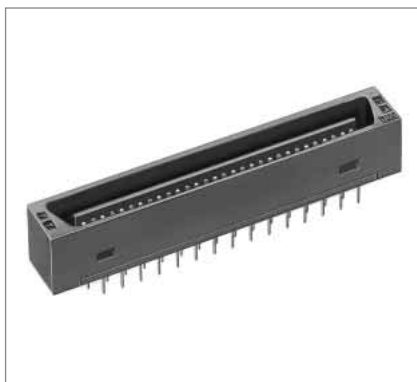
Unit:mm

Part Number	CL No.	Number of Contacts	A	B	C	RoHS
FX2C- 20P-1.27DSA(71)	572-2201-8-71	20	22.75	11.43	_____	YES
FX2C- 20P-1.27DSAL(71)	572-2251-6-71				19.05	
FX2C- 32P-1.27DSA(71)	572-2202-0-71	32	30.37	19.05	_____	
FX2C- 32P-1.27DSAL(71)	572-2252-9-71				26.67	
FX2C- 40P-1.27DSA(71)	572-2203-3-71	40	35.45	24.13	_____	
FX2C- 40P-1.27DSAL(71)	572-2253-1-71				31.75	
FX2C- 52P-1.27DSA(71)	572-2204-6-71	52	43.07	31.75	_____	
FX2C- 52P-1.27DSAL(71)	572-2254-4-71				39.37	
FX2C- 60P-1.27DSA(71)	572-2205-9-71	60	48.15	36.83	_____	
FX2C- 60P-1.27DSAL(71)	572-2255-7-71				44.45	
FX2C- 68P-1.27DSA(71)	572-2206-1-71	68	53.23	41.91	_____	
FX2C- 68P-1.27DSAL(71)	572-2256-0-71				49.53	
FX2C- 80P-1.27DSA(71)	572-2207-4-71	80	60.85	49.53	_____	
FX2C- 80P-1.27DSAL(71)	572-2257-2-71				57.15	
FX2C-100P-1.27DSA(71)	572-2208-7-71	100	73.55	62.23	_____	
FX2C-100P-1.27DSAL(71)	572-2258-5-71				69.85	
FX2C-120P-1.27DSA(71)	572-2209-0-71	120	86.25	74.93	_____	
FX2C-120P-1.27DSAL(71)	572-2259-8-71				82.55	



## Header Cleaning Type

### ● Straight Type



### ◆ PCB mounting pattern



n = Number of Contacts

- Ⓐ a1                      Ⓔ b1
- Ⓑ a2                      Ⓕ b2
- Ⓒ  $a\frac{n}{2}-1$               Ⓖ  $b\frac{n}{2}-1$
- Ⓓ  $a\frac{n}{2}$                     Ⓗ  $b\frac{n}{2}$

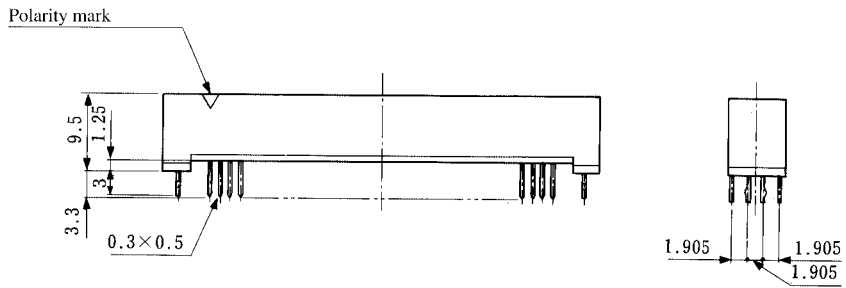
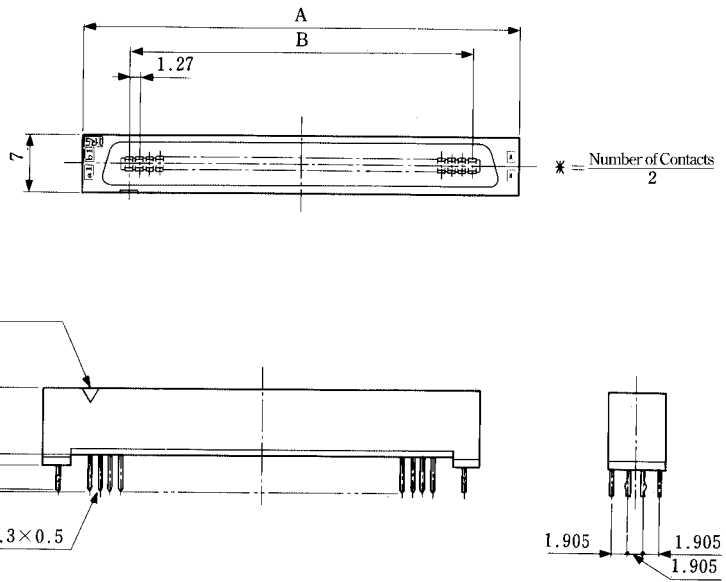
Note: Not required, if no prefixed pin is attached.

Unit:mm

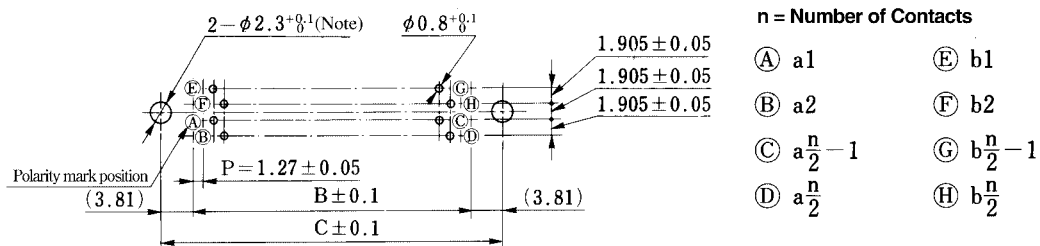
Part Number	CL No.	Number of Contacts	A	B	C	RoHS
FX2CA- 20P-1.27DSA(71)	572-2301-2-71	20	22.75	11.43	—	YES
FX2CA- 20P-1.27DSAL(71)	572-2351-0-71				19.05	
FX2CA- 32P-1.27DSA(71)	572-2302-5-71	32	30.37	19.05	—	
FX2CA- 32P-1.27DSAL(71)	572-2352-3-71				26.67	
FX2CA- 40P-1.27DSA(71)	572-2303-8-71	40	35.45	24.13	—	
FX2CA- 40P-1.27DSAL(71)	572-2353-6-71				31.75	
FX2CA- 52P-1.27DSA(71)	572-2304-0-71	52	43.07	31.75	—	
FX2CA- 52P-1.27DSAL(71)	572-2354-9-71				39.37	
FX2CA- 60P-1.27DSA(71)	572-2305-3-71	60	48.15	36.83	—	
FX2CA- 60P-1.27DSAL(71)	572-2355-1-71				44.45	
FX2CA- 68P-1.27DSA(71)	572-2306-6-71	68	53.23	41.91	—	
FX2CA- 68P-1.27DSAL(71)	572-2356-4-71				49.53	
FX2CA- 80P-1.27DSA(71)	572-2307-9-71	80	60.85	49.53	—	
FX2CA- 80P-1.27DSAL(71)	572-2357-7-71				57.15	
FX2CA-100P-1.27DSA(71)	572-2308-1-71	100	73.55	62.23	—	
FX2CA-100P-1.27DSAL(71)	572-2358-0-71				69.85	
FX2CA-120P-1.27DSA(71)	572-2309-4-71	120	86.25	74.93	—	
FX2CA-120P-1.27DSAL(71)	572-2359-2-71				82.55	

# Header No Cleaning Type

## ● Straight Type



## ◆ PCB mounting pattern



Note: Not required, if no prefixed pin is attached.

Unit: mm

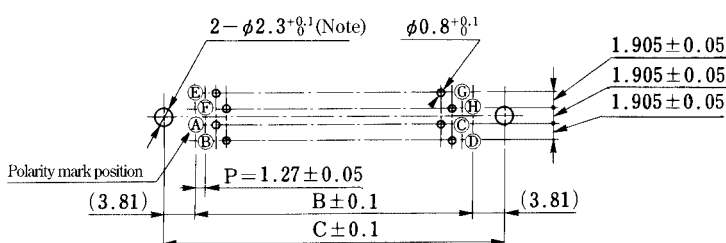
Part Number	CL No.	Number of Contacts	A	B	C	RoHS
FX2C1- 20P-1.27DSA(71)	572-2211-1-71	20	22.75	11.43	—	YES
FX2C1- 20P-1.27DSAL(71)	572-2261-0-71				19.05	
FX2C1- 32P-1.27DSA(71)	572-2212-4-71	32	30.37	19.05	—	
FX2C1- 32P-1.27DSAL(71)	572-2262-2-71				26.67	
FX2C1- 40P-1.27DSA(71)	572-2213-7-71	40	35.45	24.13	—	
FX2C1- 40P-1.27DSAL(71)	572-2263-5-71				31.75	
FX2C1- 52P-1.27DSA(71)	572-2214-0-71	52	43.07	31.75	—	
FX2C1- 52P-1.27DSAL(71)	572-2264-8-71				39.37	
FX2C1- 60P-1.27DSA(71)	572-2215-2-71	60	48.15	36.83	—	
FX2C1- 60P-1.27DSAL(71)	572-2265-0-71				44.45	
FX2C1- 68P-1.27DSA(71)	572-2216-5-71	68	53.23	41.91	—	
FX2C1- 68P-1.27DSAL(71)	572-2266-3-71				49.53	
FX2C1- 80P-1.27DSA(71)	572-2217-8-71	80	60.85	49.53	—	
FX2C1- 80P-1.27DSAL(71)	572-2267-6-71				57.15	
FX2C1-100P-1.27DSA(71)	572-2218-0-71	100	73.55	62.23	—	
FX2C1-100P-1.27DSAL(71)	572-2268-9-71				69.85	
FX2C1-120P-1.27DSA(71)	572-2219-3-71	120	86.25	74.93	—	
FX2C1-120P-1.27DSAL(71)	572-2269-1-71				82.55	

## Header Cleaning Type

### ● Straight Type



### ◆ PCB mounting pattern



n = Number of Contacts

- Ⓐ a1                      Ⓔ b1
- Ⓑ a2                      Ⓕ b2
- Ⓒ  $\frac{n}{2} - 1$                 Ⓖ  $\frac{n}{2} - 1$
- Ⓓ  $\frac{n}{2}$                       Ⓖ  $\frac{n}{2}$

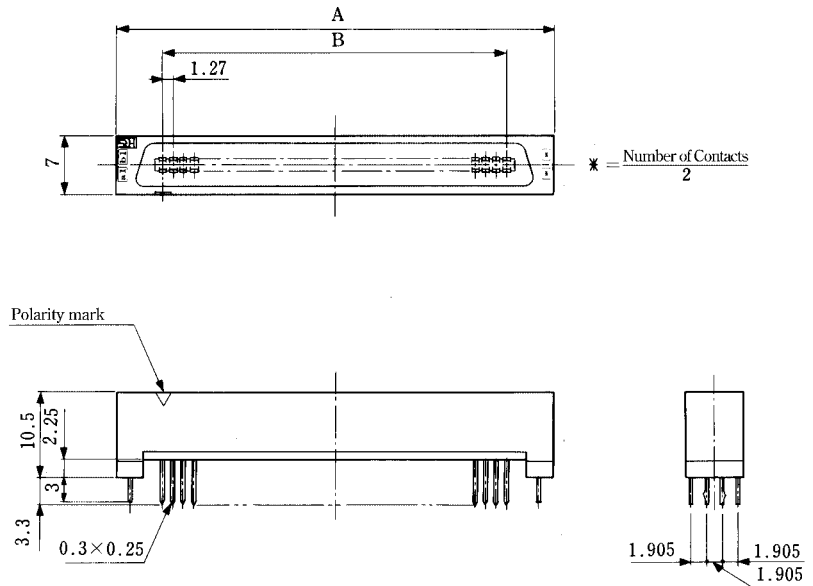
Note: Not required, if no prefixed pin is attached.

Unit: mm

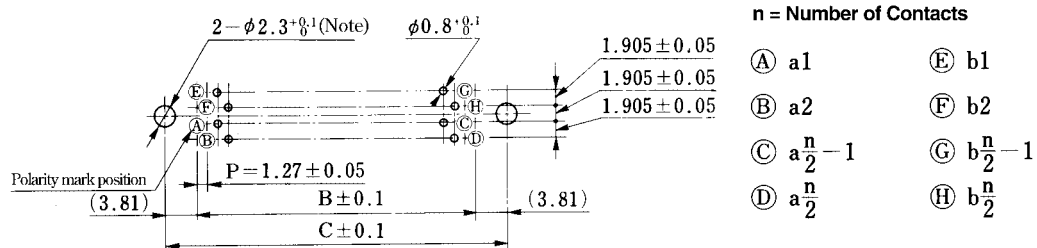
Part Number	CL No.	Number of Contacts	A	B	C	RoHS
FX2CA1- 20P-1.27DSA(71)	572-2311-6-71	20	22.75	11.43	—	YES
FX2CA1- 20P-1.27DSAL(71)	572-2361-4-71				19.05	
FX2CA1- 32P-1.27DSA(71)	572-2312-9-71	32	30.37	19.05	—	
FX2CA1- 32P-1.27DSAL(71)	572-2362-7-71				26.67	
FX2CA1- 40P-1.27DSA(71)	572-2313-1-71	40	35.45	24.13	—	
FX2CA1- 40P-1.27DSAL(71)	572-2363-0-71				31.75	
FX2CA1- 52P-1.27DSA(71)	572-2314-4-71	52	43.07	31.75	—	
FX2CA1- 52P-1.27DSAL(71)	572-2364-2-71				39.37	
FX2CA1- 60P-1.27DSA(71)	572-2315-7-71	60	48.15	36.83	—	
FX2CA1- 60P-1.27DSAL(71)	572-2365-5-71				44.45	
FX2CA1- 68P-1.27DSA(71)	572-2316-0-71	68	53.23	41.91	—	
FX2CA1- 68P-1.27DSAL(71)	572-2366-8-71				49.53	
FX2CA1- 80P-1.27DSA(71)	572-2317-2-71	80	60.85	49.53	—	
FX2CA1- 80P-1.27DSAL(71)	572-2367-0-71				57.15	
FX2CA1-100P-1.27DSA(71)	572-2318-5-71	100	73.55	62.23	—	
FX2CA1-100P-1.27DSAL(71)	572-2368-3-71				69.85	
FX2CA1-120P-1.27DSA(71)	572-2319-8-71	120	86.25	74.93	—	
FX2CA1-120P-1.27DSAL(71)	572-2369-6-71				82.55	

## Header No Cleaning Type

### ● Straight Type



### ◆ PCB mounting pattern



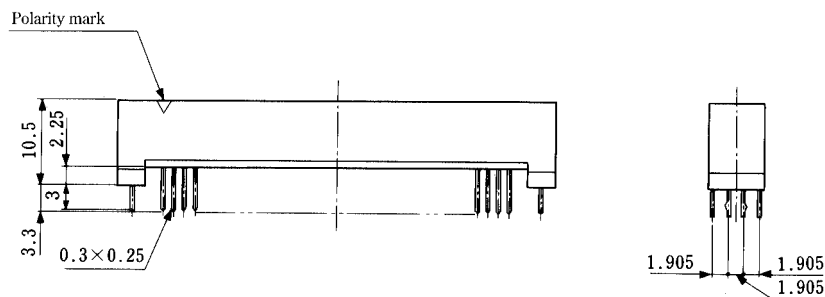
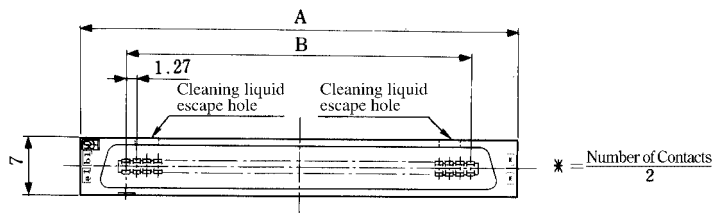
Note: Not required, if no prefixed pin is attached.

Unit: mm

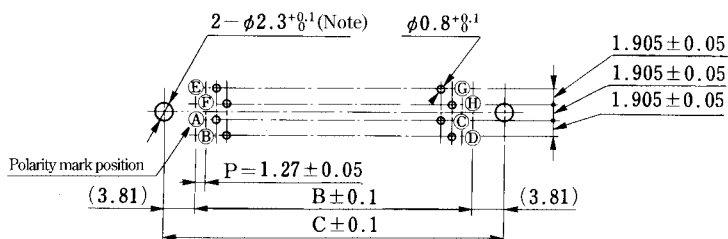
Part Number	CL No.	Number of Contacts	A	B	C	RoHS
FX2C2- 20P-1.27DSA(71)	572-2221-5-71	20	22.75	11.43	—	YES
FX2C2- 20P-1.27DSAL(71)	572-2271-3-71				19.05	
FX2C2- 32P-1.27DSA(71)	572-2222-8-71	32	30.37	19.05	—	
FX2C2- 32P-1.27DSAL(71)	572-2272-6-71				26.67	
FX2C2- 40P-1.27DSA(71)	572-2223-0-71	40	35.45	24.13	—	
FX2C2- 40P-1.27DSAL(71)	572-2273-9-71				31.75	
FX2C2- 52P-1.27DSA(71)	572-2224-3-71	52	43.07	31.75	—	
FX2C2- 52P-1.27DSAL(71)	572-2274-1-71				39.37	
FX2C2- 60P-1.27DSA(71)	572-2225-6-71	60	48.15	36.83	—	
FX2C2- 60P-1.27DSAL(71)	572-2275-4-71				44.45	
FX2C2- 68P-1.27DSA(71)	572-2226-9-71	68	53.23	41.91	—	
FX2C2- 68P-1.27DSAL(71)	572-2276-7-71				49.53	
FX2C2- 80P-1.27DSA(71)	572-2227-1-71	80	60.85	49.53	—	
FX2C2- 80P-1.27DSAL(71)	572-2277-0-71				57.15	
FX2C2-100P-1.27DSA(71)	572-2228-4-71	100	73.55	62.23	—	
FX2C2-100P-1.27DSAL(71)	572-2278-2-71				69.85	
FX2C2-120P-1.27DSA(71)	572-2229-7-71	120	86.25	74.93	—	
FX2C2-120P-1.27DSAL(71)	572-2279-5-71				82.55	

## Header Cleaning Type

### ● Straight Type



## ◆ PCB mounting pattern



n = Number of Contacts

- Ⓐ a1                      Ⓔ b1
- Ⓑ a2                      Ⓕ b2
- Ⓒ  $a \frac{n}{2} - 1$               Ⓖ  $b \frac{n}{2} - 1$
- Ⓓ  $a \frac{n}{2}$                       Ⓗ  $b \frac{n}{2}$

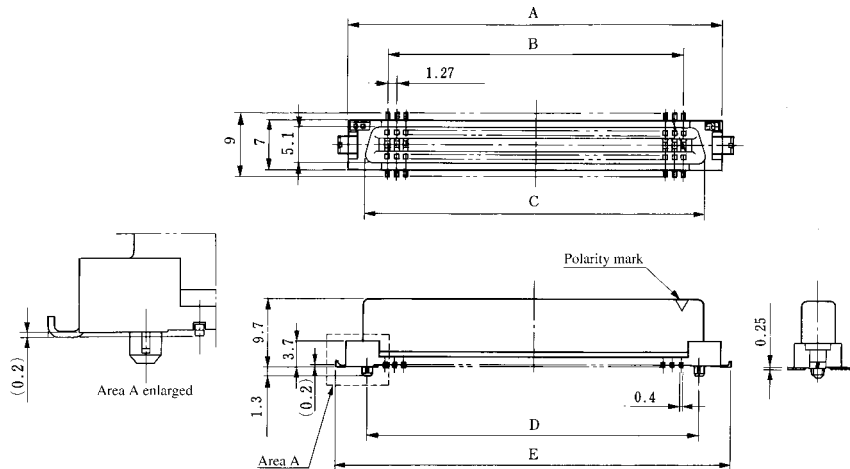
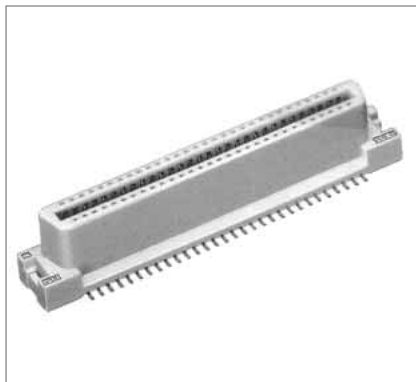
Note: Not required, if no prefixed pin is attached.

Unit: mm

Part Number	CL No.	Number of Contacts	A	B	C	RoHS
FX2CA2- 20P-1.27DSA(71)	572-2321-0-71	20	22.75	11.43	—	YES
FX2CA2- 20P-1.27DSAL(71)	572-2371-8-71				19.05	
FX2CA2- 32P-1.27DSA(71)	572-2322-2-71	32	30.37	19.05	—	
FX2CA2- 32P-1.27DSAL(71)	572-2372-0-71				26.67	
FX2CA2- 40P-1.27DSA(71)	572-2323-5-71	40	35.45	24.13	—	
FX2CA2- 40P-1.27DSAL(71)	572-2373-3-71				31.75	
FX2CA2- 52P-1.27DSA(71)	572-2324-8-71	52	43.07	31.75	—	
FX2CA2- 52P-1.27DSAL(71)	572-2374-6-71				39.37	
FX2CA2- 60P-1.27DSA(71)	572-2325-0-71	60	48.15	36.83	—	
FX2CA2- 60P-1.27DSAL(71)	572-2375-9-71				44.45	
FX2CA2- 68P-1.27DSA(71)	572-2326-3-71	68	53.23	41.91	—	
FX2CA2- 68P-1.27DSAL(71)	572-2376-1-71				49.53	
FX2CA2- 80P-1.27DSA(71)	572-2327-6-71	80	60.85	49.53	—	
FX2CA2- 80P-1.27DSAL(71)	572-2377-4-71				57.15	
FX2CA2-100P-1.27DSA(71)	572-2328-9-71	100	73.55	62.23	—	
FX2CA2-100P-1.27DSAL(71)	572-2378-7-71				69.85	
FX2CA2-120P-1.27DSA(71)	572-2329-1-71	120	86.25	74.93	—	
FX2CA2-120P-1.27DSAL(71)	572-2379-0-71				82.55	

# ■ Receptacle SMT Type

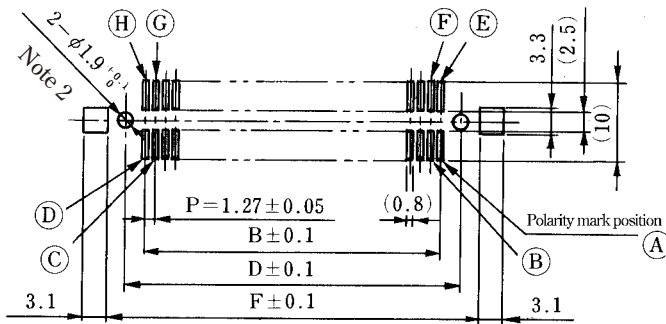
## ● Straight Type



Note 1 : The 120 contacts type differs in the style.

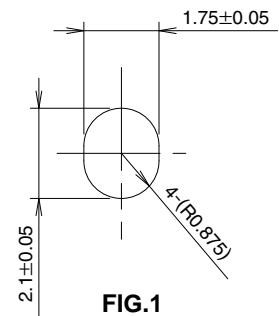
Note 2 : The connector positioning bosses are constructed to press fit into the board with light force. When mounting on the board, press the connector lightly from the top and check that the positioning bosses are securely inserted in the board holes and that the connector leads are engaged in the board. The recommended boss hole for use with automatic mounting is illustrated in fig. 1.

## ◆ PCB mounting pattern



n = Number of Contacts

- Ⓐ a1                      Ⓔ b1
- Ⓑ a2                      Ⓕ b2
- Ⓒ  $a\frac{n}{2} - 1$             Ⓖ  $b\frac{n}{2} - 1$
- Ⓓ  $a\frac{n}{2}$                     Ⓗ  $b\frac{n}{2}$

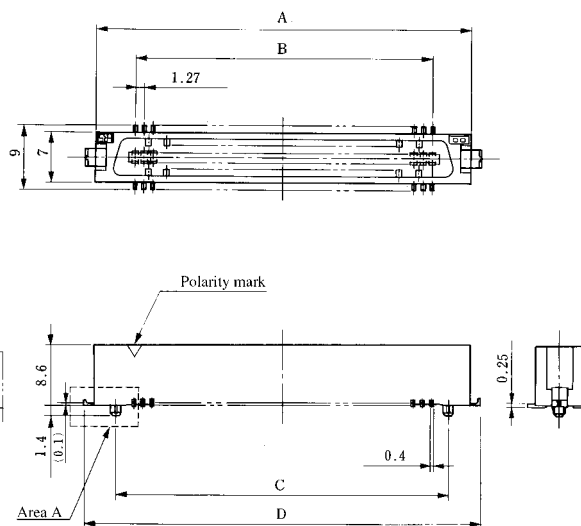


Unit: mm

Part Number	CL No.	Number of Contacts	A	B	C	D	E	F	RoHS
FX2- 20S-1.27SV(71)	572-2101-3-71	20	22.75	11.43	17.63	16.51	—	—	YES
FX2- 20S-1.27SVL(71)	572-2151-1-71						25.75	21.15	
FX2- 32S-1.27SV(71)	572-2102-6-71	32	30.37	19.05	25.25	24.13	—	—	
FX2- 32S-1.27SVL(71)	572-2152-4-71						33.37	28.77	
FX2- 40S-1.27SV(71)	572-2103-9-71	40	35.45	24.13	30.33	29.21	—	—	
FX2- 40S-1.27SVL(71)	572-2153-7-71						38.45	33.85	
FX2- 52S-1.27SV(71)	572-2104-1-71	52	43.07	31.75	37.95	36.83	—	—	
FX2- 52S-1.27SVL(71)	572-2154-0-71						46.07	41.47	
FX2- 60S-1.27SV(71)	572-2105-4-71	60	48.15	36.83	43.03	41.91	—	—	
FX2- 60S-1.27SVL(71)	572-2155-2-71						51.15	46.55	
FX2- 68S-1.27SV(71)	572-2106-7-71	68	53.23	41.91	48.11	46.99	—	—	
FX2- 68S-1.27SVL(71)	572-2156-5-71						56.23	51.63	
FX2- 80S-1.27SV(71)	572-2107-0-71	80	60.85	49.53	55.73	54.61	—	—	
FX2- 80S-1.27SVL(71)	572-2157-8-71						63.85	59.25	
FX2-100S-1.27SV(71)	572-2108-2-71	100	73.55	62.23	68.43	67.31	—	—	
FX2-100S-1.27SVL(71)	572-2158-0-71						76.55	71.95	
FX2-120S-1.27SV(71)	572-2109-5-71	120	86.25	74.93	81.13	80.01	—	—	
FX2-120S-1.27SVL(71)	572-2159-3-71						89.25	84.65	

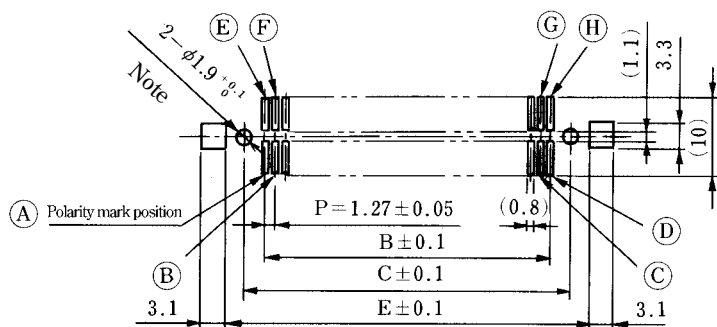
## Header SMT Type

### ● Straight Type



Note: The connector positioning bosses are constructed to press fit into the board with light force. When mounting on the board, press the connector lightly from the top and check that the positioning bosses are securely inserted in the board holes and that the connector leads are engaged in the board. The recommended boss hole for use with automatic mounting is illustrated in fig. 1.

### ◆ PCB mounting pattern



n = Number of Contacts

- Ⓐ a1      Ⓔ b1
- Ⓑ a2      Ⓕ b2
- Ⓒ  $a \frac{n}{2} - 1$       Ⓖ  $b \frac{n}{2} - 1$
- Ⓓ  $a \frac{n}{2}$       Ⓖ  $b \frac{n}{2}$

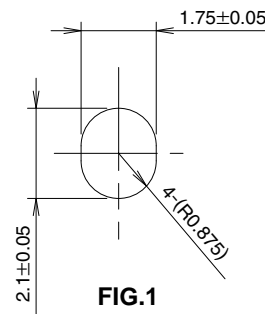


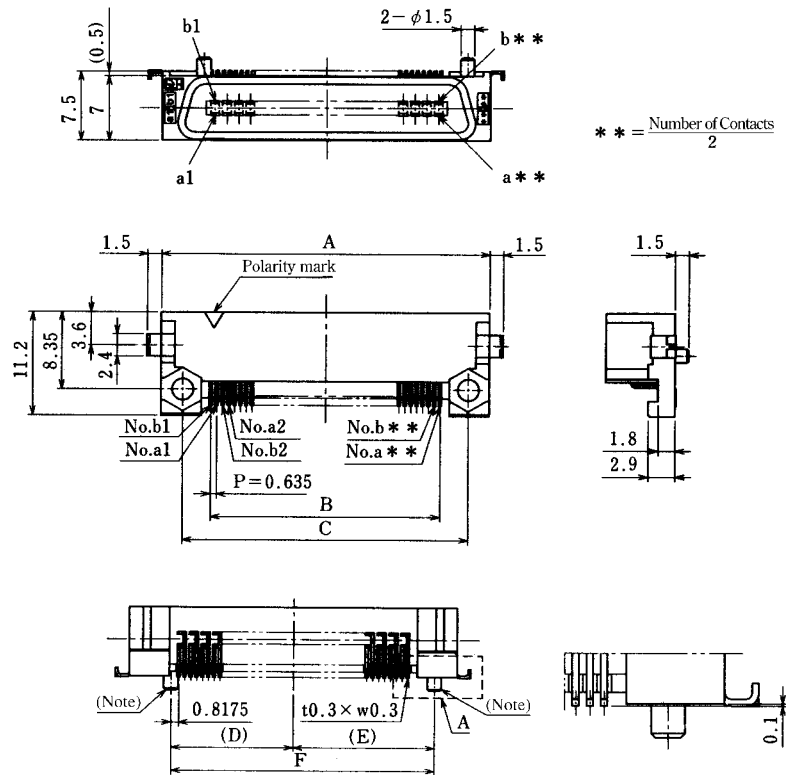
FIG.1

Unit: mm

Part Number	CL No.	Number of Contacts	A	B	C	D	E	RoHS
FX2- 20P-1.27SV(71)	572-2001-9-71	20	22.75	11.43	16.51	—	—	YES
FX2- 20P-1.27SVL(71)	572-2051-7-71					25.75	21.15	
FX2- 32P-1.27SV(71)	572-2002-1-71	32	30.37	19.05	24.13	—	—	
FX2- 32P-1.27SVL(71)	572-2052-0-71					33.37	28.77	
FX2- 40P-1.27SV(71)	572-2003-4-71	40	35.45	24.13	29.21	—	—	
FX2- 40P-1.27SVL(71)	572-2053-2-71					38.45	33.85	
FX2- 52P-1.27SV(71)	572-2004-7-71	52	43.07	31.75	36.83	—	—	
FX2- 52P-1.27SVL(71)	572-2054-5-71					46.07	41.47	
FX2- 60P-1.27SV(71)	572-2005-0-71	60	48.15	36.83	41.91	—	—	
FX2- 60P-1.27SVL(71)	572-2055-8-71					51.15	46.55	
FX2- 68P-1.27SV(71)	572-2006-2-71	68	53.23	41.91	46.99	—	—	
FX2- 68P-1.27SVL(71)	572-2056-0-71					56.23	51.63	
FX2- 80P-1.27SV(71)	572-2007-5-71	80	60.85	49.53	54.61	—	—	
FX2- 80P-1.27SVL(71)	572-2057-3-71					63.85	59.25	
FX2-100P-1.27SV(71)	572-2008-8-71	100	73.55	62.23	67.31	—	—	
FX2-100P-1.27SVL(71)	572-2058-6-71					76.55	71.95	
FX2-120P-1.27SV(71)	572-2009-0-71	120	86.25	74.93	80.01	—	—	
FX2-120P-1.27SVL(71)	572-2059-9-71					89.25	84.65	

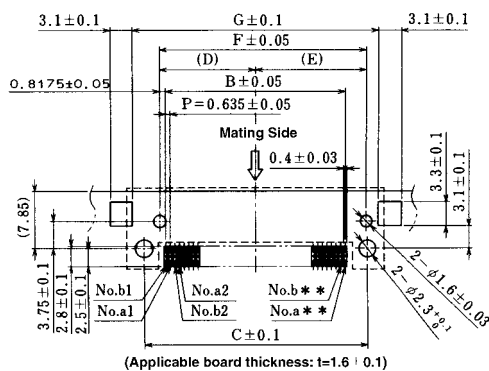
## Header SMT Type

### Right Angle Type

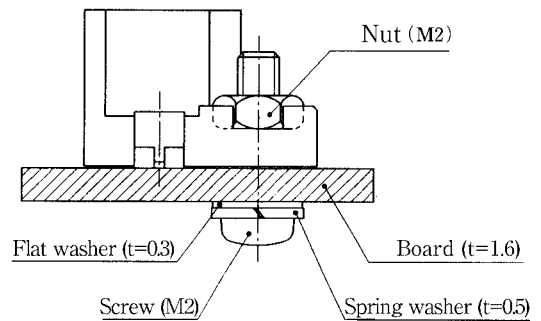


Note: The FX2A type does not have bosses as shown in the illustration.

### PCB mounting Pattern



### Recommended Screw Clamp



Use M2 screw for fixture.  
Recommended torque is 0.15(N•m).

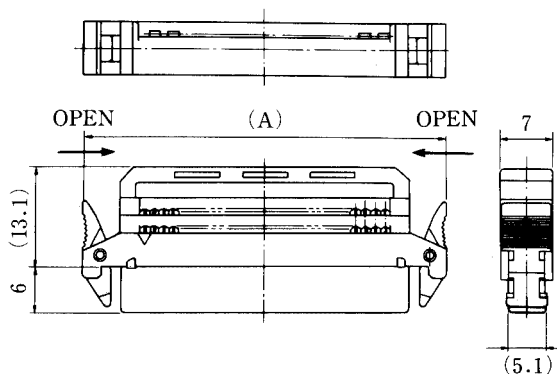
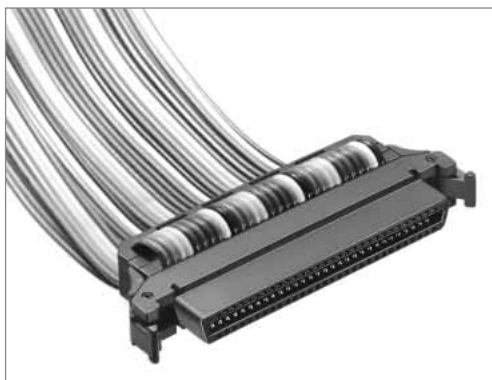
Unit: mm

Part Number	CL No.	Number of Contacts	A	B	C	D	E	F	G	RoHS
FX2-20P-0.635SH(71)	572-2761-2-71	20	22.75	12.065	18.05	6.85	8.85	15.7	21.15	YES
FX2A-20P-0.635SH(71)	572-2771-6-71					—	—	—		
FX2-40P-0.635SH(71)	572-2763-8-71	40	35.45	24.765	30.75	13.2	15.2	28.4	33.85	
FX2A-40P-0.635SH(71)	572-2773-1-71					—	—	—		
FX2-52P-0.635SH(71)	572-2764-0-71	52	43.07	32.385	38.37	17.01	19.01	36.02	41.47	
FX2A-52P-0.635SH(71)	572-2774-4-71					—	—	—		
FX2-60P-0.635SH(71)	572-2765-3-71	60	48.15	37.465	43.45	19.55	21.55	41.1	46.55	
FX2A-60P-0.635SH(71)	572-2775-7-71					—	—	—		
FX2-80P-0.635SH(71)	572-2767-9-71	80	60.85	50.165	56.15	25.9	27.9	53.8	59.25	
FX2A-80P-0.635SH(71)	572-2777-2-71					—	—	—		



## ■ Socket Type

### ● Lock Cable Type

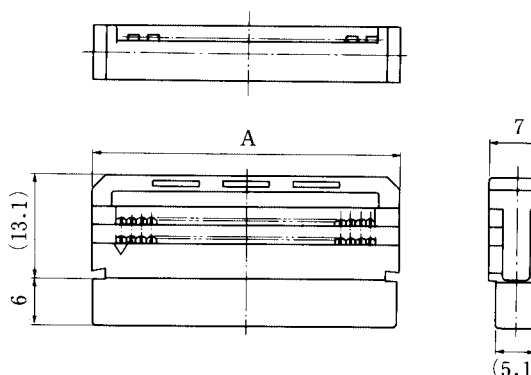
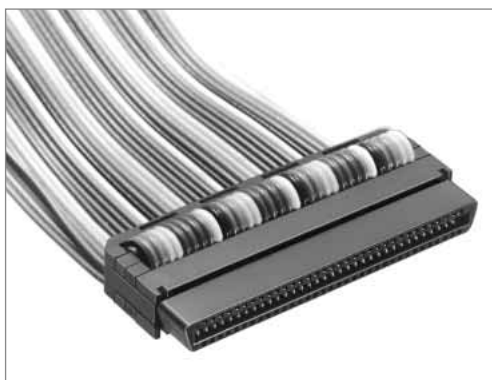


Combination View

Unit: mm

Part Number	CL No.	Number of Contacts	A	RoHS
FX2B- 20SA-1.27R	572-0621-2	20	27.83	YES
FX2B- 32SA-1.27R	572-0622-5	32	35.45	
FX2B- 40SA-1.27R	572-0623-8	40	40.53	
FX2B- 52SA-1.27R	572-0624-0	52	48.15	
FX2B- 60SA-1.27R	572-0625-3	60	53.23	
FX2B- 68SA-1.27R	572-0629-4	68	58.31	
FX2B- 80SA-1.27R	572-0630-3	80	65.93	
FX2B-100SA-1.27R	572-0628-1	100	78.63	

### ● Unlock Cable Type



Combination View

Unit: mm

Part Number	CL No.	Number of Contacts	A	RoHS
FX2BA- 20SA-1.27R	572-0671-0	20	18.05	YES
FX2BA- 32SA-1.27R	572-0672-3	32	25.67	
FX2BA- 40SA-1.27R	572-0673-6	40	30.75	
FX2BA- 52SA-1.27R	572-0674-9	52	38.37	
FX2BA- 60SA-1.27R	572-0675-1	60	43.45	
FX2BA- 68SA-1.27R	572-0676-4	68	48.53	
FX2BA- 80SA-1.27R	572-0677-7	80	56.15	
FX2BA-100SA-1.27R	572-0678-0	100	68.85	

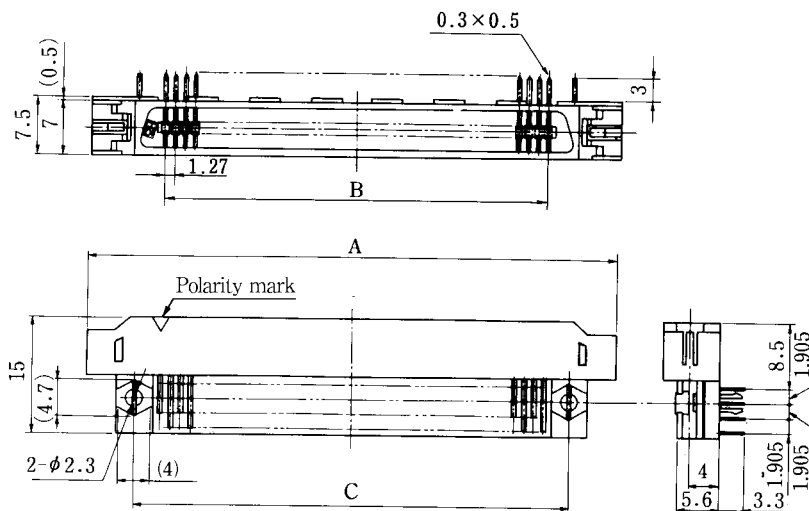
## ◆ Connection Tool

Type	Part Number	CL No.
Guide plate	FX2B(A)-GPA	550-0212-6
Connection press	Hi-Flex connection press	550-0082-2

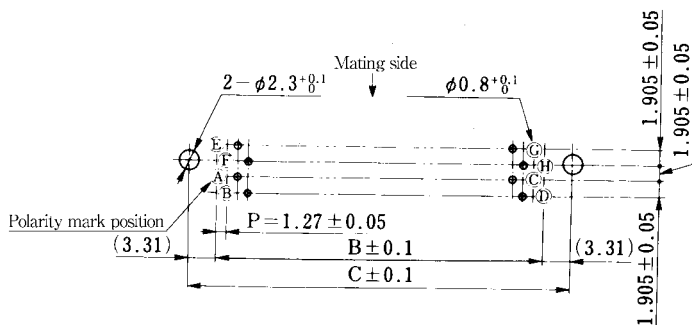
Note: HRS6 cable cutter FC601 isn't required for FX2B(A) connection.  
(Connected without convex-concave cutting.)

## Header

### ● Right Angle Type for Lock



### ◆ PCB mounting pattern



n= number of contacts

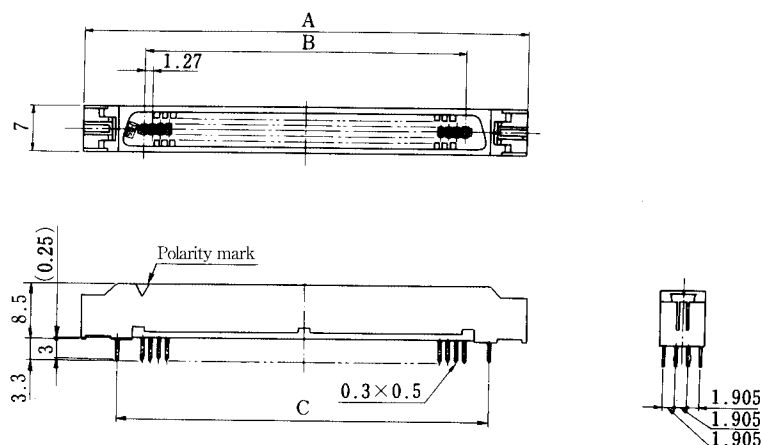
- Ⓐ a1                      Ⓔ b1
- Ⓑ a2                      Ⓕ b2
- Ⓒ  $a\frac{n}{2}-1$               Ⓖ  $b\frac{n}{2}-1$
- Ⓓ  $a\frac{n}{2}$                     Ⓖ  $b\frac{n}{2}$

Unit: mm

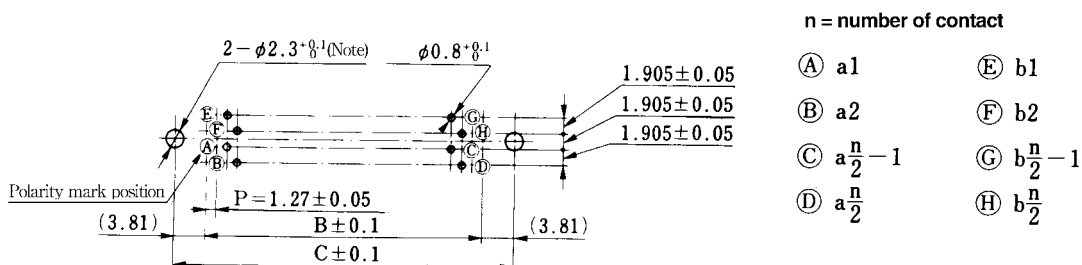
Part Number	CL No.	Number of Contacts	A	B	C	RoHS
FX2B- 20PA-1.27DS(71)	572-0721-7-71	20	30.33	11.43	18.05	YES
FX2B- 20PA-1.27DSL(71)	572-0771-5-71					
FX2B- 32PA-1.27DS(71)	572-0722-0-71	32	37.95	19.05	25.67	
FX2B- 32PA-1.27DSL(71)	572-0772-8-71					
FX2B- 40PA-1.27DS(71)	572-0723-2-71	40	43.03	24.13	30.75	
FX2B- 40PA-1.27DSL(71)	572-0773-0-71					
FX2B- 52PA-1.27DS(71)	572-0724-5-71	52	50.65	31.75	38.37	
FX2B- 52PA-1.27DSL(71)	572-0774-3-71					
FX2B- 60PA-1.27DS(71)	572-0725-8-71	60	55.73	36.83	43.45	
FX2B- 60PA-1.27DSL(71)	572-0775-6-71					
FX2B- 68PA-1.27DS(71)	572-0726-0-71	68	60.81	41.91	48.53	
FX2B- 68PA-1.27DSL(71)	572-0776-9-71					
FX2B- 80PA-1.27DS(71)	572-0727-3-71	80	68.43	49.53	56.15	
FX2B- 80PA-1.27DSL(71)	572-0777-1-71					
FX2B-100PA-1.27DS(71)	572-0728-6-71	100	81.13	62.23	68.85	
FX2B-100PA-1.27DSL(71)	572-0778-4-71					

## Header No Cleaning Type

### ● Straight Type for Lock



## ◆ PCB mounting pattern



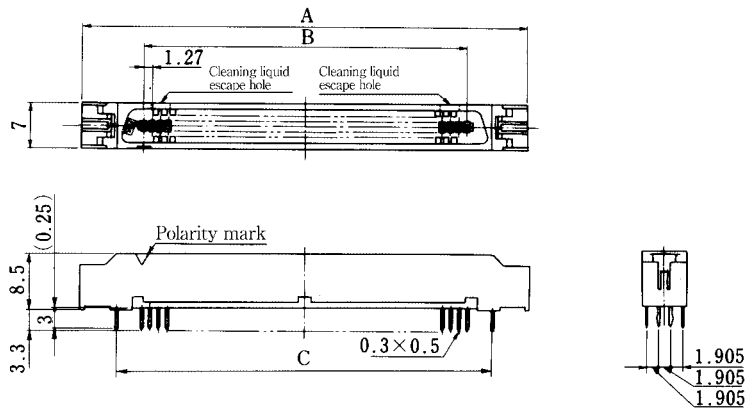
Note: Not required, unless the prefixed pin is attached.

Unit: mm

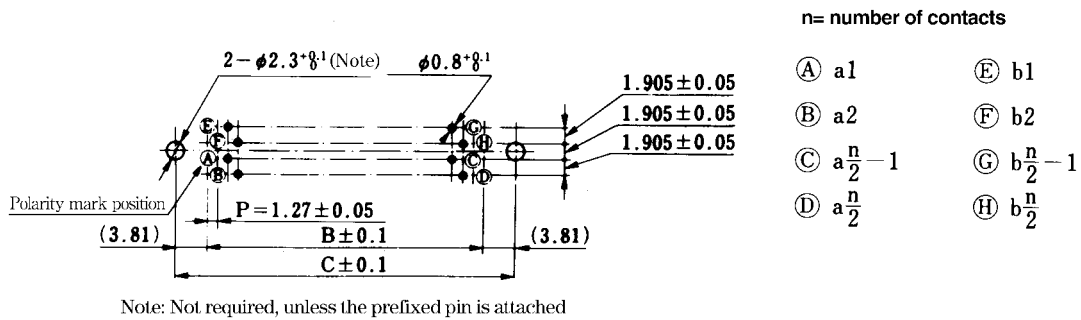
Part Number	CL No.	Number of Contacts	A	B	C	RoHS
FX2B- 20P-1.27DSA(71)	572-0801-4-71	20	30.33	11.43	—	YES
FX2B- 20P-1.27DSAL(71)	572-0851-2-71				19.05	
FX2B- 32P-1.27DSA(71)	572-0802-7-71	32	37.95	19.05	—	
FX2B- 32P-1.27DSAL(71)	572-0852-5-71				26.67	
FX2B- 40PA-1.27DSA(71)	572-0823-7-71	40	43.03	24.13	—	
FX2B- 40PA-1.27DSAL(71)	572-0873-5-71				31.75	
FX2B- 52PA-1.27DSA(71)	572-0824-0-71	52	50.65	31.75	—	
FX2B- 52PA-1.27DSAL(71)	572-0874-8-71				39.37	
FX2B- 60PA-1.27DSA(71)	572-0825-2-71	60	55.73	36.83	—	
FX2B- 60PA-1.27DSAL(71)	572-0875-0-71				44.45	
FX2B- 68PA-1.27DSA(71)	572-0826-5-71	68	60.81	41.91	—	
FX2B- 68PA-1.27DSAL(71)	572-0876-3-71				49.53	
FX2B- 80PA-1.27DSA(71)	572-0827-8-71	80	68.43	49.53	—	
FX2B- 80PA-1.27DSAL(71)	572-0877-6-71				57.15	
FX2B-100PA-1.27DSA(71)	572-0828-0-71	100	81.13	62.23	—	
FX2B-100PA-1.27DSAL(71)	572-0878-9-71				69.85	

## ■ Header Cleaning Type

### ● Straight Type for Lock



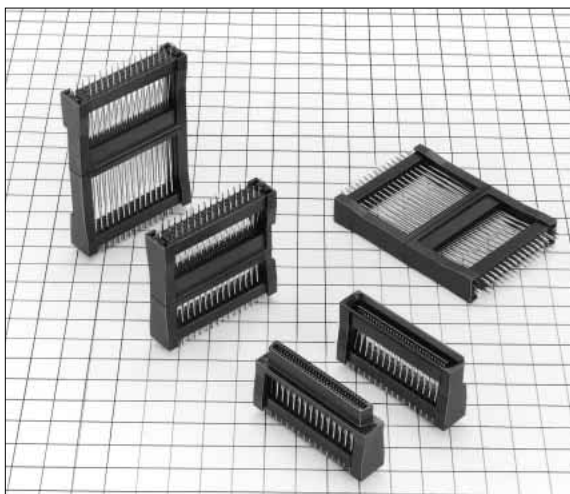
## ◆ PCB mounting pattern



Unit: mm

Part Number	CL No.	Number of Contacts	A	B	C	RoHS
FX2BA- 20P-1.27DSA(71)	572-0901-9-71	20	30.33	11.43	—	YES
FX2BA- 20P-1.27DSAL(71)	572-0951-7-71				19.05	
FX2BA- 32P-1.27DSA(71)	572-0902-1-71	32	37.95	19.05	—	
FX2BA- 32P-1.27DSAL(71)	572-0952-0-71				26.67	
FX2BA- 40PA-1.27DSA(71)	572-0923-1-71	40	43.03	24.13	—	
FX2BA- 40PA-1.27DSAL(71)	572-0973-0-71				31.75	
FX2BA- 52PA-1.27DSA(71)	572-0924-4-71	52	50.65	31.75	—	
FX2BA- 52PA-1.27DSAL(71)	572-0974-2-71				39.37	
FX2BA- 60PA-1.27DSA(71)	572-0925-7-71	60	55.73	36.83	—	
FX2BA- 60PA-1.27DSAL(71)	572-0975-5-71				44.45	
FX2BA- 68PA-1.27DSA(71)	572-0926-0-71	68	60.81	41.91	—	
FX2BA- 68PA-1.27DSAL(71)	572-0976-8-71				49.53	
FX2BA- 80PA-1.27DSA(71)	572-0927-2-71	80	68.43	49.53	—	
FX2BA- 80PA-1.27DSAL(71)	572-0977-0-71				57.15	
FX2BA-100PA-1.27DSA(71)	572-0928-5-71	100	81.13	62.23	—	
FX2BA-100PA-1.27DSAL(71)	572-0978-3-71				69.85	

**FX2M6 Series**



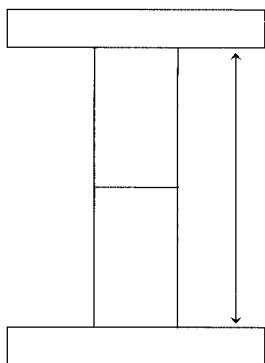
**Ordering Information**

**FX2M6    A - 60    P - 1.27    DSA    L**

①                    ②                    ③                    ④                    ⑤                    ⑥                    ⑦

① Series Name	: FX2M6
② Type No.	: A
③ Number of contacts	: 60
④ Contact Style	P :Header S :Receptacle
⑤ Contact pitch	: 1.27mm
⑥ DSA	:Straight type
⑦ L	:Board prefixed pin

**Stacking Variation**



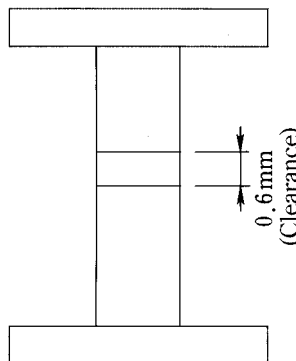
Unit: mm

Header \ Receptacle	FX2C-60S -1.27DSA	FX2C2-60S -1.27DSA	FX2M6B-60S -1.27DSAL	FX2M6A-60S -1.27DSAL
FX2C-60P -1.27DSA	12	14	28.2	44.2
FX2C1-60P -1.27DSA	13	15	29.2 *2	45.2 *2
FX2C2-60P -1.27DSA	14	16	30.2 *2	46.2 *2
FX2M6B-60P -1.27DSAL	28.4 *1	30.4 *1	44	60
FX2M6A-60P -1.27DSAL	34.4 *1	36.4 *1	50	66

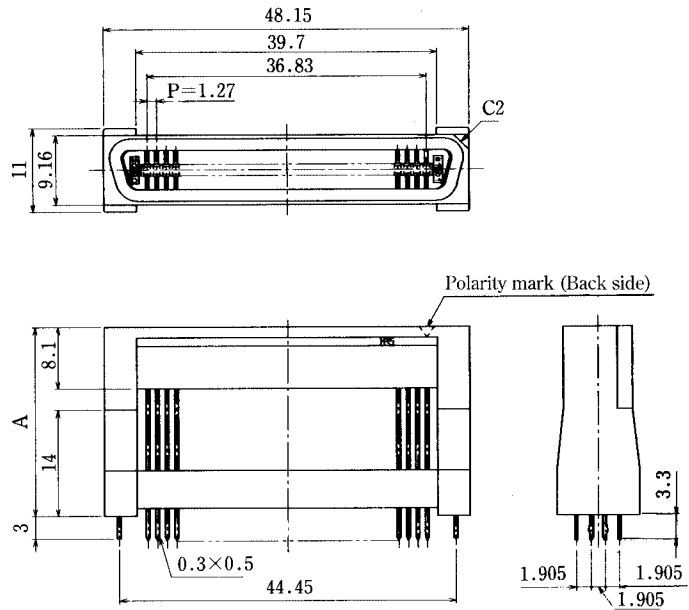
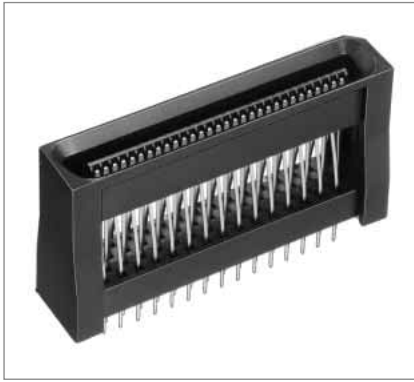
Note 1. Mate the male and female connectors to meet the allowable clearance within 1.0mm. However, set it within 0.4mm in combination \*1.

Note 2. In case of combination \*2, 0.6mm clearance occurs on the mating side, but no problem.

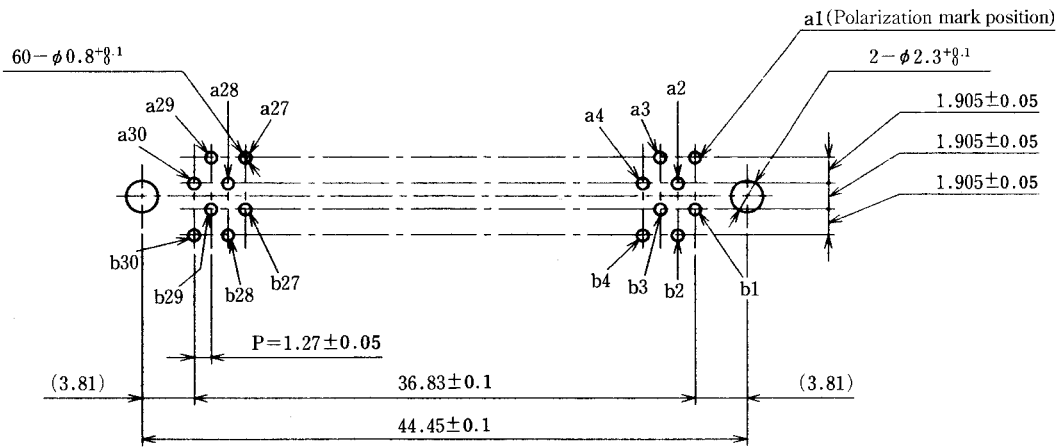
Note 3. After the board is mounted, fix the board by screws.



■ Header



◆ PCB mounting pattern

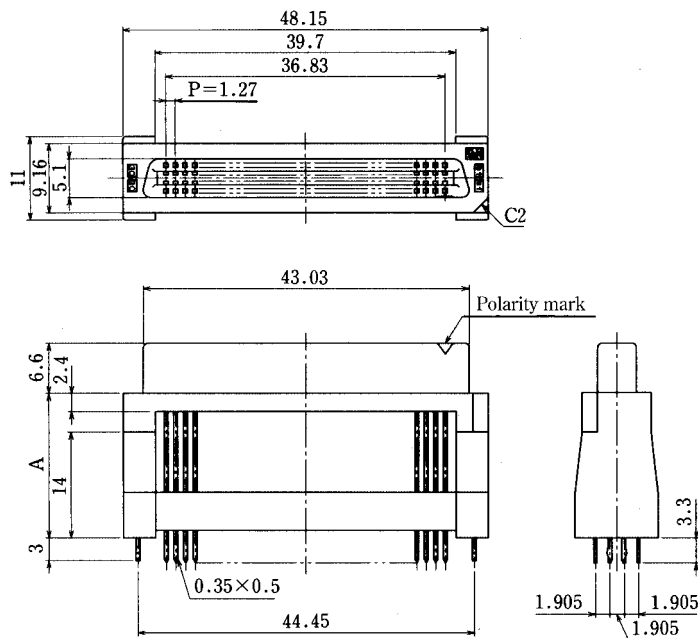
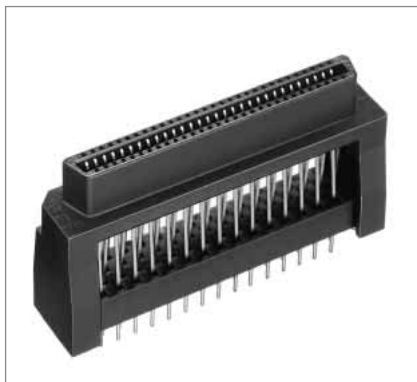


Applicable board thickness t = 1.6

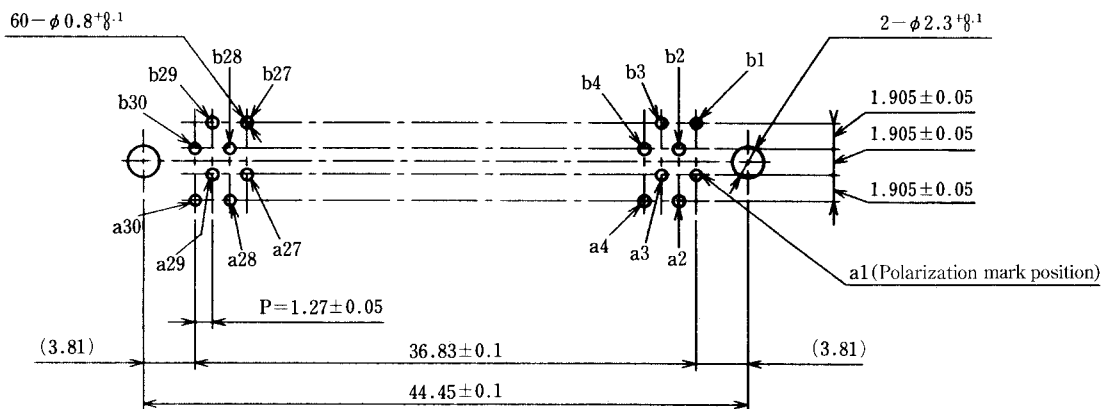
Unit: mm

Part Number	CL No.	A	RoHS
FX2M6A-60P-1.27DSAL(71)	572-1036-8-71	30.9	YES
FX2M6B-60P-1.27DSAL(71)	572-1041-8-71	24.9	

### ■ Receptacle



### ◆ PCB mounting pattern



Applicable board thickness  $t = 1.6$

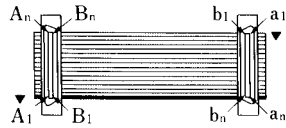
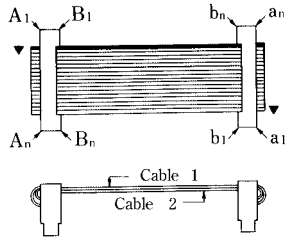
Unit: mm

Part Number	CL No.	A	RoHS
FX2M6A-60S-1.27DSAL(71)	572-1037-0-71	35.1	YES
FX2M6B-60S-1.27DSAL(71)	572-1042-0-71	19.1	

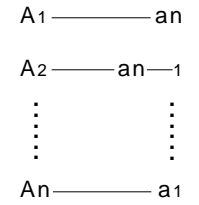
# Connection Circuit Diagram

$$n = \frac{\text{Number of Contacts}}{2}$$

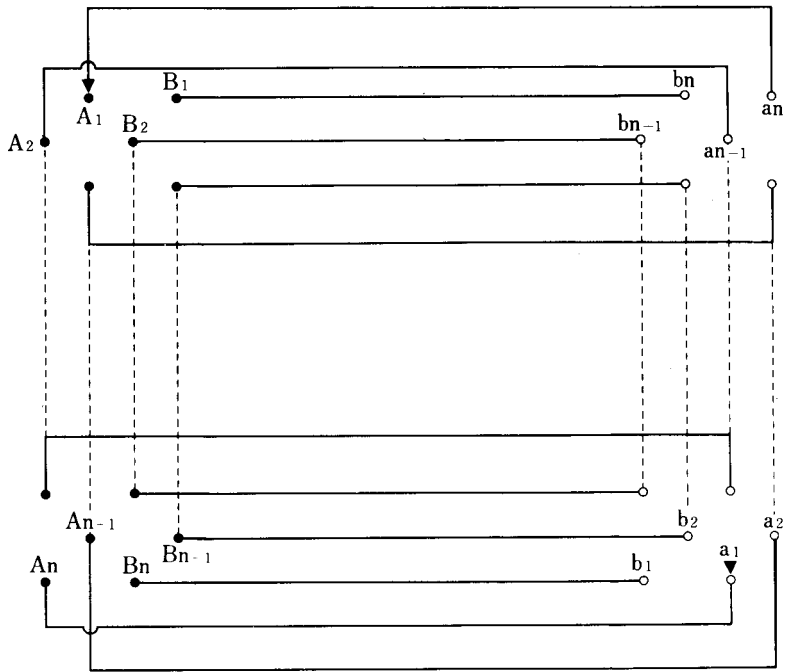
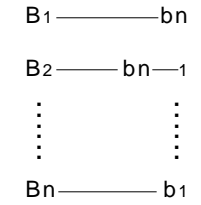
## Type A, B



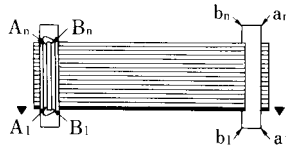
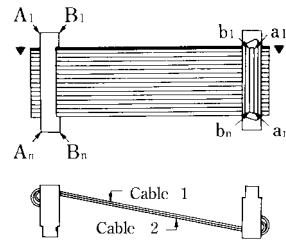
Connection to Cable 1



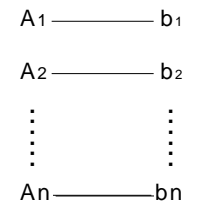
Connection to Cable 2



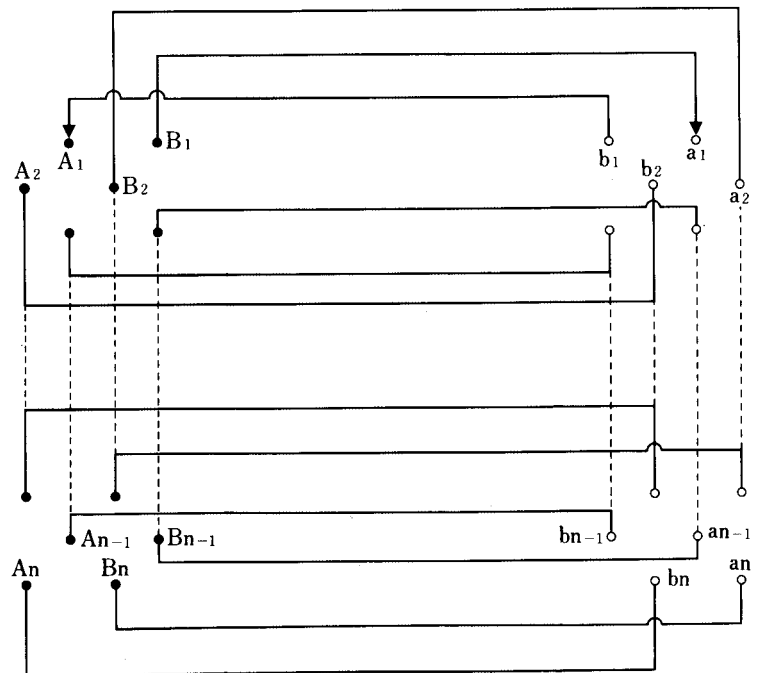
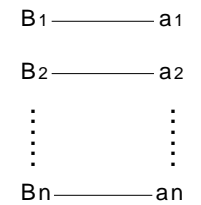
## Type A, A



Connection to Cable 1



Connection to Cable 2





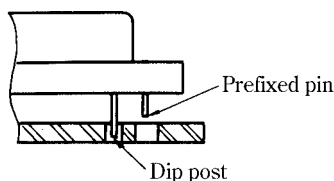
## ◆ Connector Use Hand book

### 1. Selecting connector

- ① The FX2 series is the perfect flux tight connector for the straight type in the soldering process, but it depends on the soldering process whether non-cleaning type (FX2C-\*, FX2B-\*) or cleaning type (FX2CA-\*, FX2BA-\*) should be selected. Please be sure to clean the right angle type (FX2-\*, FX2B-\*) connector. To clean the connector, please be sure to use detergent, containing no contaminant.
- ② To use the socket cable type, if a vibration or shock load is applied to the cable, select the lock type. In addition, if a load is applied to the cable, please be sure to use the cable clamp.

### 2. Prefixed Process to Board

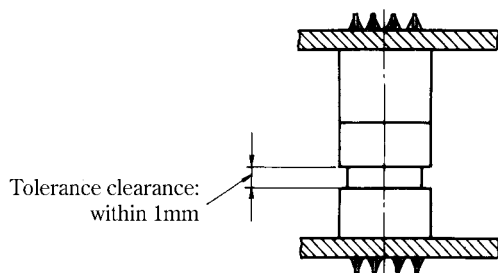
If the prefixed process is required for mounting the board, please use the prefixed pin type. (Applicable board thickness  $t = 1.6 \pm 0.1$ )



Note: In order to prevent the dip post breakage in the connector installation to the board, please insert the board in parallel to the connector so that the prefixed pin may be forcibly pushed in, after the dip post is guided to the board through-hole.

### 3. Mating Side Tolerance Clearance

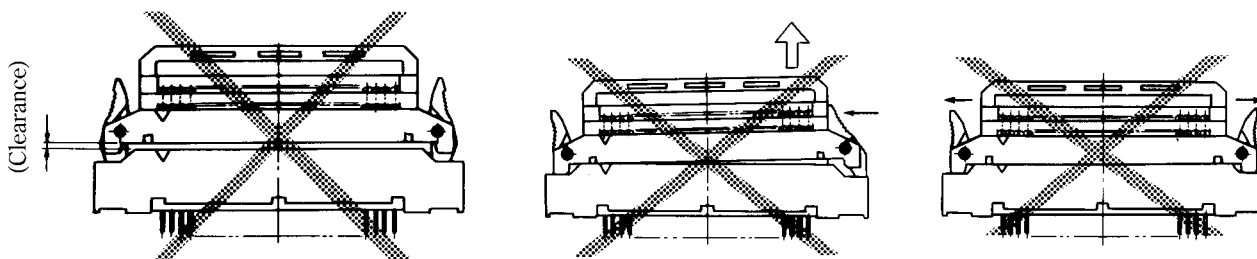
(Example) FX2C-\*P-1.27DSA and FX2C-\*S-1.27DSA



Set the tolerance clearance within 1mm to mate the male and female connectors. (Except for the lock cable type)

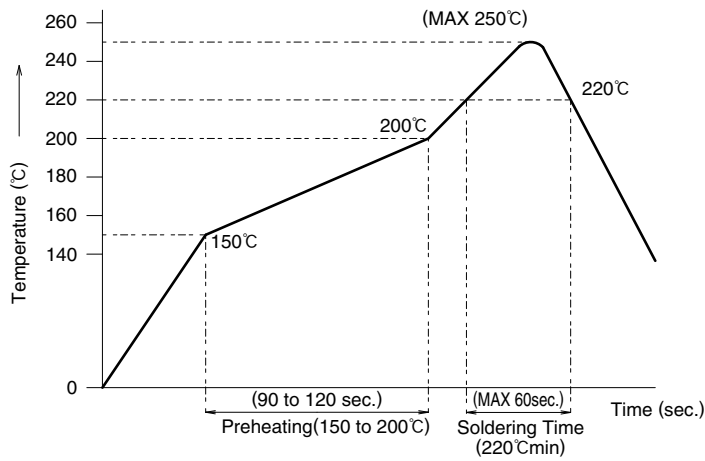
### 4. Cautions: for Using Lock Cable Type

- ① When the connector is mated, insert the connector by the end so as not to make a clearance.
- ② When the connector is inserted or extracted, please insert or extract the connector after the both lock levers are laid inside. If the connector is inserted or extracted with either lock lever laid, the connector may be broken.
- ③ please do not open the lock lever outside.



### 5. SMT Type Connector Mounting Temperature Profile (Reference)

● IR Reflow



**HRS test conditions**

Test board Glass epoxy 110mm×40mm×1.6mm thick

Solder method : Reflow

Solder composition : Paste,

96.5%Sn/ 3%Ag/ 0.5%Cu

Metal mask : 0.2mm thick (Straight)

0.15mm thick (Right angle)

Reflow cycles : 2 cycles

The temperature profile is based on the above conditions.

In individual applications the actual temperature may vary, depending on solder paste type, volume/thickness and board size/thickness. Consult your solder paste and equipment manufacturer for specific recommendations.

\* In regard to the straight type, please contact Hirose Electric about the recommended open area ratio when using a 0.15mm metal mask.

### 6. SMT Type Connector mated height

As shown in the application pattern, the mated height of the male/female connector doesn't contain the solder paste thickness. Thus, after the connector installation in the board, consider that the mated height will be widened in proportion to the solder paste thickness.