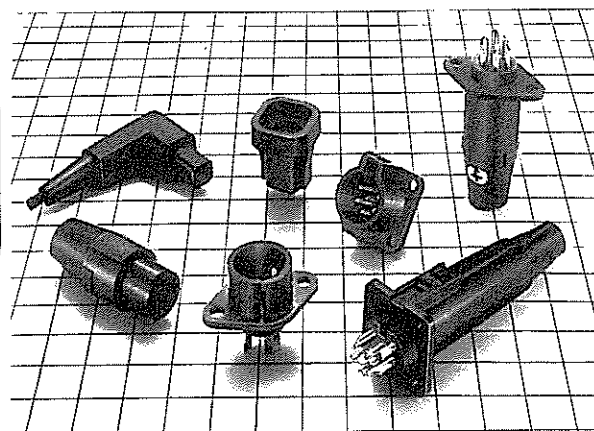


RP SERIES CIRCULAR PLASTIC CONNECTORS

Scope

RP series plastic connectors are developed to meet the demands of low cost and light weight consumer electronic equipment. Its unique one-touch locking mechanism is a push-on system. It offers easy coupling and stable performance.



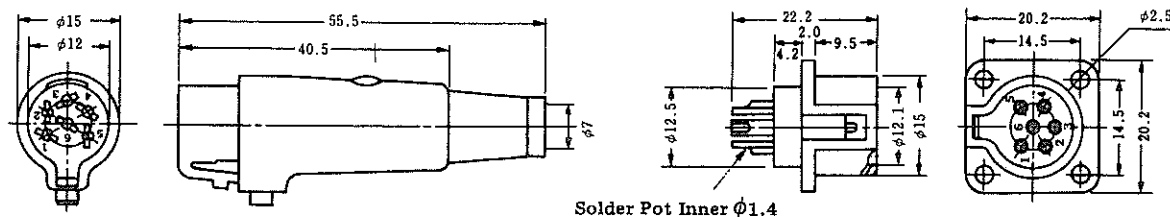
Material and Finish

Description	Material	Finish
Molding and Insulator	Polyamide resin and Polyacetal resin	—
Male pin	Brass	Silver plating
Female pin	Phosphor bronze	Silver plating

Performance

Description	Test data	
	RPC1 • RPC2	RP9
Withstand voltage	AC500V/1 minute	AC300V/1 minute
Current capacity	5A	1A
Insulation resistance	DC500V/1,000MΩ min	DC100V/200MΩ min
Contact resistance	5mΩ max at DC1A	10mΩ max at DC1A

RPC1

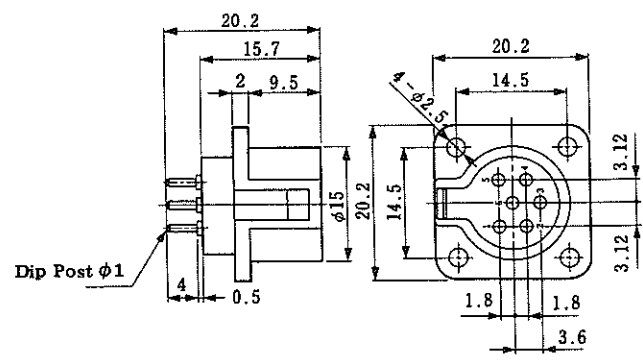


Solder Pot Inner $\phi 1.4$

HRS No.	Part No.	No. of pin	Colour	RoHS
113-0001-8-71	RPC1-12P-6S(71)	6	Glau	○
113-0001-8-73	RPC1-12P-6S(73)	6	Black	

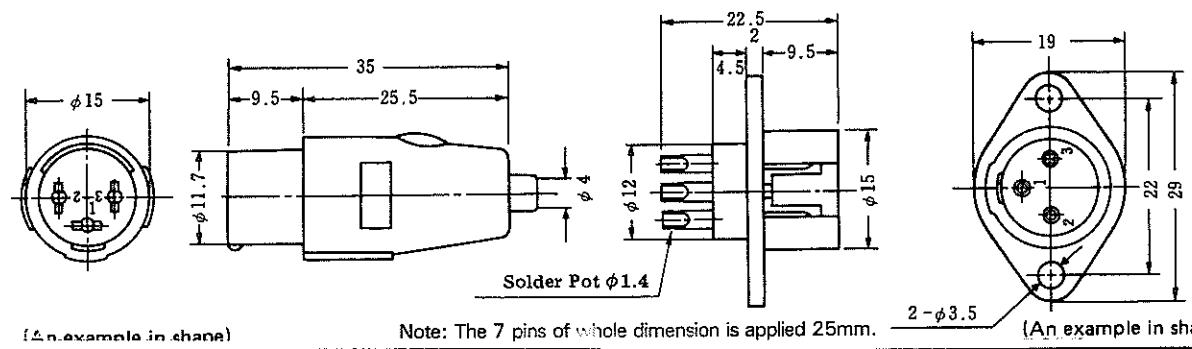
HRS No.	Part No.	No. of pin	Colour	RoHS
113-0020-2-71	RPC1-12RB-6P(71)	6	Black	○
113-0020-2-72	RPC1-12RB-6P(72)	6	Glau	

Oct.1.2018 Copyright 2018 HIROSE ELECTRIC CO., LTD. All Rights Reserved.



HRS No.	Part No.	No. of pin	Colour	RoHS
113-0065-0-71	RPC1-12RB-6PD(71)	6	Black	○

■RPC2



(An example in shape)

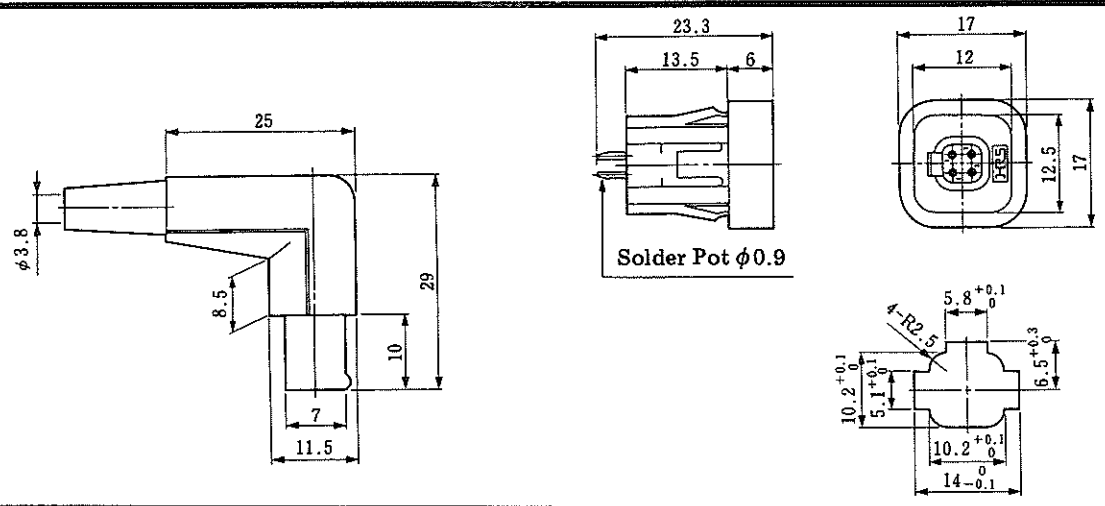
Note: The 7 pins of whole dimension is applied 25mm.

(An example in shape)

HRS No.	Part No.	No. of pin	Colour	RoHS
113-0003-3-71	RPC2-12P-3S(71)	3	Blue	○
113-0015-2-71	RPC2-12P-7S(71)	7	Blue	

HRS No.	Part No.	No. of pin	Colour	RoHS
113-0023-0-71	RPC2-12RB-3P(71)	3	Blue	○
113-0024-3-71	RPC2-12RB-7P(71)	7	Blue	

■RP9



HRS No.	Part No.	No. of pin	Colour	RoHS
113-0049-4-71	RP9-7P-4P(71)	4	Black	○

HRS No.	Part No.	No. of pin	Colour
113-0050-3	RP9-7R-4S	4	Black

Remark: Applicable panel thickness: 1.6±0.03mm.