

CIRCULAR CONNECTORS

UK-AN

FIREPROOF RANGE

Shell Style 6300

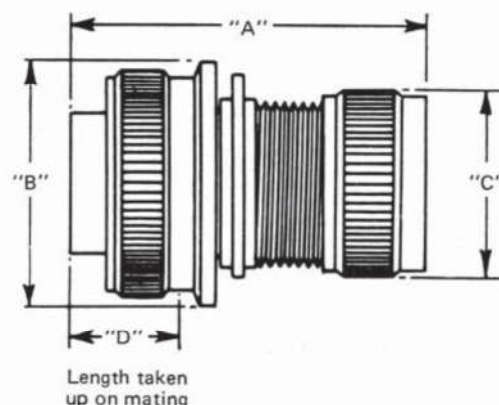
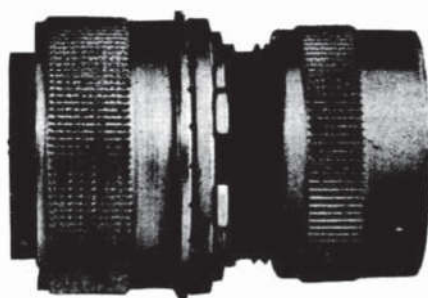
Free Unit fireproof

Shell style 6300 is the basic free unit of the range of Fireproof UK-AN connectors and will withstand a flame temperature of 1100°C for not less than 20 minutes in accordance with the specification MIL-C-5015D. This unit is supplied complete with a fireproof baffle washer to suit the specified contact arrangement. A new anti-vibration

device is now incorporated.

This item can be supplied as a socket in all shell sizes or as a plug in sizes 12s to 36 inclusive.

Where a combination of flame and vibration is likely to be encountered, we strongly recommend the use of cable clamp styles 6400, 6500, 6700 or 6900 for extra security.



UK-AN CODE NUMBER BY SHELL SIZE	Overall Length 'A'	Coupling Nut Diameter 'B'	Outlet Nut Diameter 'C'	Length of Engagement 'D'	Average Weight (Ounces)	
					Plug	Socket
UK-AN-6300-10s-t	1.80"	0.85"	0.66"	0.54"	1.4	1.5
UK-AN-6300-12s-t	1.86"	0.97"	0.78"	0.54"	1.8	1.9
UK-AN-6300-14s-t	1.86"	1.09"	0.91"	0.54"	2.1	2.2
UK-AN-6300-16-t	2.03"	1.23"	1.03"	0.73"	2.9	3.1
UK-AN-6300-18-t	2.03"	1.35"	1.16"	0.73"	3.5	3.7
UK-AN-6300-20-t	2.03"	1.46"	1.28"	0.73"	4.1	4.4
UK-AN-6300-22-t	2.03"	1.60"	1.41"	0.73"	4.8	5.2
UK-AN-6300-24-t	2.03"	1.71"	1.53"	0.73"	5.3	5.7
UK-AN-6300-28-t	2.03"	1.98"	1.78"	0.73"	7.5	8.0
UK-AN-6300-32-t	2.03"	2.21"	1.91"	0.73"	8.6	10.3
UK-AN-6300-36-t	2.03"	2.46"	2.16"	0.73"	9.5	10.9

† Contact arrangements (see pages 6 to 9) and 'P' or 'S' to denote plug or socket must be added to complete the UK-AN code number.

A typical code number is UK-AN-6300-18-1-S.

Unless otherwise specified all units will contain an insulator of high-grade silicone rubber to provide maximum general performance. A special kerosene-resistant unit can be

obtained by specifying the symbol "E.T." in the code number. Further details are given on page 4.