

### FIREPROOF RANGE

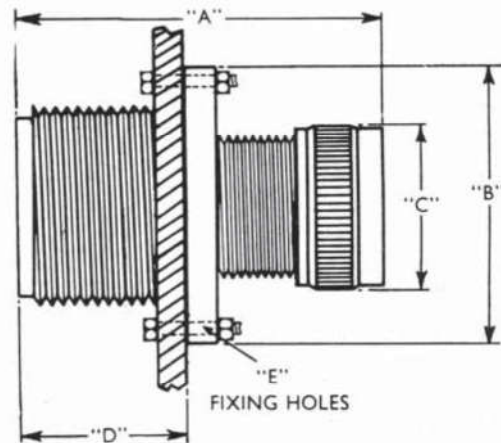
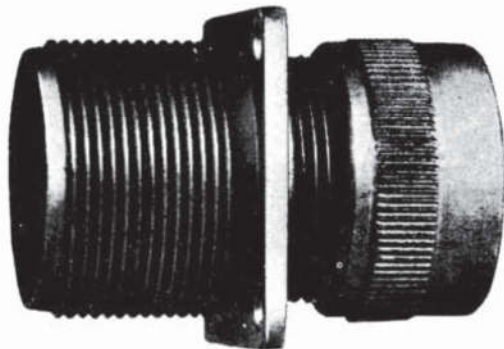
### Shell Style 5300

#### Fixed Unit fireproof

Shell style 5300 is the basic fixed unit of the range of fireproof UK- AN connectors and will withstand a flame temperature of 1100°C for not less than 20 minutes in accordance with the specification MIL-C-5015D.

This unit is supplied complete with a fireproof baffle washer to suit the specified contact arrangement.

This item can be supplied as a socket in all shell sizes or as a plug in 12s to 36 inclusive.



UK-AN CODE NUMBER BY SHELL SIZE	Overall Length 'A'	Square Flange 'B'	Outlet Nut 'C'	Dimension 'D'	Fixing Holes 'E'	Average Weight (Ounces)		Maximum Panel Thickness Mounted From Rear
						Plug	Socket	
UK-AN-5300-10s-t	1.80"	1.00"	0.66"	0.74"	0.150"	1.4	1.5	0.380"
UK-AN-5300-12s-t	1.86"	1.09"	0.78"	0.74"	0.150"	1.8	1.9	0.380"
UK-AN-5300-14s-t	1.86"	1.18"	0.91"	0.74"	0.150"	2.2	2.3	0.380"
UK-AN-5300-16-t	2.03"	1.28"	1.03"	0.90"	0.150"	2.7	2.8	0.320"
UK-AN-5300-18-t	2.03"	1.37"	1.16"	0.90"	0.177"	3.3	3.5	0.320"
UK-AN-5300-20-t	2.03"	1.50"	1.28"	0.90"	0.177"	4.0	4.3	0.320"
UK-AN-5300-22-t	2.03"	1.62"	1.41"	0.90"	0.177"	4.4	5.0	0.320"
UK-AN-5300-24-t	2.03"	1.75"	1.53"	0.90"	0.177"	5.3	5.9	0.320"
UK-AN-5300-28-t	2.03"	2.00"	1.78"	0.90"	0.177"	7.3	8.2	0.320"
UK-AN-5300-32-t	2.03"	2.25"	1.91"	0.86"	0.209"	9.3	10.4	0.280"
UK-AN-5300-36-t	2.03"	2.50"	2.16"	0.86"	0.209"	10.9	12.3	0.280"

† Contact arrangements (see pages 6 to 9) and 'P' or 'S' to denote plug or socket must be added to complete the UK-AN code number.

A typical code number is UK-AN-5300-18-1-P.

Unless otherwise specified, all units will contain an insulator of high-grade silicone rubber to provide maximum general performance. A special kerosene-resistant unit can be

obtained by specifying the symbol "E.T." in the code number. Further details are given on page 4.