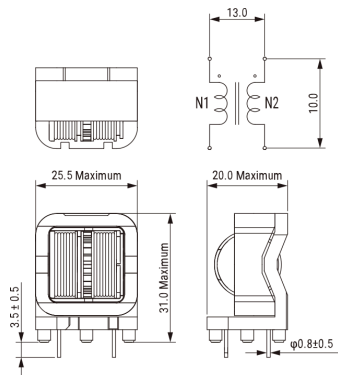


KEMET, SSRH24NV/NH, Commercial Grade, 6900 uH



General Information	
Series:	SSRH24NV/NH
Style:	Through-Hole Choke
Description:	Common Mode Choke. AC Line Filter. High Impedance Type.
Features:	Compact Size, Light Weight, Low Rdc, Ultra-High Impedance
RoHS:	Yes
Lead:	Wire Leads
Miscellaneous:	Temperature Rise Maximum: 65 K

Dimensions	
L	25.5mm MAX
T	20mm MAX
H	31mm MAX
S	13mm NOM
S1	10mm NOM
LL	3.5mm +/-0.5mm
F	0.8mm +/-0.5mm
Wire Size	0.65mm

Specifications	
Inductance:	6.9 mH (10 kHz)
Temperature Range:	-25/+120C
Rated Temperature:	120C
Current:	4 A
Voltage AC:	250 VAC
Withstanding Voltage:	2400 VAC MAX
Insulation Resistance:	100 MOhms

Packaging Specifications	
Weight:	25 g
Packaging:	Tray
Packaging Quantity:	200