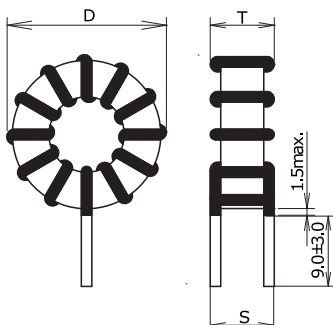


KEMET, HHBC, Choke, 81 uH, 20%



General Information	
<b>Series:</b>	HHBC
<b>Style:</b>	Through-Hole Toroid
<b>Description:</b>	Normal Mode Choke Coil. AC Line Filter.
<b>Features:</b>	Noise Solution, Switching Power Supply Outlets, DC-DC Converter
<b>RoHS:</b>	Yes
<b>Lead:</b>	Wire Leads
<b>Core:</b>	Ferrite
<b>Miscellaneous:</b>	30 (K) Temperature Rise Max.

Dimensions	
<b>D</b>	30mm MAX
<b>T</b>	15.7mm MAX
<b>S</b>	11mm NOM
<b>LL</b>	9mm +/-3mm
<b>G</b>	1.5mm MAX
<b>Wire Size</b>	1.2mm

Specifications	
<b>Inductance:</b>	81 uH
<b>Inductance Tolerance:</b>	20%
<b>Temperature Range:</b>	-40/+125C
<b>Rated Temperature:</b>	125C
<b>Current:</b>	6 A (MAX)

Packaging Specifications	
<b>Weight:</b>	26 g
<b>Packaging:</b>	Tray
<b>Packaging Quantity:</b>	150