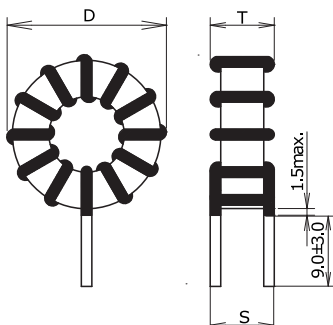


KEMET, HHBC, Choke, 219 uH, 20%



General Information	
Series:	HHBC
Style:	Through-Hole Toroid
Description:	Normal Mode Choke Coil. AC Line Filter.
Features:	Noise Solution, Switching Power Supply Outlets, DC-DC Converter
RoHS:	Yes
Lead:	Wire Leads
Core:	Ferrite
Miscellaneous:	65 (K) Temperature Rise Max.

Dimensions	
D	50.5mm MAX
T	26.5mm MAX
S	19mm NOM
LL	9mm +/-3mm
G	1.5mm MAX
Wire Size	2mm

Specifications	
Inductance:	219 uH
Inductance Tolerance:	20%
Temperature Range:	-40/+125C
Rated Temperature:	125C
Current:	15 A (MAX)

Packaging Specifications	
Weight:	149 g
Packaging:	Tray
Packaging Quantity:	60

Statements of suitability for certain applications are based on our knowledge of typical operating conditions for such applications, but are not intended to constitute - and we specifically disclaim - any warranty concerning suitability for a specific customer application or use. This Information is intended for use only by customers who have the requisite experience and capability to determine the correct products for their application. Any technical advice inferred from this Information or otherwise provided by us with reference to the use of our products is given gratis, and we assume no obligation or liability for the advice given or results obtained.