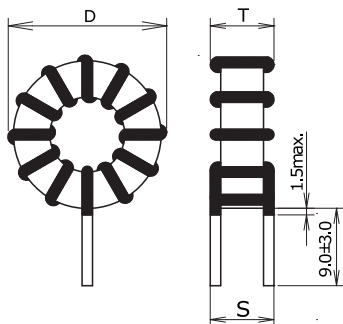


KEMET, PHBC, Choke, 38 uH, 20%



| General Information | |
|---------------------|--|
| Series: | PHBC |
| Style: | Through-Hole Toroid |
| Description: | Normal Mode Choke Coil. AC Line Filter. |
| Features: | Switching Power Supply Outlet, DC-DC Converter, Phase Compensation, Noise Solution |
| RoHS: | Yes |
| Lead: | Wire Leads |
| Core: | Ferrite |
| Miscellaneous: | 15 (K) Temperature Rise Max. |

| Dimensions | |
|------------|------------|
| D | 21.5mm MAX |
| T | 11.7mm MAX |
| S | 8mm NOM |
| LL | 9mm +/-3mm |
| G | 1.5mm MAX |
| Wire Size | 0.8mm |

| Specifications | |
|-----------------------|-----------------|
| Inductance: | 38 uH (0.1 MHz) |
| Inductance Tolerance: | 20% |
| Temperature Range: | -40/+125C |
| Rated Temperature: | 125C |
| Current: | 3 A (MAX) |

| Packaging Specifications | |
|--------------------------|------|
| Weight: | 11 g |
| Packaging: | Tray |
| Packaging Quantity: | 240 |