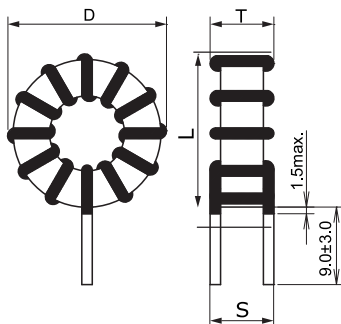


KEMET, SHBC, Choke, 38 uH, 20%



General Information	
<b>Series:</b>	SHBC
<b>Style:</b>	Through-Hole Toroid
<b>Description:</b>	Normal Mode Choke Coil. AC Line Filter.
<b>Features:</b>	Low Core Loss, High Frequency Drive
<b>RoHS:</b>	Yes
<b>Lead:</b>	Wire Leads
<b>Miscellaneous:</b>	15 (K) Temperature Rise Max.

Dimensions	
<b>D</b>	21.5mm MAX
<b>L</b>	21.5mm MAX
<b>T</b>	21.5mm MAX
<b>S</b>	8mm NOM
<b>LL</b>	9mm +/-3mm
<b>G</b>	1.5mm MAX
<b>Wire Size</b>	0.8mm

Specifications	
<b>Inductance:</b>	38 uH
<b>Inductance Tolerance:</b>	20%
<b>Temperature Range:</b>	-40/+125C
<b>Rated Temperature:</b>	125C
<b>Current:</b>	3 A (MAX)

Packaging Specifications	
<b>Weight:</b>	9 g
<b>Packaging:</b>	Tray
<b>Packaging Quantity:</b>	240

Statements of suitability for certain applications are based on our knowledge of typical operating conditions for such applications, but are not intended to constitute - and we specifically disclaim - any warranty concerning suitability for a specific customer application or use. This Information is intended for use only by customers who have the requisite experience and capability to determine the correct products for their application. Any technical advice inferred from this Information or otherwise provided by us with reference to the use of our products is given gratis, and we assume no obligation or liability for the advice given or results obtained.