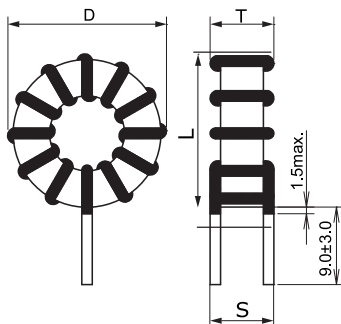


KEMET, SHBC, Choke, 39 uH, 20%



Dimensions

D	50.1mm MAX
L	50.1mm MAX
T	50.1mm MAX
S	20mm NOM
LL	9mm +/-3mm
G	1.5mm MAX
Wire Size	2.1mm x 2P

Packaging Specifications

Weight:	135 g
Packaging:	Tray
Packaging Quantity:	60

General Information

Series:	SHBC
Style:	Through-Hole Toroid
Description:	Normal Mode Choke Coil. AC Line Filter.
Features:	Low Core Loss, High Frequency Drive
RoHS:	Yes
Lead:	Wire Leads
Miscellaneous:	50 (K) Temperature Rise Max.

Specifications

Inductance:	39 uH
Inductance Tolerance:	20%
Temperature Range:	-40/+125C
Rated Temperature:	125C
Current:	30 A (MAX)

Statements of suitability for certain applications are based on our knowledge of typical operating conditions for such applications, but are not intended to constitute - and we specifically disclaim - any warranty concerning suitability for a specific customer application or use. This Information is intended for use only by customers who have the requisite experience and capability to determine the correct products for their application. Any technical advice inferred from this Information or otherwise provided by us with reference to the use of our products is given gratis, and we assume no obligation or liability for the advice given or results obtained.