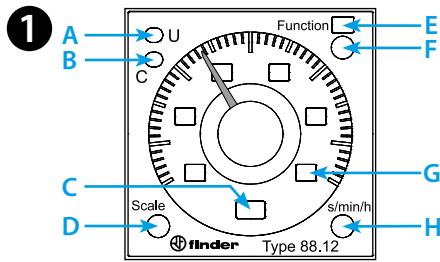
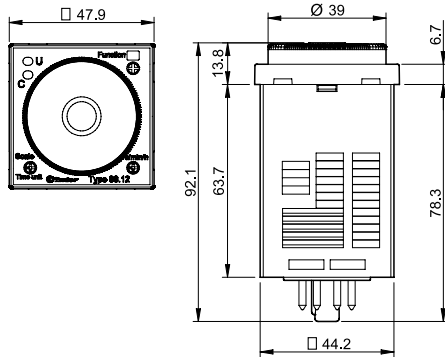




88.12

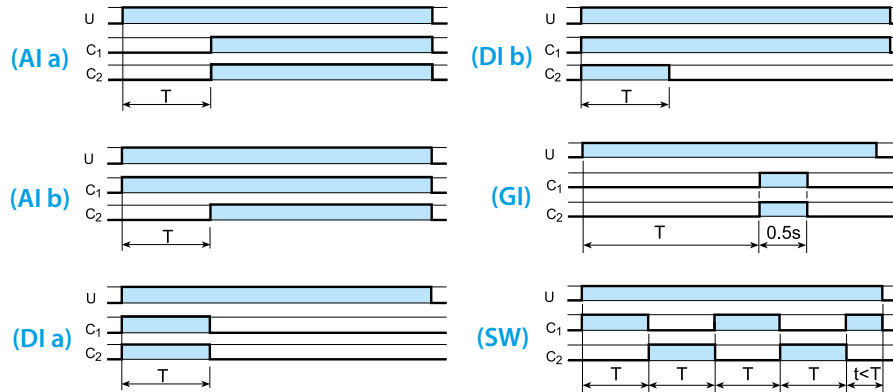
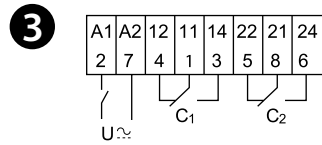


	88.12.0.230.0002 U _N (24...230)V AC (50/60 Hz) / DC U _{min} 20.4 V AC / DC U _{max} 264.5 V AC / DC P 2.5 VA (230 V) / 1.5 W (24 V)
	2 CO (DPDT) 8 A 250 V AC AC1 2000 VA AC15 (230 V AC) 400 VA M (230 V AC) 0.3 kW DC1 (30/110/220)V (8/0.3/0.12)A
	(-10...+55)°C
IP40	



2

D \ H	sec	min	h	hx10
0.5	0.5 s	0.5 min	0.5 h	5 h
1	1 s	1 min	1 h	10 h
5	5 s	5 min	5 h	50 h
10	10 s	10 min	10 h	100 h



LED A (U _N)	LED B (⌚)	U _N		
		-	x1 - x4	x1 - x2
		✓	x1 - x4 x1 - x2	x1 - x2 x1 - x4
		✓	⌚ x1 - x4	x1 - x2
		✓	x1 - x2	x1 - x4

ENGLISH

88.12 PLUG-IN TIMERS

- 1 FRONT VIEW**
- A Yellow LED: power ON (U)
 - B Red LED: timing in progress (C)
 - C Unit of time selected
 - D Time scale selector
 - E Function selected
 - F Function selector: Ala - Alb - Dla - Dlb - GI - SW
 - G Time selected: 0.5 - 1 - 5 - 10
 - H Unit of time selector: sec(second), min (minute), h (hour), hx10(10 hour)

- 2 FULL SCALE VALUE FOR TYPE 88.12**
- D Time scale selector : 0.5 - 1 - 5 - 10
 - H Unit of time selector: sec(second), min (minute), h (hour), hx10(10 hour)

- 3 WIRING DIAGRAM AND FUNCTIONS Without control signal**
- Ala On-delay (2 timed contacts)
 - Alb On-delay (1 timed + 1 instantaneous contact)
 - Dla Interval (2 timed contacts)
 - Dlb Interval (1 timed + 1 instantaneous contact)
 - GI Pulse delayed
 - SW Symmetrical flasher (starting pulse on)

NOTE
Time scales and functions must be set before energising the timer.
Recovery time: 200 ms.