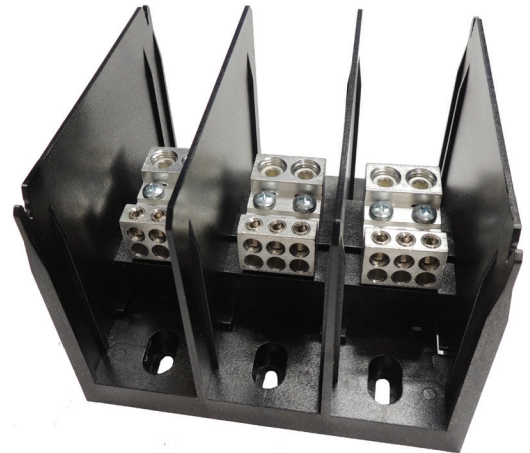


POWER DISTRIBUTION BLOCK

1343555



Wire Range

- Line: (2) 2/0 - #14 AWG (50mm² - 2.5mm²)
- Load: (6) 4 - #14 AWG (16mm² - 2.5mm²)

Electrical Ratings

- 350 Amps
- 600V per UL 1059 & CSA 22.2 No.158, class B & C requirements
- Short Circuit Current Rating (SCCR): See SCCR Section for Specifications
- CU7AL - 75°C connector terminal rating with copper or aluminum wire
- Factory & Field Wiring

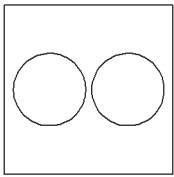
Agency Compliance

- UL Listed, Investigated to UL 1953, File QPOS7.E309401

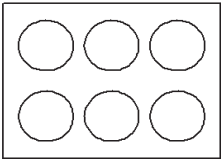
Material Information

- Insulator base:
 - Thermoplastic
 - Flammability rating of insulator base UL94V0
 - Insulator base temperature rating: -40°C to 125°C (UL RTI)
- Connector: aluminum, tin plated
- Line terminal set screws: aluminum, tin plated
- Load terminal set screws: steel, nickel plated
- Connector mounting screws: steel, zinc plated
- RoHS compliant

Termination Specifications

| Line Side | Wire Size (CU Stranded) | Torque | Wires / Terminal | Wire Class (UL) ¹ |
|---|----------------------------|-----------------------|---------------------|------------------------------|
|  | 2/0 - 1/0 | 13.6 N·m (120 lbf·in) | 1 | B, C |
| | 1 - 6 | 13.6 N·m (120 lbf·in) | 1 | B, C, G, H, I (DLO) |
| | 8 | 4.5 N·m (40 lbf·in) | 1 | B, C, G, H, I (DLO) |
| | 10 - 14 | 4 N·m (35 lbf·in) | 1 | B, C, G, H, I (DLO) |

- Solid copper wire range: #10-14 AWG
- Aluminum wire range: 2/0 - #6 stranded
- Wire strip length: line side tap - 11/16 in. (18mm)
- Terminal screw drive: 3/16 in. hex

| Load Side | Wire Size (CU Stranded) | Torque | Wires / Terminal | Wire Class (UL) ¹ |
|---|----------------------------|-------------------|---------------------|------------------------------|
|  | 4 | 4 N·m (35 lbf·in) | 1 | B, C |
| | 6 - 8 | 4 N·m (35 lbf·in) | 1 | B, C, G, H, I (DLO) |
| | 10 | 4 N·m (35 lbf·in) | 1-2 ² | B, C, G, H, I (DLO) |
| | 12 - 14 | 4 N·m (35 lbf·in) | 1-4 | B, C |
| | | | 1-2 ² | G, H, I (DLO) |

- Solid copper wire range: #10 - 14 AWG
- Aluminum wire range: #4 - #6 stranded
- Wire strip length:
 - top row: 3/8 in. (10mm)
 - bottom row: 3/4 in. (19mm)
- Terminal screw drive: 1/8 in. hex

¹ For information on copper stranded wire classes please visit:
<http://www.marathonsp.com/flexible-stranded-wire.php>

² Multiple wire ratings apply to class B, C & I

Short Circuit Current Ratings (SCCR)

- The suitable conductor ranges are limited to the table values only for achieving the SCCR in excess of the default rating of 10,000A.
- Other conductor combinations within the “Terminal Specifications” noted are suitable for achieving a SCCR of 10,000A (the default rating of terminal blocks).
- Enclosure size – Investigated with a minimum 16x12x6 enclosure. Use in smaller enclosures is subject to end use evaluation.

SCCR With Fuses

| Wire Class | Suitable Conductors | | Max Overcurrent Protection Fuse Required Amp Rating / Class | | | | | | SCCR RMS Sym. Amps 600V. Max |
|---------------|---------------------|--------|--|-----|-----|-----|----|----|---------------------------------|
| | Line | Load | J | T | RK1 | RK5 | G | CC | |
| B, C | 2/0 - 2 | 4 - 8 | 400 | 400 | 400 | 100 | 60 | 30 | 100,000 |
| B, C | 2/0 - 6 | 4 - 10 | 200 | 200 | 200 | 100 | 60 | 30 | 100,000 |
| G, H, I (DLO) | 1 - 6 | 6 - 10 | 150 | 150 | 100 | 30 | 60 | 30 | 100,000 |
| (*) | 2/0 - 14 | 4 - 14 | None | | | | | | 10,000 |

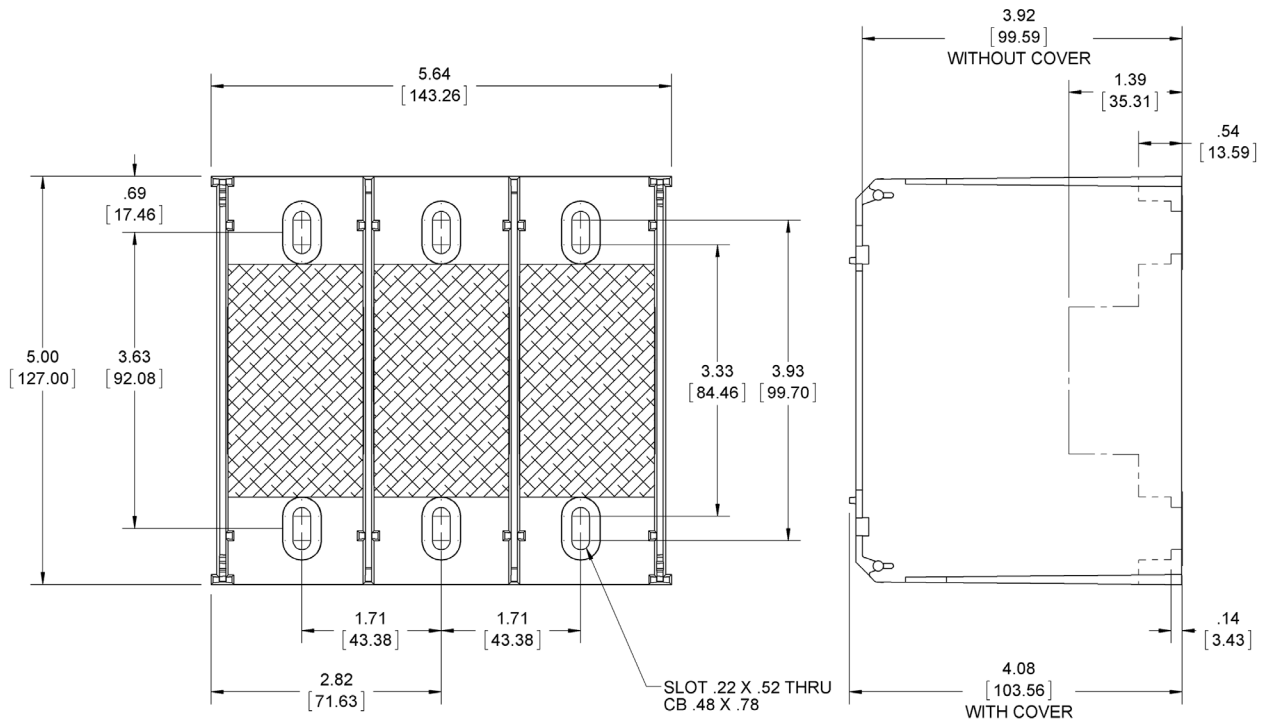
* Any wire class evaluated (see terminal specification section)

Installation & Accessories

- Mounting (Panel):
 - For use with #10 fastener. (#8 washer recommended with SHCS)
 - Mounting torque to be determined in end use application not to exceed 30 in lbs (3.4 N.m)
- Cover:
 - Snap on hinge cover available upon request
 - Catalog number: CH1343
 - Cover is back thermoplastic

09/14/2018

Drawing



09/14/2018