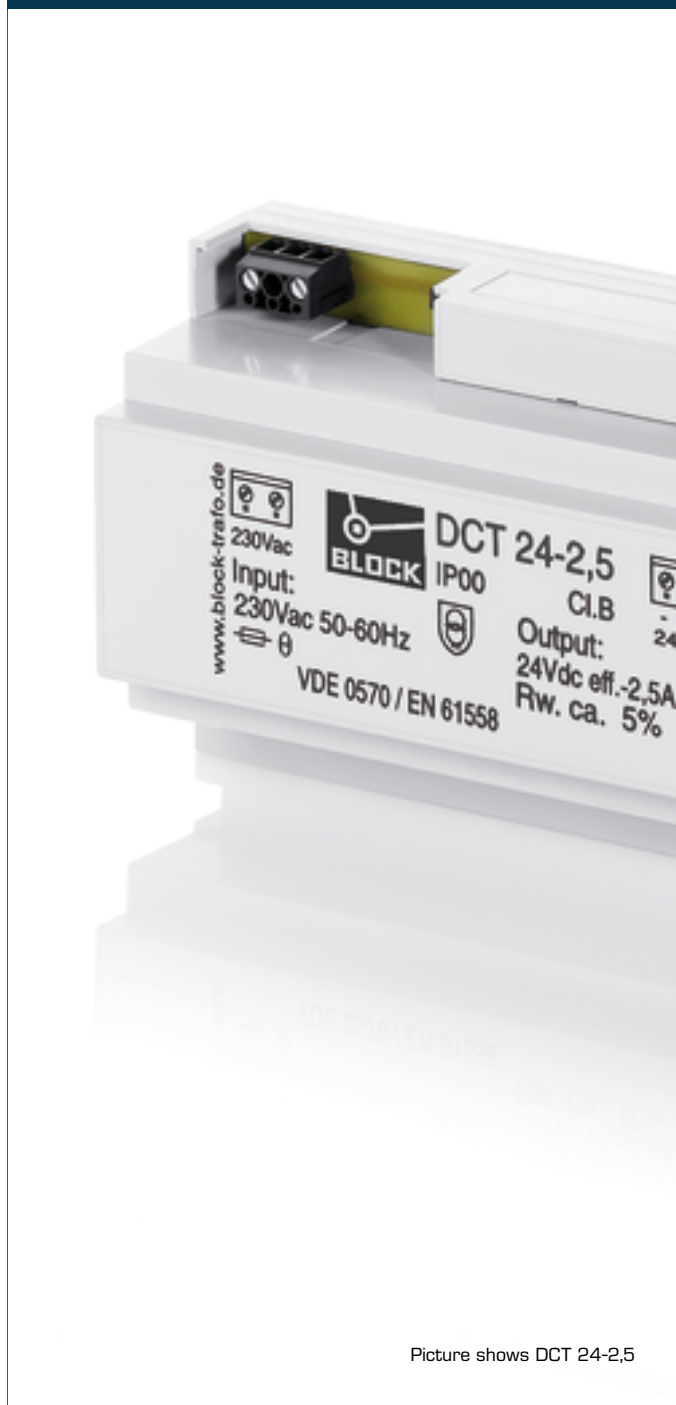


Single-phase, non-stabilized DC power supply **DCT 24-2,5**



Picture shows DCT 24-2,5

Advantages

Thermal fuse in the input and a fuse protection for the output

Separate windings

Capacitor switching at the output

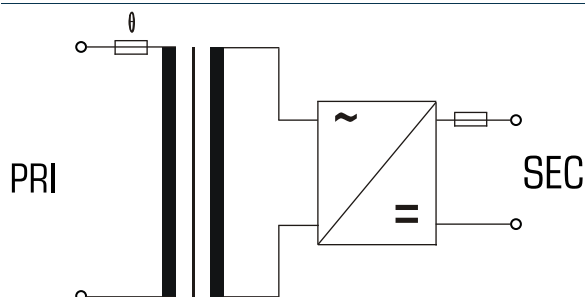
Permanent corrosion protection, high insulation value and maximum electrical reliability thanks to XtraDenseFill resin encapsulation

Robust plastic housing for rail mounting, e.g. in consumer units or meter mounting boards

Applications

Robust DC power supply is concentrated on the core task of voltage and power supply. Flat step profile optimized for installation in control panels in building automation.

Sample application



Standards



Non-stabilised dc power supply / Safety isolating transformer to VDE 0570 part 2-6, EN 61558-2-6, IEC 61558-2-6

Approvals

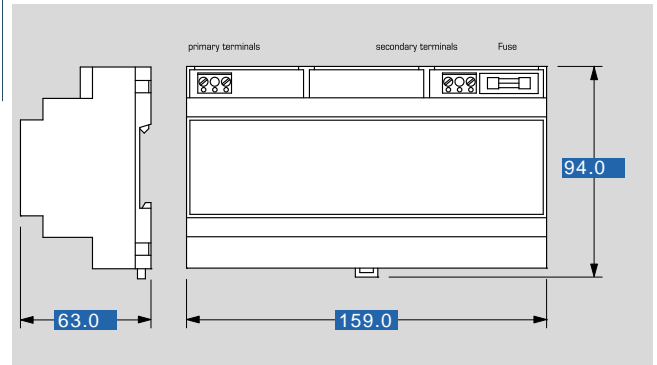


Single-phase, non-stabilized DC power supply

DCT 24-2,5

Type		DCT 24-2,5
Electrical data	Input	
	Input rated voltage	230 Vac
	Rated frequency	50 - 60 Hz
	Output	
	Output rated voltage	24 Vdc
	Power	60.00 W
	Output rated current	2.50 A
	Ripple factor	≤5 %
	Environment	
	Type of cooling	self-cooling
	Ambient temperature max.	+25 °C
	Safety and protection	
	Insulation class	B
Protection index	IP 00	
Safety class (prepared)	II	
Type	Resin encapsulated transformer	
Short circuit strength	short-circuit, proof	
Order numbers		
Order Number	DCT 24-2,5	

Type		DCT 24-2,5
Mechanical data	Terminal and mounting	
	Fixing method	DIN Rail system TS35
	Terminals	Screw-type terminals
	Measures and weights	
	Weight	1.93 kg



Subject to change.