

**PLEASE CHECK WWW.MOLEX.COM FOR LATEST PART INFORMATION**

**Part Number:** [0015040219](#)  
**Status:** **Active**  
**Overview:** KK® Interconnect System - Molex  
**Description:** 3.96mm Pitch KK Polarizing Key without Boss

**Documents:**

[3D Model](#) [RoHS Certificate of Compliance \(PDF\)](#)  
[Drawing \(PDF\)](#)

**General**

Product Family	Accessories
Series	<u>2560</u>
Component Type	Polarizing Key
Overview	<u>KK® Interconnect System - Molex</u>
Product Name	KK
UPC	800753605404

**Physical**

Circuits (Loaded)	1
Circuits (maximum)	1
Color - Resin	Natural
Lock to Mating Part	No
Material - Resin	Nylon
Net Weight	0.037/g
Packaging Type	Bag

**Solder Process Data**

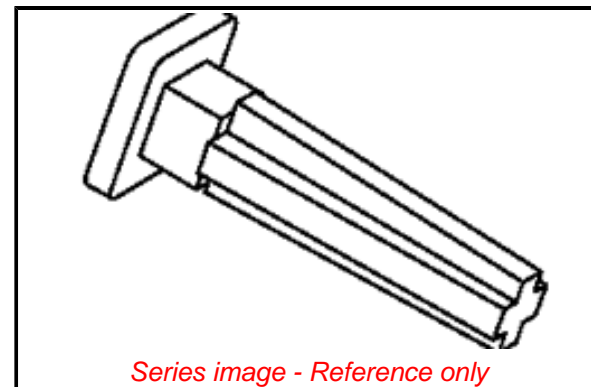
Lead-freeProcess Capability	N/A
-----------------------------	-----

**Material Info**

Engineering Number	2560-1
--------------------	--------

**Reference - Drawing Numbers**

Sales Drawing	SD-2560
---------------	---------



*Series image - Reference only*

**EU ELV**

**Not Relevant**

**EU RoHS**

**Compliant**

**REACH SVHC**

Not Contained Per -  
ED/61/2018 (27 June  
2018)

**Halogen-Free**

**Status**

**Low-Halogen**

For more information, please visit [Contact US](#)

China ROHS

ELV

RoHS Phthalates

**China RoHS**

Green Image

Not Relevant

Not Contained

**Search Parts in this Series**

[2560](#) Series

**Use With**

[2139](#) KK Crimp Terminal. [2145](#) KK PC  
Board Connector