

PLEASE CHECK WWW.MOLEX.COM FOR LATEST PART INFORMATION

Part Number: **0190020032**
Status: **Active**
Overview: Standard Quick-Disconnect Terminals
Description: Avikrimp Fully Insulated Quick Disconnect, Female, for 14-16 AWG Wire, Mylar Tape

Documents:

3D Model	Product Specification PS-19902-014-001 (PDF)
Drawing (PDF)	Product Specification PS-19902-015-001 (PDF)
Product Specification PS-19902-011-001 (PDF)	RoHS Certificate of Compliance (PDF)

Agency Certification

CSA	LR18689
UL	E79133

General

Product Family	Quick Disconnects
Series	<u>19002</u>
Crimp Quality Equipment	Yes
Insulated	Fully
Overview	<u>Standard Quick-Disconnect Terminals</u>
Product Name	Avikrimp
Type	Quick Disconnect
UPC	800753027480

Physical

Barrel Type	Closed
Color - Resin	Blue
Flammability	94V-2
Gender	Female
Glow-Wire Capable	Yes
Insulation	Nylon (PA)
Lock to Mating Part	None
Material - Metal	Brass
Material - Plating Mating	Tin
Material - Plating Termination	Tin
Net Weight	0.984/g
Orientation	Straight
Packaging Type	Adhesive Tape on Reel
Polarized to Mating Part	No
Tab Thickness	0.81mm
Tab Width	4.75mm
Temperature Range - Operating	-65° to +105°C
Wire Insulation Diameter	3.94mm max.
Wire Size AWG	14, 16
Wire Size mm ²	1.30-2.00

Electrical

Voltage - Maximum	300V
-------------------	------

Solder Process Data

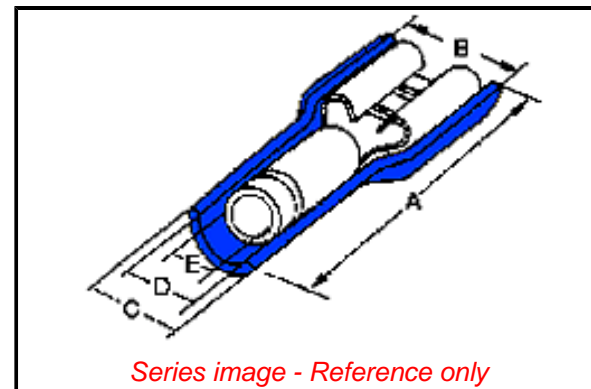
Lead-free Process Capability	N/A
------------------------------	-----

Material Info

Engineering Number	BB-5273T
--------------------	----------

Reference - Drawing Numbers

Product Specification	PS-19902-011-001, PS-19902-014-001, PS-19902-015-001
-----------------------	---



EU ELV

Not Relevant

EU RoHS

Compliant

REACH SVHC

Not Contained Per
-ED/01/2017 (12
January 2017)

Halogen-Free

Status

Low-Halogen

Need more information on product environmental compliance?

Email productcompliance@molex.com
Please visit the [Contact Us](#) section for any non-product compliance questions.

China ROHS

ELV

Prop65

RoHS Phthalates

Green Image

Not Relevant

Missing Compliance
Data

Not Contained

Search Parts in this Series

19002 Series

This document was generated on 09/10/2018

PLEASE CHECK WWW.MOLEX.COM FOR LATEST PART INFORMATION