

PLEASE CHECK WWW.MOLEX.COM FOR LATEST PART INFORMATION

Part Number: **0351551100**
Status: **Active**
Description: 2.50mm Pitch Wire-to-Board Housing, Positive Lock, Natural, 11 Circuits

Documents:

| | |
|--------------------------------------------------------------|----------------------------------------------------------------|
| 3D Model | Product Specification PS-68143-001-001 (PDF) |
| Drawing (PDF) | Packaging Specification 351550200-100 (PDF) |
| Product Specification PS-35155-001-001 (PDF) | Packaging Specification PK-35155-001-001 (PDF) |
| Product Specification PS-35155-002-001 (PDF) | RoHS Certificate of Compliance (PDF) |
| Product Specification PS-35184-001-001 (PDF) | |

Agency Certification

| | |
|-----|---------|
| CSA | LR19980 |
| UL | E29179 |

General

| | |
|----------------|-----------------------|
| Product Family | Crimp Housings |
| Series | 35155 |
| Application | Signal, Wire-to-Wire |
| Product Name | N/A |
| UPC | 800753014138 |

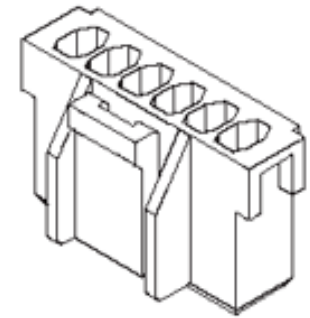
Physical

| | |
|-------------------------------|----------------|
| Breakaway | No |
| Circuits (maximum) | 11 |
| Color - Resin | Natural |
| Flammability | 94V-0 |
| Gender | Receptacle |
| Glow-Wire Capable | No |
| Keying to Mating Part | None |
| Lock to Mating Part | Yes |
| Material - Resin | Polyester |
| Net Weight | 1.093/g |
| Number of Rows | 1 |
| Packaging Type | Bag |
| Panel Mount | No |
| Pitch - Mating Interface | 2.50mm |
| Pitch - Termination Interface | 2.50mm |
| Temperature Range - Operating | -40° to +105°C |

Material Info

Reference - Drawing Numbers

| | |
|-------------------------|---------------------------------------------------------------------------|
| Packaging Specification | 351550200-100, PK-35155-001-001 |
| Product Specification | PS-35155-001-001, PS-35155-002-001, PS-35184-001-001, PS-68143-001-001 |
| Sales Drawing | SD-35155-**0* |



Series image - Reference only

EU ELV

Not Relevant

EU RoHS

Compliant

REACH SVHC

Not Contained Per -
ED/61/2018 (27 June
2018)

Halogen-Free

Status

Not Low-Halogen

For more information, please visit [Contact US](#)

China ROHS

ELV

RoHS Phthalates

China RoHS

Green Image

Not Relevant

Not Contained

Search Parts in this Series

[35155 Series](#)

Mates With

[35312](#) Vertical Shrouded Header, [35184](#)
Wire-to-Wire Plug Housing

Use With

[5103](#) SPOX Crimp Terminal