

**PLEASE CHECK WWW.MOLEX.COM FOR LATEST PART INFORMATION**

**Part Number:** [0351800400](#)  
**Status:** **Active**  
**Description:** 1.78mm Tab Multiple Wire-to-Wire Plug Housing with Mounting Ears, 4 Circuits, Vertical, Polyester UL94V-0, Natural

**Documents:**

[3D Model](#) [Packaging Specification PK-35180-001-001 \(PDF\)](#)  
[Drawing \(PDF\)](#) [RoHS Certificate of Compliance \(PDF\)](#)  
[Product Specification 351800400-001 \(PDF\)](#)

**Agency Certification**

CSA LR19980  
 UL E29179

**General**

Product Family Crimp Housings  
 Series [35180](#)  
 Application Power, Wire-to-Wire  
 Comments Polarized to Mating Part, Positive Lock  
 Product Name VersaBlade  
 UPC 800754249805

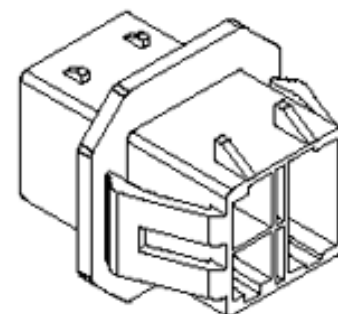
**Physical**

Breakaway No  
 Circuits (maximum) 4  
 Color - Resin Natural  
 Flammability 94V-0  
 Gender Plug  
 Glow-Wire Capable No  
 Keying to Mating Part None  
 Lock to Mating Part Yes  
 Material - Resin Polyester  
 Net Weight 5.866/g  
 Number of Rows 2  
 Packaging Type Bag  
 Panel Mount Yes  
 Pitch - Mating Interface 8.70mm  
 Pitch - Termination Interface 8.70mm  
 Polarized to Mating Part Yes  
 Stackable No  
 Temperature Range - Operating -40° to +120°C

**Material Info**

**Reference - Drawing Numbers**

Packaging Specification PK-35180-001-001  
 Product Specification 351800400-001  
 Sales Drawing SD-35180-040\*



*Series image - Reference only*

**EU ELV**

**Not Relevant**

**EU RoHS**

**Compliant**

**REACH SVHC**

Not Contained Per -  
 ED/61/2018 (27 June  
 2018)

**Halogen-Free**

**Status**

**Not Low-Halogen**

For more information, please visit [Contact US](#)

China ROHS

ELV

RoHS Phthalates

**China RoHS**

Green Image

Not Relevant

Not Contained

**Search Parts in this Series**

[35180](#) Series

**Mates With**

Receptacle Housing [35181](#) , Receptacle  
 Housing [35965](#)

**Use With**

Crimp Terminal [35745](#) , [35746](#) , [35747](#) ,  
[35748](#) , TPA [35182](#)