

**PLEASE CHECK WWW.MOLEX.COM FOR LATEST PART INFORMATION**

**Part Number:** [0359650220](#)  
**Status:** **Active**  
**Description:** 1.78mm Tab Multiple Wire-to-Wire Female Housing, 2 Circuits, Type C, Natural

**Documents:**

<a href="#">3D Model</a>	<a href="#">Product Specification 351800600-001 (PDF)</a>
<a href="#">Drawing (PDF)</a>	<a href="#">Packaging Specification PK-35965-001-001 (PDF)</a>
<a href="#">Product Specification 351800400-001 (PDF)</a>	<a href="#">RoHS Certificate of Compliance (PDF)</a>

**Agency Certification**

CSA	LR19980
UL	E29179

**General**

Product Family	Crimp Housings
Series	<a href="#">35965</a>
Application	Power, Wire-to-Wire
Product Name	N/A
UPC	756054284926

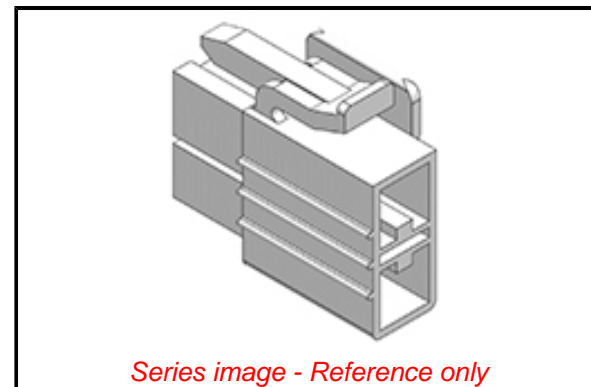
**Physical**

Circuits (maximum)	2
Color - Resin	Natural
Flammability	94V-0
Gender	Receptacle
Glow-Wire Capable	No
Lock to Mating Part	Yes
Net Weight	1.790/g
Number of Rows	2
Packaging Type	Bag
Panel Mount	No
Pitch - Mating Interface	8.00mm
Pitch - Termination Interface	8.00mm
Stackable	No
Temperature Range - Operating	-40° to +120°C

**Material Info**

**Reference - Drawing Numbers**

Packaging Specification	PK-35965-001-001
Product Specification	351800400-001, 351800600-001
Sales Drawing	359659220-000



**EU ELV**

**Not Relevant**

**EU RoHS**

**Compliant**

**REACH SVHC**

Not Contained Per -  
ED/61/2018 (27 June  
2018)

**Halogen-Free**

**Status**

**Not Low-Halogen**

For more information, please visit [Contact US](#)

China ROHS

ELV

RoHS Phthalates

**China RoHS**

Green Image

Not Relevant

Not Contained

**Search Parts in this Series**

[35965](#) Series

**Mates With**

Male Housing [35180](#)

**Use With**

VersaBlade Crimp Terminal [35748](#) , TPA  
[35965](#)