

PLEASE CHECK WWW.MOLEX.COM FOR LATEST PART INFORMATION

Part Number: [5005930400](#)
Status: **Active**
Description: 2.50mm Pitch Wire-to-Wire Plug Housing, Single Row, 4 Circuits

Documents:

[3D Model](#) [Packaging Specification 5005939200-200 \(PDF\)](#)
[Drawing \(PDF\)](#) [RoHS Certificate of Compliance \(PDF\)](#)
[Product Specification PS-500592-001-001 \(PDF\)](#)

General

Product Family Crimp Housings
 Series [500593](#)
 Application Signal, Wire-to-Wire
 Product Name N/A
 UPC 756054725023

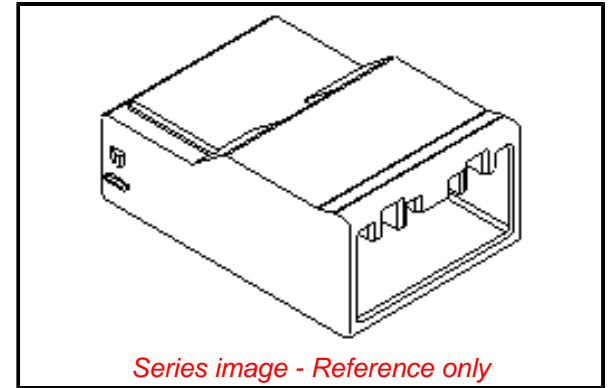
Physical

Circuits (maximum) 4
 Color - Resin Natural
 Gender Plug
 Glow-Wire Capable No
 Material - Resin Polyester
 Net Weight 1514.800/mg
 Number of Rows 1
 Packaging Type Bag
 Panel Mount No
 Pitch - Mating Interface 2.50mm
 Stackable No
 Temperature Range - Operating -40° to +85°C

Material Info

Reference - Drawing Numbers

Packaging Specification 5005939200-200
 Product Specification PS-500592-001-001
 Sales Drawing SD-500593-001



EU ELV

Not Relevant

EU RoHS

Compliant

REACH SVHC

Not Contained Per -
 ED/61/2018 (27 June
 2018)

Halogen-Free

Status

Not Low-Halogen

For more information, please visit [Contact US](#)

China ROHS

ELV

RoHS Phthalates

China RoHS

Green Image

Not Relevant

Not Contained

Search Parts in this Series

[500593](#) Series

Mates With

[500592](#)

Use With

[50398](#) , [500817](#)