

PLEASE CHECK WWW.MOLEX.COM FOR LATEST PART INFORMATION

Part Number: [5011902027](#)
Status: **Active**
Overview: Pico-Clasp Wire-to-Board Connectors
Description: 1.00mm Pitch Pico-Clasp Wire-to-Board Header, Surface Mount, Dual Row, Vertical, 0.10µm Gold Plated, with Inner Positive Lock, 20 Circuits

Documents:

[3D Model](#) [Application Specification 5011890000-A01 \(PDF\)](#)
[Drawing \(PDF\)](#) [RoHS Certificate of Compliance \(PDF\)](#)
[Application Specification 5011890000-A00 \(PDF\)](#)

Agency Certification

UL E29179

General

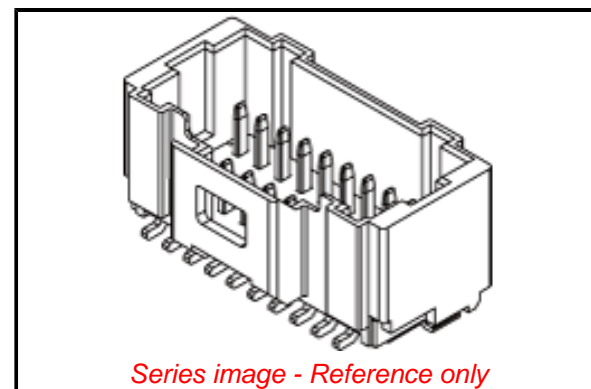
Product Family PCB Headers
 Series [501190](#)
 Application Signal, Wire-to-Board
 Comments Without Pick-and-Place Tape
 Overview [Pico-Clasp Wire-to-Board Connectors](#)
 Product Name Pico-Clasp
 UPC 822350003643

Physical

Breakaway No
 Circuits (Loaded) 20
 Circuits (maximum) 20
 Color - Resin Natural
 Durability (mating cycles max) 30
 First Mate / Last Break No
 Flammability 94V-0
 Glow-Wire Capable No
 Guide to Mating Part No
 Keying to Mating Part None
 Lock to Mating Part Yes
 Material - Metal Phosphor Bronze
 Material - Plating Mating Gold
 Material - Plating Termination Gold
 Material - Resin Nylon
 Net Weight 315.600/mg
 Number of Rows 2
 Orientation Vertical
 PCB Locator No
 PCB Retention Yes
 Packaging Type Embossed Tape on Reel
 Pitch - Mating Interface 1.00mm
 Plating min - Mating 0.102µm
 Plating min - Termination 0.102µm
 Polarized to Mating Part Yes
 Polarized to PCB Yes
 Stackable No
 Temperature Range - Operating -40° to +105°C
 Termination Interface: Style Surface Mount

Electrical

Current - Maximum per Contact 1.0A
 Voltage - Maximum 50V AC (RMS)/DC



Series image - Reference only

EU ELV

Not Relevant

EU RoHS

Compliant

REACH SVHC

Not Contained Per -
 ED/61/2018 (27 June
 2018)

Halogen-Free

Status

Not Low-Halogen

For more information, please visit [Contact US](#)

China ROHS

ELV

RoHS Phthalates

China RoHS

Green Image

Not Relevant

Not Contained

Search Parts in this Series

[501190 Series](#)

Mates With

[Pico-Clasp Female Housing 501189](#)

Material Info

Reference - Drawing Numbers

Application Specification
Sales Drawing

5011890000-A00, 5011890000-A01
SD-501190-003, SD-501190-004

This document was generated on 10/15/2018

PLEASE CHECK WWW.MOLEX.COM FOR LATEST PART INFORMATION