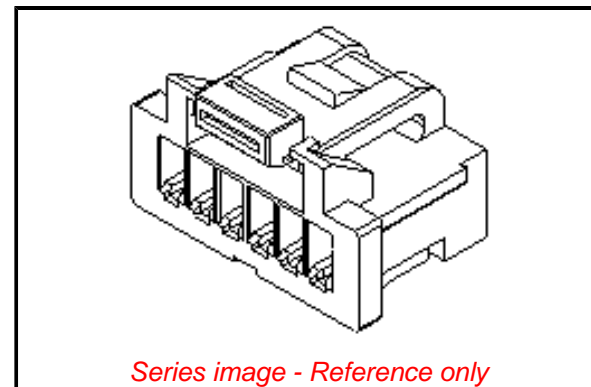


PLEASE CHECK WWW.MOLEX.COM FOR LATEST PART INFORMATION

Part Number: [5013301100](#)
Status: **Active**
Overview: Pico-Clasp Wire-to-Board Connectors
Description: 1.00mm Pitch Pico-Clasp Wire-to-Board Female Housing, Single Row, with Positive Lock, 11 Circuits

Documents:

3D Model	Product Specification PS-501568-001-001 (PDF)
Drawing (PDF)	Product Specification PS-504449-001-001 (PDF)
Product Specification 5013300000-PS-000 (PDF)	Packaging Specification SPK-501330-001-001 (PDF)
Product Specification PS-501331-001-001 (PDF)	RoHS Certificate of Compliance (PDF)



Agency Certification

UL E29179

General

Product Family	Crimp Housings
Series	501330
Application	Signal, Wire-to-Board
Overview	Pico-Clasp Wire-to-Board Connectors
Product Name	Pico-Clasp
UPC	822348529544

Physical

Circuits (maximum)	11
Color - Resin	White
Gender	Receptacle
Glow-Wire Capable	No
Lock to Mating Part	Yes
Material - Resin	Nylon
Net Weight	94.000/mg
Number of Rows	1
Packaging Type	Bag
Panel Mount	No
Pitch - Mating Interface	1.00mm
Polarized to Mating Part	Yes
Stackable	No
Temperature Range - Operating	-40° to +105°C

Electrical

Current - Maximum per Contact 1.0A

Material Info

Reference - Drawing Numbers

Packaging Specification	SPK-501330-001-001
Product Specification	5013300000-PS-000, PS-501331-001-001, PS-501568-001-001, PS-504449-001-001
Sales Drawing	SD-501330-002

EU ELV

Compliant

EU RoHS

Compliant

REACH SVHC

Not Contained Per - ED/61/2018 (27 June 2018)

Halogen-Free

Status

Low-Halogen

For more information, please visit [Contact US](#)

China ROHS

ELV

RoHS Phthalates

China RoHS

Green Image

Compliant

Not Contained

Search Parts in this Series

[501330](#) Series

Mates With

[501331](#) , [203556](#) , [203557](#) Vertical PCB Header
 [501568](#) , [203558](#) , [203559](#) Right Angle PCB Header

Use With

[501334](#) Tin Crimp Terminal
 [501193](#) Gold Crimp Terminal