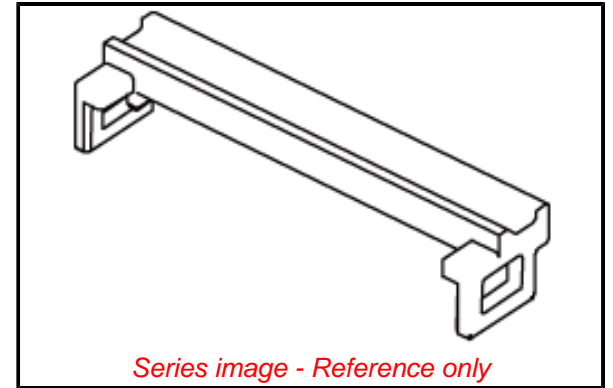


PLEASE CHECK WWW.MOLEX.COM FOR LATEST PART INFORMATION

Part Number: **5017845009**
Status: **Active**
Description: 0.50mm Pitch FFC-to-Board Plug Jacket Cover, 50 Circuits

Documents:

3D Model	Product Specification PS-501864-002-001 (PDF)
Drawing (PDF)	Application Specification 5017832000-A00 (PDF)
Product Specification PS-501786-001-001 (PDF)	Packaging Specification SPK-501784-001-001 (PDF)
Product Specification PS-501786-002-001 (PDF)	RoHS Certificate of Compliance (PDF)
Product Specification PS-501864-001-001 (PDF)	



Agency Certification

UL E29179

General

Product Family	Accessories
Series	501784
Comments	Requires a custom FFC with notches
Component Type	Jacket Cover
Product Name	Easy-On
UPC	822350232135

Physical

Breakaway	No
Circuits (Loaded)	50
Circuits (maximum)	50
Color - Resin	Black
Flammability	94V-0
Gender	Plug
Material - Resin	Polyester
Net Weight	162.100/mg
Packaging Type	Bag
Polarized to Mating Part	Yes
Temperature Range - Operating	-40° to +105°C

Material Info

Reference - Drawing Numbers

Application Specification	5017832000-A00
Packaging Specification	SPK-501784-001-001
Product Specification	PS-501786-001-001, PS-501786-002-001, PS-501864-001-001, PS-501864-002-001
Sales Drawing	SD-501784-001

EU ELV

Not Relevant

EU RoHS

Compliant

REACH SVHC

Not Contained Per -
ED/61/2018 (27 June
2018)

Halogen-Free

Status

Not Low-Halogen

**Need more information on product
environmental compliance?**

Email productcompliance@molex.com
Please visit the [Contact Us](#) section for any
non-product compliance questions.

China ROHS

ELV

RoHS Phthalates

China RoHS

Green Image

Not Relevant

Not Contained

Search Parts in this Series

[501784 Series](#)

Use With

[501786 FFC-to-Board Connector](#), [501864 FFC-to-Board Connector](#), [501783 Plug Jacket](#)