

**PLEASE CHECK WWW.MOLEX.COM FOR LATEST PART INFORMATION**

**Part Number:** **5023801200**  
**Status:** **Active**  
**Description:** 1.25mm Pitch CLIK-Mate Wire-to-Board Housing, Single Row, Positive Lock, 12 Circuits, White

**Documents:**

[3D Model](#) [Application Specification AS-502380-001-001 \(PDF\)](#)  
[Drawing \(PDF\)](#) [Application Specification AS-502380-002-001 \(PDF\)](#)  
[Product Specification PS-502382-001-001 \(PDF\)](#) [RoHS Certificate of Compliance \(PDF\)](#)  
[Product Specification PS-502382-002-001 \(PDF\)](#)

**General**

Product Family Crimp Housings  
Series [502380](#)  
Application Signal, Wire-to-Board  
Product Name CLIK-Mate  
UPC 822350895149

**Physical**

Breakaway No  
Circuits (maximum) 12  
Color - Resin White  
Gender Plug  
Glow-Wire Capable No  
Keying to Mating Part Yes  
Lock to Mating Part Yes  
Material - Resin Polyester  
Net Weight 297.000/mg  
Number of Rows 1  
Packaging Type Bag  
Panel Mount No  
Pitch - Mating Interface 1.25mm  
Polarized to Mating Part Yes  
Stackable No  
Temperature Range - Operating -40° to +105°C

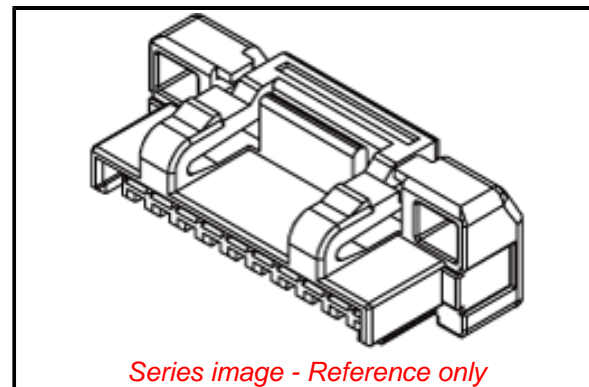
**Electrical**

Current - Maximum per Contact 1.0A

**Material Info**

**Reference - Drawing Numbers**

Application Specification AS-502380-001-001, AS-502380-002-001  
Product Specification PS-502382-001-001, PS-502382-002-001  
Sales Drawing SD-502380-001, SD-502380-002



Series image - Reference only

**EU ELV**

**Not Relevant**

**EU RoHS**

**Compliant**

**REACH SVHC**

Not Contained Per -  
ED/61/2018 (27 June  
2018)

**Halogen-Free**

**Status**

**Not Low-Halogen**

For more information, please visit [Contact US](#)

China ROHS

ELV

RoHS Phthalates

**China RoHS**

Green Image

Not Relevant

Not Contained

**Search Parts in this Series**

[502380](#) Series

**Mates With**

[502382](#) PCB Receptacle, [502386](#) PCB Receptacle

**Use With**

[502381](#) Crimp Terminal