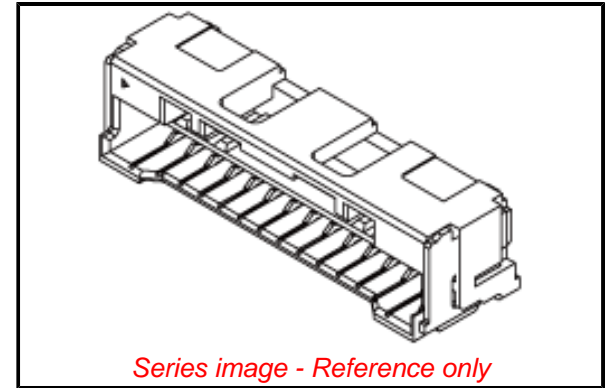


PLEASE CHECK WWW.MOLEX.COM FOR LATEST PART INFORMATION

Part Number: [5024940670](#)
Status: **Active**
Overview: [CLIK-Mate Wire-to-Board Connectors](#)
Description: 2.00mm Pitch CLIK-Mate Wire-to-Board PCB Receptacle, Single Row, Right-Angle, 6 Circuits

Documents:

3D Model	Application Specification AS-502439-002-001 (PDF)
Drawing (PDF)	Packaging Specification 5024949200-200 (PDF)
Product Specification 5024431570-000 (PDF)	RoHS Certificate of Compliance (PDF)
Application Specification AS-502439-001-001 (PDF)	



Agency Certification

UL E29179

General

Product Family	PCB Receptacles
Series	502494
Application	Signal, Wire-to-Board
Overview	CLIK-Mate Wire-to-Board Connectors
Product Name	CLIK-Mate
UPC	822350937634

Physical

Circuits (Loaded)	6
Circuits (maximum)	6
Durability (mating cycles max)	30
Glow-Wire Capable	No
Guide to Mating Part	Yes
Keying to Mating Part	Yes
Lock to Mating Part	Yes
Mated Height	6.90mm
Material - Plating Mating	Tin
Material - Plating Termination	Tin
Net Weight	779.601/mg
Number of Rows	1
Orientation	Right Angle
PCB Locator	No
PCB Retention	Yes
Packaging Type	Embossed Tape on Reel
Pitch - Mating Interface	2.00mm
Pitch - Termination Interface	2.00mm
Plating min - Mating	2.032µm
Plating min - Termination	1.016µm
Polarized to Mating Part	Yes
Polarized to PCB	Yes
Stackable	No
Surface Mount Compatible (SMC)	Yes
Temperature Range - Operating	-40° to +105°C
Termination Interface: Style	Surface Mount

Electrical

Current - Maximum per Contact	3.0A
Voltage - Maximum	250V AC (RMS)/DC

Material Info

Reference - Drawing Numbers

EU ELV

Not Relevant

EU RoHS

Compliant

REACH SVHC

Not Contained Per -
ED/61/2018 (27 June
2018)

Halogen-Free

Status

Not Low-Halogen

For more information, please visit [Contact US](#)

China ROHS

ELV

RoHS Phthalates

China RoHS

Green Image

Not Relevant

Not Contained

Search Parts in this Series

[502494](#) Series

Mates With

[502439](#) Crimp Housing

Application Specification
Packaging Specification
Product Specification
Sales Drawing

AS-502439-001-001, AS-502439-002-001
5024949200-200
5024431570-000
5024941509-000, 5024941570-000

This document was generated on 10/22/2018

PLEASE CHECK WWW.MOLEX.COM FOR LATEST PART INFORMATION